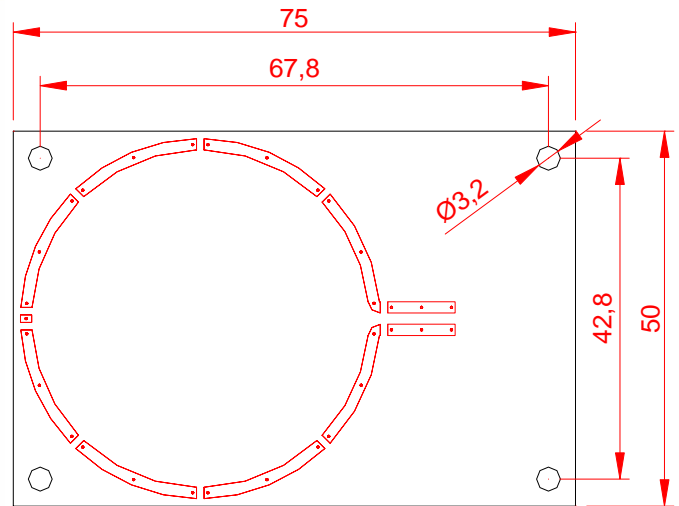
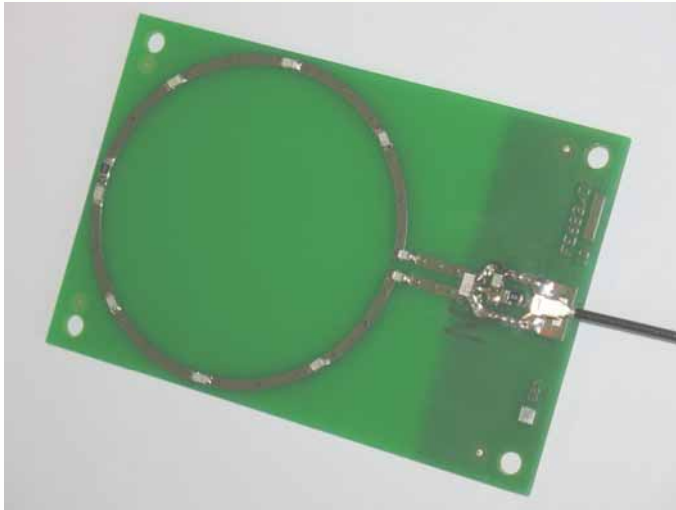




## UHF Proximity Range Antenna ID ISC.ANT.U75/50



### Technical Data

#### Variants:

- EU ID ISC.ANT.U75/50-EU
- FCC ID ISC.ANT.U75/50-FCC

Dimensions: 75 mm x 50 mm x 3 mm

#### Frequency:

- EU 865 ... 868 MHz
- FCC 902 ... 928 MHz

Gain: -20 dBi

#### SWR:

- EU < 1,5:1
- FCC < 2,0:1

#### Read Range<sup>1</sup>:

- Far Field Tags ~ 20 cm
- Near Field Tags ~ 4 cm

Connector: U.FL male (Hirose)

Power: max. 300 mW

<sup>1</sup> Max. Read Range with ID ISC.MU02.02 (Full Power)

FEIG ELECTRONIC reserves the right to change specification without notice at any time.  
Last update: May 2010