

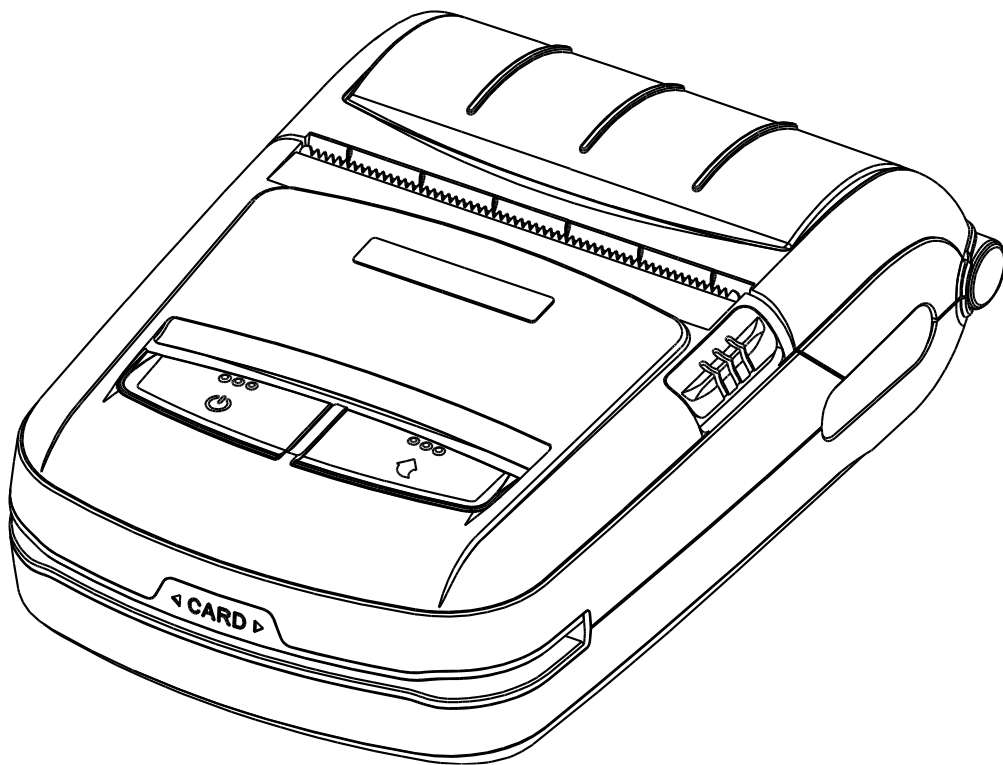
**BIXOLON®**

**User's Manual**

# **SPP-R210 Series**

**MOBILE PRINTER**

**Rev. 1.06**



<http://www.bixolon.com>

**■ Table of Contents**

**※ Manual Information & Usage Precautions .....3**

**1. Content Confirmation..... 10**

**2. Product Part Names ..... 11**

**3. Installation & Usage ..... 12**

    3-1 Battery Installation ..... 12

    3-2 Battery Charging..... 12

        3-2-1 Using Battery Charger ..... 12

        3-2-2 Using Single Battery Cradle (Optional) ..... 13

        3-2-3 Using Cigarette Lighter Charger (Optional) ..... 13

        3-2-4 Using Single Docking Cradle (Optional) ..... 14

        3-2-5 Using Quad Battery Charger / Quad Docking Cradle (Optional) ..... 14

    3-3 Paper Installation ..... 16

    3-4 Using Belt Clip..... 17

    3-5 Using Belt Strap (Optional) ..... 18

    3-6 Using Case (Optional)..... 19

    3-7 Using Protective Case (Optional) ..... 20

    3-8 Using Vehicle Holder (Optional) ..... 21

    3-9 Using Control Panel ..... 22

    3-10 Using MSR ..... 23

    3-11 Using SCR..... 23

**4. Self-Test ..... 24**

**5. Black mark paper printing ..... 27**

    5-1 Black mark Function Setting..... 27

    5-2 Auto Calibration Function ..... 27

**6. iOS MFi Mode Setting (Optional)..... 28**

**7. Peripherals Connection ..... 29**

    7-1 Bluetooth® Connection ..... 29

    7-2 Wireless LAN ..... 29

    7-3 Interface Cable Connection..... 29

**8. Printer Cleaning ..... 30**

**9. Appendix ..... 31**

    9-1 Specifications..... 31

    9-2 Certification ..... 33

    9-3 Label Types..... 34

### ■ Manual Information

This user's manual contains basic information for product usage as well as for emergency measures that may be required.

※ The following separate manuals provide more detailed content on various technological issues and areas.

#### **1. Windows CE Module Program Manual**

This manual provides information on the dll files required for Windows CE application program development.

#### **2. Windows Driver Manual**

This manual provides information on installation and main functions of the Windows driver for this product.

#### **3. Unified Utility Manual**

This manual provides information on the software used to select functions of this product, modify operation conditions, and so forth.

- VMSM (Virtual Memory Switch Manager)
  - As a function that sets the basic operation conditions of the product, the use of non-hardware control, software-based virtual switches is explained.
- NV Image Download Manager
  - The downloading of image files, such as logos, intended for repetitive printing is explained.
- Firmware Download Manager
  - The downloading and installation of the latest Firmware, which is subject to ongoing modification for the enhancement of product performance, are explained.

#### **4. Bluetooth & Wireless Manual**

- Bluetooth
  - This manual describes how to connect terminals (PDAs, PCs, etc.) with Bluetooth functionality.
- Wireless LAN
  - This manual describes how to connect wireless LAN in infrastructure or ad-hoc mode.

#### **5. Commands Manual**

This manual provides information on the protocol and functions of the control commands that can be used with this product.

#### **6. Code Pages Manual**

This manual provides information on each character code page that can be used with this product.

We at BIXOLON maintain ongoing efforts to enhance and upgrade the functions and quality of all our products. In following, product specifications and/or user manual content may be changed without prior notice.

**■ Safety Precautions**

In using the present appliance, please keep the following safety regulations in order to prevent any hazard or material damage.

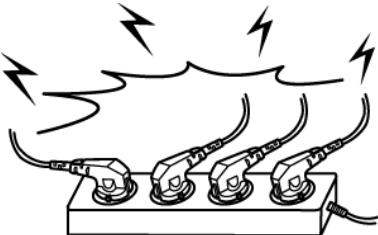


**WARNING**

Violating following instructions can cause serious injury or death.

**Do not plug several products into one multi-outlet.**

- This can provoke over-heating and a fire.
- If the plug is wet or dirty, dry or wipe it before usage.
- If the plug does not fit perfectly in the outlet, do not plug in.
- Be sure to use only standardized multi-outlets.



**You must use only the supplied adapter.**

- It is dangerous to use other adapters.



**Do not pull the cable to unplug.**

- This can damage the cable, which is the origin of a fire or a breakdown of the printer.



**Keep the plastic bag out of children's reach.**

- If not, a child may put the bag on his head.



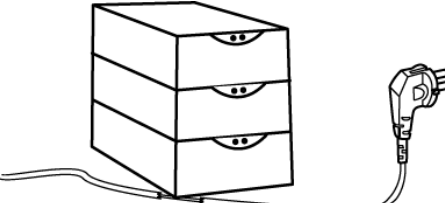
**Do not plug in or unplug with your hands wet.**

- You can be electrocuted.



**Do not bend the cable by force or leave it under any heavy object.**

- A damaged cable can cause a fire.





**CAUTION**

Violating following instructions can cause slight wound or damage the appliance.

**If you observe a strange smoke, odor or noise from the printer, unplug it before taking following measures.**

- Switch off the printer and unplug the set from the mains.
- After the disappearance of the smoke, call your dealer to repair it.

**TO UNPLUG**



**Keep the desiccant out of children's reach.**

- If not, they may eat it.

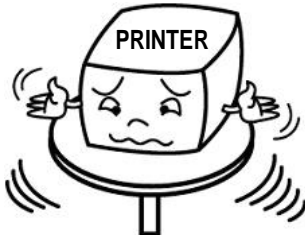
**PROHIBIT**



**Install the printer on the stable surface.**

- If the printer falls down, it can be broken and you can hurt yourself.

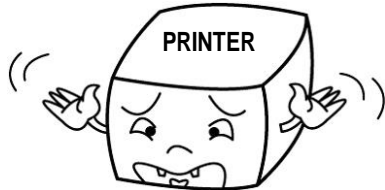
**PROHIBIT**



**Use only approved accessories and do not try to disassemble, repair or remodel it for yourself.**

- Call your dealer when you need these services.
- Do not touch the blade of the paper tear bar (or auto cutter).

**DISASSEMBLING PROHIBITED**



**Do not let water or other foreign objects in the printer.**

- If this happened, switch off and unplug the printer before calling your dealer.

**PROHIBIT**



**Do not use the printer when it is out of order. This can cause a fire or an electrocution.**

- Switch off and unplug the printer before calling your dealer.

**TO UNPLUG**



### ■ Battery Safety Precautions

**Make sure to review the user manual carefully prior to product use.**

Neglecting to heed the following instructions can result in battery overheating, combustion, explosion, damage and/or decline in performance and product life.

#### **⚠ Danger**

1. Do not allow water, seawater or moisture to enter or leak into the battery. If the safety mechanism within the battery becomes oxidized, the battery may overcharge with abnormal electrical current and/or voltage so that it may overheat, ignite and/or explode.
2. Do not place the battery near open flames or heating devices, such as stoves. Exposure to excessive heat may cause damage to the resin case and/or insulating materials, thus causing a short circuit within the battery that may result in battery overheating, combustion, and/or explosion.
3. Charge the battery only with the exclusive charger specified (optionally provided) by BIXOLON. The use of an incorrect charger may result in overheating, combustion and/or explosion of the battery.
4. Charging the battery with a modified charger may result in overheating, combustion and/or explosion of the battery by abnormal chemical reaction caused by incorrect polarity.
5. Do not directly connect the battery to an electrical power outlet not specified by BIXOLON or an automobile's cigarette lighter jack. Doing so may result in overheating, combustion and/or explosion of the battery by over-current and/or over-voltage.
6. Do not heat the battery or place it near a fire. Doing so may melt insulation materials, damage the safety mechanism/equipment, and/or ignite the electrolytic solution. There is a potential risk of battery overheating, combustion, and/or explosion.
7. Do not reverse the connection of (+) and (-) electrodes of the battery. Charging the battery in reverse polarity may produce an undesired chemical reaction inside the battery cell, causing unexpected behavior during discharging such as overheating, explosion, or fire.
8. Do not allow the battery's (+) or (-) pole to come into contact with any metal. In addition, do not carry or store the battery with metallic items, such as necklaces and hairpins. Doing so may cause a short circuit of the battery generating an over-current. There is the potential risk to overheat, ignite and/or explode the battery or overheat the metallic items, such as necklaces, hair pins etc.
9. Do not throw the battery or subject it to strong shock. If the safety mechanism in the battery is damaged, the battery may be overcharged and, consequently, an adverse chemical reaction may be generated in the battery. There is a potential risk of battery overheating, combustion, and/or explosion.

## **SPP-R210 Series**

10. Do not pierce the battery with a pointed object, such as nail or awl, or strike with a heavy object, such as a hammer, and take care not to step on the battery. There is a potential risk of battery overheating, combustion, and/or explosion caused by an internal short circuit.
11. Do not solder the battery directly. Doing so may melt the insulating materials and/or damage the safety mechanism or safety equipment, resulting in battery overheating, combustion, and/or explosion.
12. Do not disassemble and/or modify the battery. The battery contains safety equipment and a safety mechanism to prevent danger. There is a potential risk of overheating, combustion, and/or explosion caused by disassembly.
13. Do not charge the battery near open flames and/or under direct sunlight. Because exposure to high temperatures triggers the operation of the safety mechanism, the battery may not charge or may overcharge due to destruction of the safety mechanism. There is a potential risk of overheating, combustion, and/or explosion.
14. Do not expose the battery to high temperatures over 60 °C, and do not use or store it in a hot or humid place.
15. Do not use the battery if it is damaged or the exterior is deformed due to external shock or if it is swollen.

### **Warning**

1. Do not place the battery within the reach of small children to prevent any swallowing accidents. If a small child has swallowed the battery, consult a physician immediately.
2. Do not place the battery in a microwave oven and/or high voltage appliance. Doing so can cause rapid overheating and/or destruction of the sealing, resulting in battery overheating, combustion, and/or explosion.
3. Do not combine and use any battery of different capacity and/or type with the primary battery. Doing so can cause excessive electrical discharge during use or excessive charging during charging, resulting in an abnormal chemical reaction within the battery that can cause battery overheating, combustion, and/or explosion.
4. If during battery usage, storage, or charging, a strange odor or conditions differing from the normal, such as overheating, color changes, warping, etc., are detected, remove the battery from the product or charger and discontinue use. Continued use may cause battery overheating, combustion, and/or explosion.
5. When recharging, if the battery is not charged after the normal fixed charging time, discontinue charging. Continued charging can result in battery overheating, combustion, and/or explosion.
6. If the battery appears to be coated with condensation or emits a strange odor, immediately place it far away from any heat source. The condensation may be caused by a leak of electrolytic solution that can ignite to cause battery combustion and/or explosion.
7. If the battery is leaking electrolytic solution and any of the solution enters the eyes, immediately wash out with clean water, and then consult a physician to receive treatment. Neglecting to do so can cause permanent eye injuries.

### **Caution**

1. Do not use or leave the battery in a location exposed to high temperatures or intense direct sunlight, such as within an automobile. Doing so can cause battery overheating and/or combustion. In addition, battery performance and product life may be reduced.
2. The battery contains a safety mechanism to prevent danger. Do not use the battery in a location that is prone to static electricity (above the amount covered by the manufacturer's product warranty) that can cause damage to this safety mechanism. Damage to the safety mechanism can result in battery overheating, combustion, and/or explosion.
3. The temperature ranges for battery usage are as follows. Any usage outside of these ranges can result in battery overheating and/or damage. In addition, battery performance and product life may be reduced.
  - Charging: 0 ~ 40 °C
  - Product Usage: -20 ~ 60 °C
  - Storage: -20 ~ 60 °C (30 days)
  - Long-Term Storage: -20 ~ 40 °C (90 days)
4. Please review the exclusive charger manual carefully for charging instructions.
5. If you observe any abnormal symptom, such as strange smell and overheating, on first use after purchasing the product, contact your local dealer immediately.
6. If a child must use the battery, the child's parent or legal guardian should clearly explain the instructions from the user manual prior to use. In addition, the parent or legal guardian should periodically confirm that usage is being conducted in accordance with user manual instruction during use.
7. Store the battery in a location that is out of the reach of small children. During usage, make sure to also place the charger and/or product out of the reach of small children.
8. If the battery is leaking electrolytic solution, and the solution comes in contact with the skin or clothing, immediately wash thoroughly with clean water. Contact with skin can result in skin disorders.
9. Make sure to review the user manual and precautions carefully prior to use. In addition, after carefully reviewing the user manual and precautions, place them in a secure location for future reference when needed.
10. There is a risk of explosion when replacing with an incorrect battery. Only exchange it for another one of the same or equivalent model specified by BIXOLON. Insulate the used battery by attaching insulation tape to its port, and then dispose of the battery according to local regulations.
11. If using the printed side of preprinted paper, this may cause malfunction.



### **⚠ Recommended**

1. Review the user manual for instructions concerning insertion/removal of batteries into/from the product.
2. The battery shipped with the product is partially charged, and it is good for checking the operation of the equipment. Charge the battery first with the supplied charger if the equipment does not work or long hours of operation are required.
3. To avoid improper use of the battery, review the product user manual carefully.
4. Do not charge the battery for long times in excess of the normal charging time indicated in the user manual.
5. If the battery is not to be used for a long period of time, remove it from the product and store in a location with low humidity. If the battery is stored while still inserted in the product in a highly humid location, oxidization may occur along with a decline in battery performance.
6. Turn off the power after using the equipment. Otherwise the performance of the battery will be degraded over time.
7. The battery may fail to charge if it is not used for a long period of time. Charge the battery with the supplied charger at least once every six months if the equipment is not used for a long time. Leaving the battery for a long time without charging may degrade the performance of the battery or cause system trouble.
8. If the battery terminal is contaminated, clean the contact with a dry cloth before using it. Using the battery with contaminated contacts may cause problems when supplying power to the equipment or charging due to irregular electric contact.
9. Each battery has a life cycle. If the usage time of the produce is shortened, replace with a new battery. Insulate the used battery by attaching insulation tape to its port, and then dispose of the battery according to local regulations.

### **■ Other Precautions**

The copyright for this user manual and various other manuals is property of the BIXOLON Co., Ltd. Any copying or conversion into electronic form and saving of this material without the express written permission of BIXOLON Co., Ltd. is strictly prohibited.

Use of the information contained in this manual is not subject to any patent liability. This manual has been prepared with utmost care and attention to detail but may contain certain errors and/or omissions.

BIXOLON Co., Ltd. is not legally liable for any damages resulting from the use of the information in this manual.

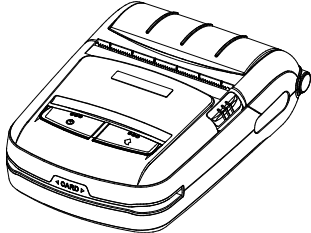
BIXOLON Co., Ltd. and its affiliates are not legally liable for any damages, loss, costs, and/or expenses that result from the breakdown, malfunction, and/or misuse of the product due to violation or neglect of the operation and maintenance information and instructions provided by the BIXOLON Co., Ltd., as well as from the unauthorized alteration, repair, and/or modification of the product by the user and/or third party.

BIXOLON Co., Ltd. is not legally liable for any damages and/or issues resulting from the use of options and/or parts that are not authentic BIXOLON products or authorized products.

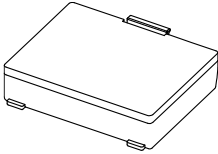
# 1. Content Confirmation

The following items should all be contained in the printer package. Contact the dealer from which the purchase was made if any item is damaged and/or missing.

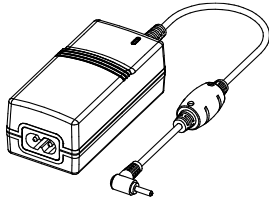
**※ Basic items**



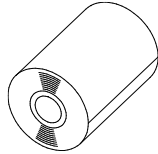
**SPP-R210/R215**



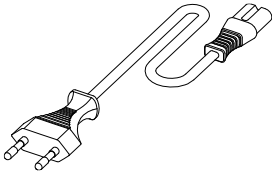
**Battery Pack**



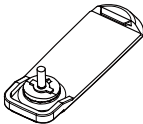
**Battery Charger**



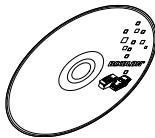
**Paper**



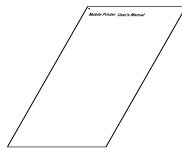
**Power Cord**



**Belt Clip**

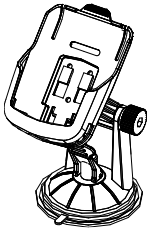


**CD**

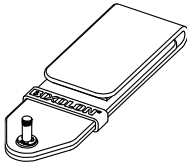


**Installation Guide**

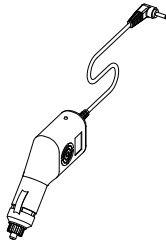
**※ Optional items**



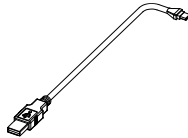
**Vehicle Holder**



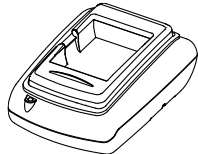
**Belt Strap**



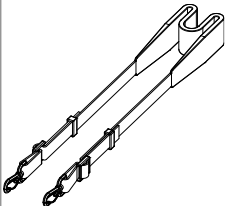
**Cigarette Lighter  
Charger**



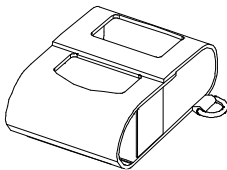
**Interface Cable**



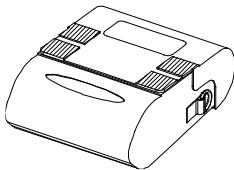
**Single Battery  
Cradle**



**Shoulder Strap**



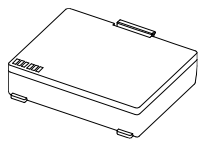
**Case**



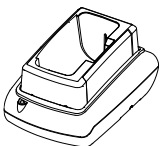
**Protective Case**



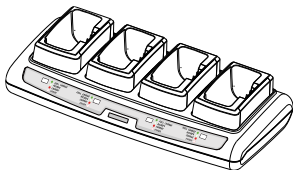
**Cleaning Pen**



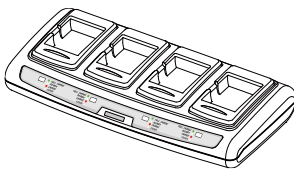
**Battery Pack\_V2  
(with outer  
contacts)**



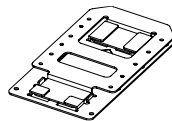
**Single Docking  
Cradle**



**Quad Docking Cradle**



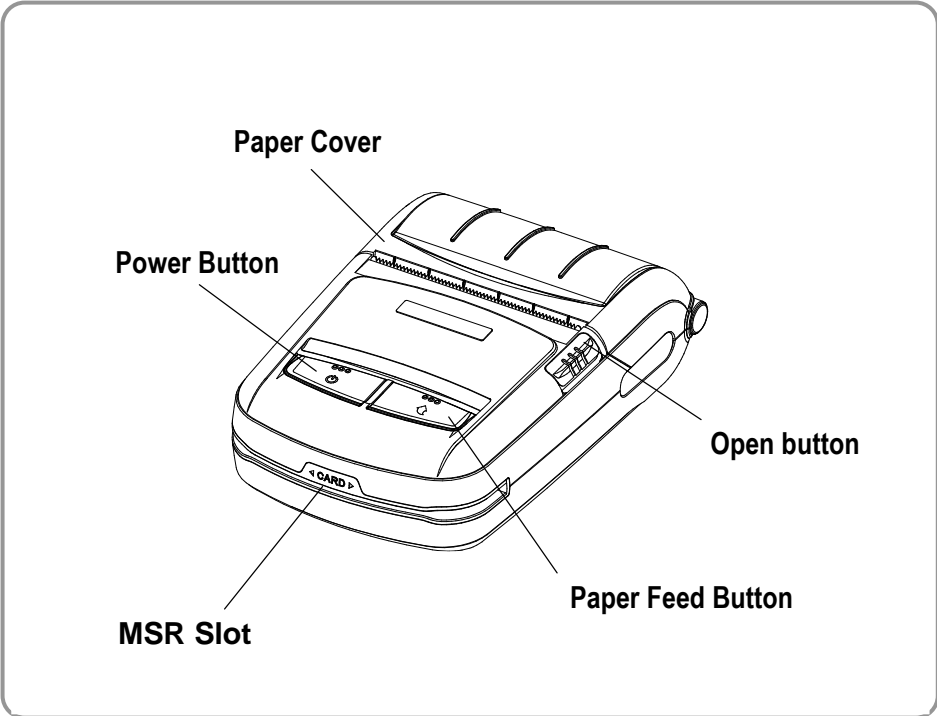
**Quad Battery Charger**



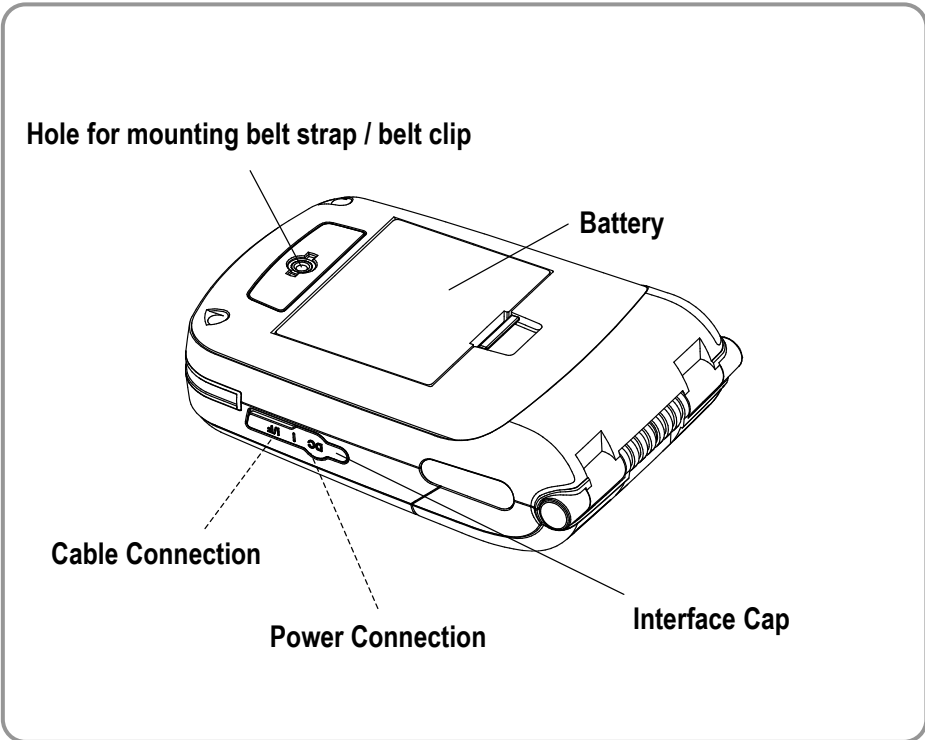
**Wall Mount (RWM-350)  
(for Quad Battery Charger)**

**2. Product Part Names**

**• Front**

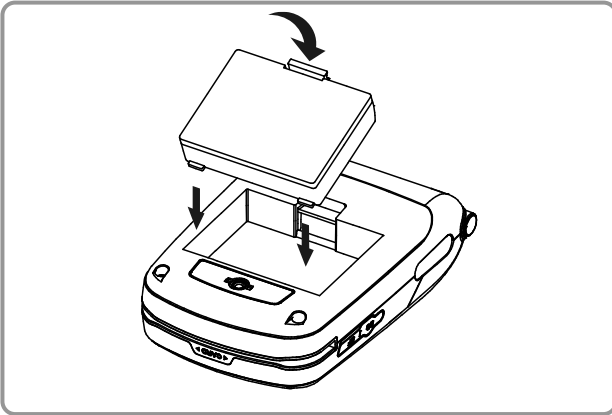


**• Rear**



## 3. Installation & Usage

### 3-1 Battery Installation



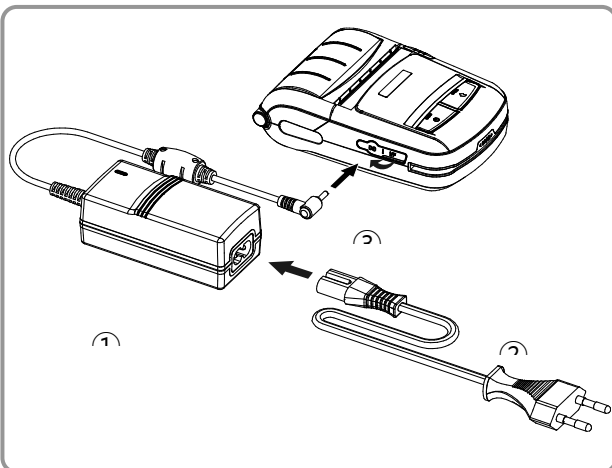
- 1) Insert the battery in the bottom of the printer, and ensure that you align the battery hook properly.
- 2) Push the battery into the slot until you hear it snap in place.

 **NOTE**

Since the battery is partially charged at the time of purchase, charge the battery prior to product use. (Use the battery charger or the optional Single battery cradle/Quad battery charger.)

### 3-2 Battery Charging

#### 3-2-1 Using Battery Charger



- 1) Turn off the printer power.
- 2) Connect the power cord (2) to the battery charger (1), and then connect AC power.
- 3) Open the external interface cap in the direction of (3).
- 4) Connect the battery charger to the power connector.

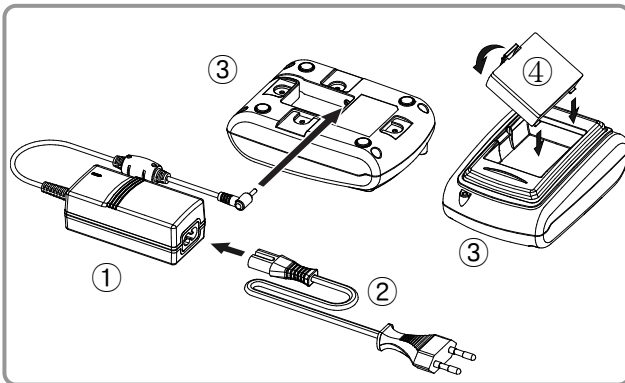
 **CAUTION**

The printer may incur serious damage if the battery charger provided by BIXOLON is not used. BIXOLON is not legally liable for any such damages. (The voltage and electrical current specifications of the printer and battery charger must match.)

 **WARNING**

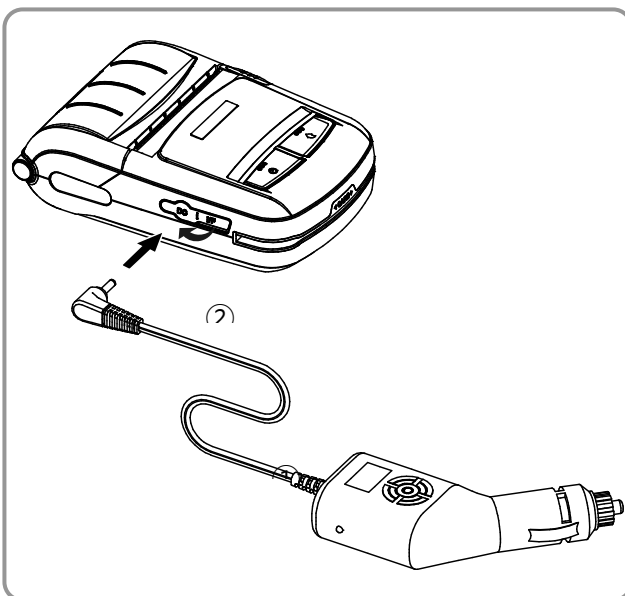
Turn off the power before charging the battery for the printer.

### 3-2-2 Using Single Battery Cradle (Optional)



- 1) Connect the power cord ② to the battery charger ①.
- 2) Connect the battery charger ① to the power connector of the single battery cradle ③.
- 3) Plug the power cord ② into an electrical outlet.
- 4) Insert the battery ④ into the single battery cradle ③ until snaps in place.

### 3-2-3 Using Cigarette Lighter Charger (Optional)



- 1) Turn off the power to the printer.
- 2) Connect the cigarette lighter charger ① to your car's cigarette lighter jack.
- 3) Open the external interface protection cap in the direction of ②.
- 4) Connect the cigarette lighter charger to the power connector.

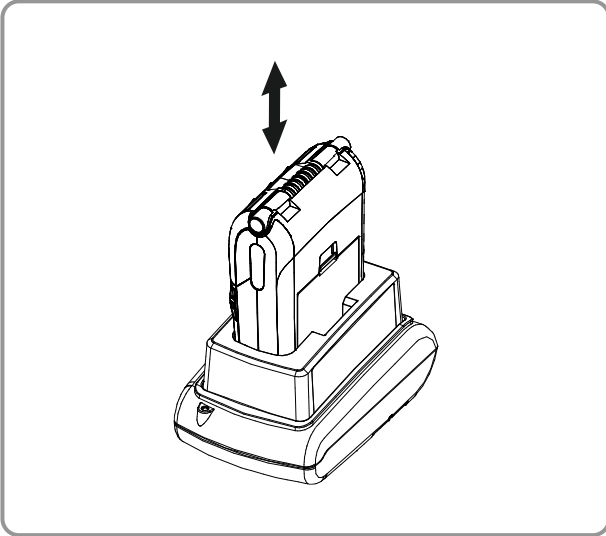
#### **⚠ CAUTION**

The printer may be seriously damaged if a battery charger not provided by BIXOLON is used. BIXOLON is not liable for such damage.

#### **⚠ WARNING**

Turn off the power before charging the battery for the printer.

## 3-2-4 Using Single Docking Cradle (Optional)



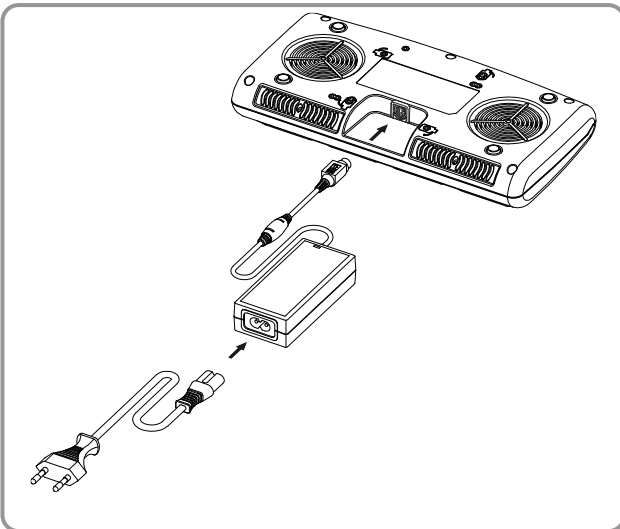
- 1) Turn the printer off.
- 2) Slide the printer in the single docking cradle as shown in the picture.
- 3) Push the printer in until a clicking sound is heard.
- 4) Charging will begin when the printer is installed.
- 5) Pull out the printer to separate it.

### **⚠ CAUTION**

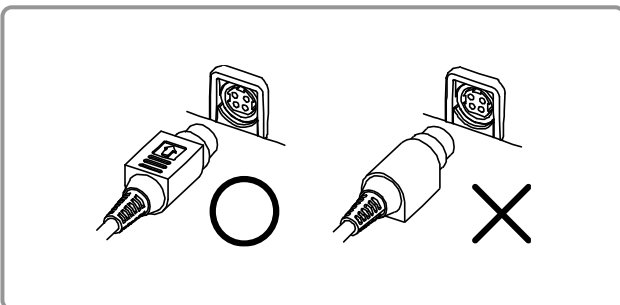
Please be sure to use the battery with external power contacts.

## 3-2-5 Using Quad Battery Charger / Quad Docking Cradle (Optional)

### 3-2-5-1 Connecting the cables



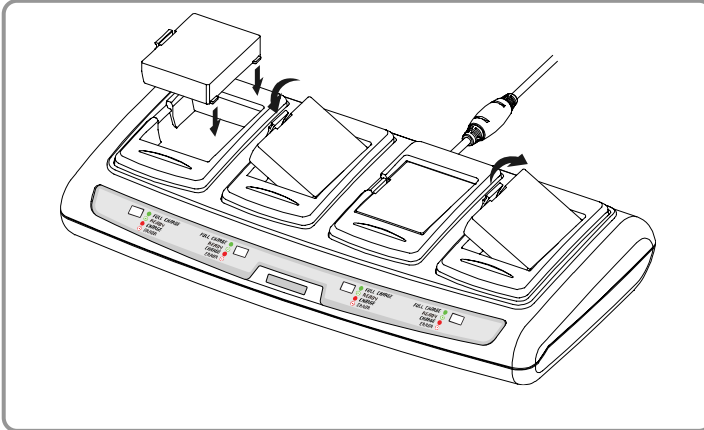
- 1) Connect the power cord to the adaptor, and Connect the adaptor to the power connector of the quad battery charger / quad docking cradle.
- 2) Plug the power cord into a power Outlet. Input power is 100 ~ 240VAC, 50/60Hz, 1.0A.
- 3) When the power is supplied, the yellow, green and red LEDs are on for three seconds and do the self-test.



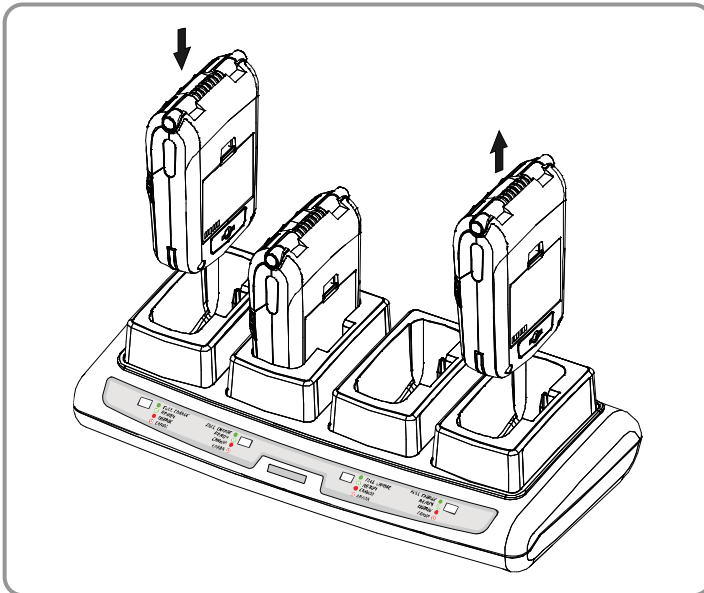
### **⚠ WARNING**

Use only designated AC/DC adaptor. (12VDC, 3A)

## 3-2-5-2 Charging Battery (Printer)



- 1) Using the battery hooks, insert the batteries into the Quad Battery Charger as shown.
- 2) Push the battery in until you hear snap.
- 3) Charging begins as soon as the battery is completely inserted. Batteries are charged to 8.4VDC, 0.8A.
- 4) Lift the hook and pull up to remove the battery.



- 1) Turn the printer off.
- 2) Slide the printer in the quad docking cradle as shown in the picture.
- 3) Push the printer in until a clicking sound is heard.
- 4) Charging will begin when the printer is installed.
- 5) When charging complete, Pull out the printer to separate it.

### **⚠ CAUTION**

Please be sure to use the battery with external power contacts.

### **📝 NOTE**

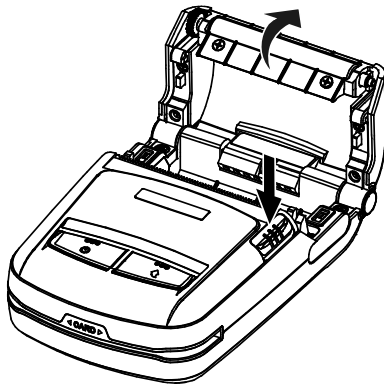
Battery charging status descriptions are as follows.

LED	Charge Status	Charge Time
Red LED On	Charging	2.5 hours
Green LED Blinking	Over 80% Charged	
Green LED On	Fully Charged	
Red LED Blinking	Error Replace or Reinstall Battery	

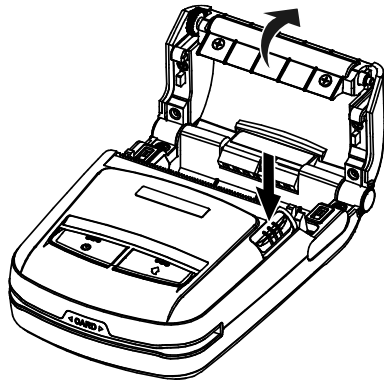
### **⚠ CAUTION**

1. If the red lamp of the charger blinks, install the battery again.
2. If the red lamp continues to blink despite several attempts (4 ~ 5 times) to install the battery, contact your local dealer.
3. The charging time may vary depending on the type of the charger or ambient temperature.

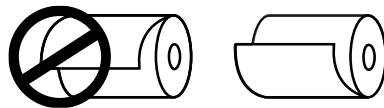
**3-3 Paper Installation**



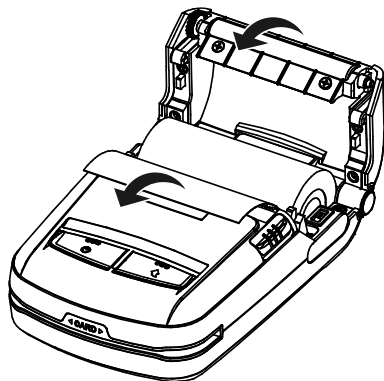
1) Press the Open button to open the paper cover.



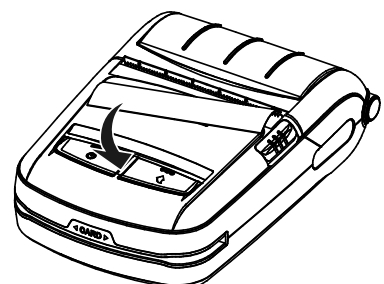
2) Insert the paper as shown.  
(Remove the empty core.)



3) Align the paper as shown.



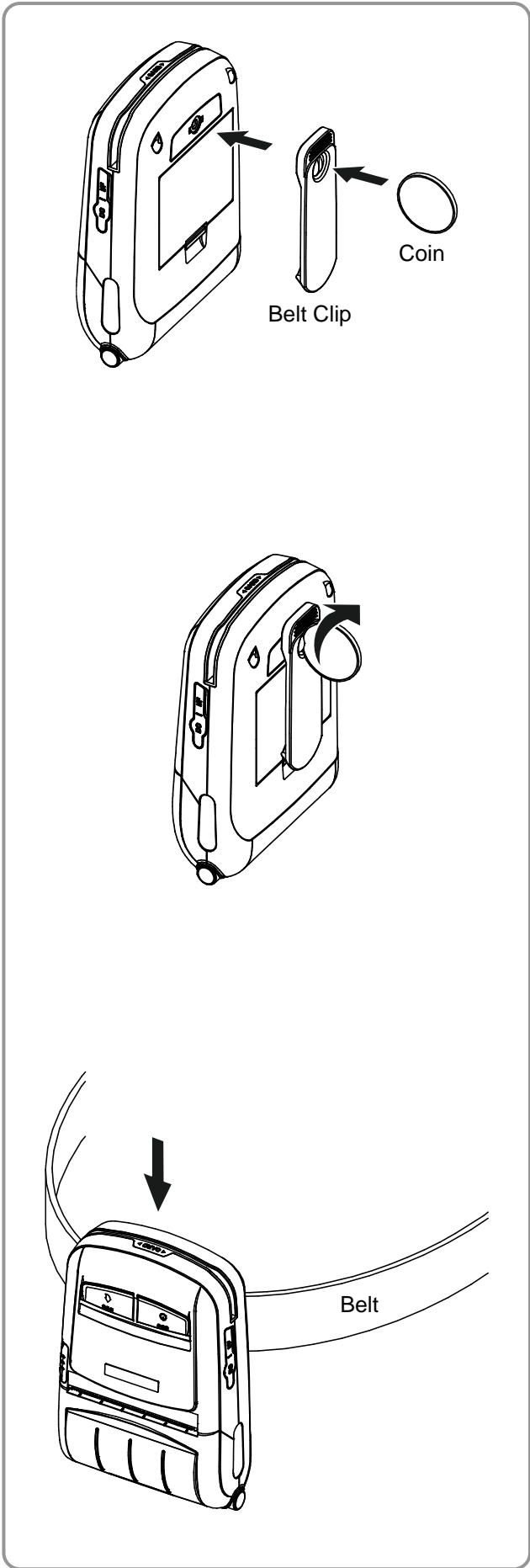
4) Pull out the paper as shown and close the paper cover.



5) Tear off any excess paper toward the side of the printer.



**3-4 Using Belt Clip**

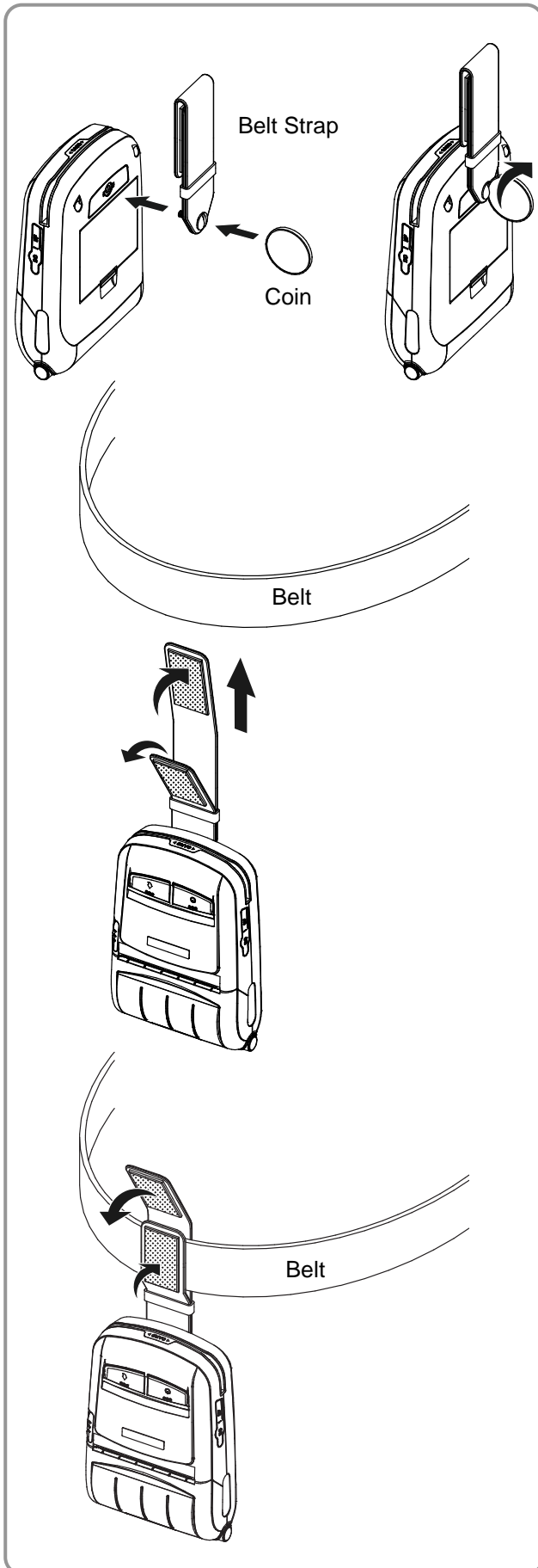


1) Insert the belt clip screw to the belt clip mounting hole.

2) Tighten the screw of the belt clip with an object like a coin as shown. (Be careful to tighten the screw in the correct direction.)

3) Slide the clip over the belt.

**3-5 Using Belt Strap (Optional)**



1) Insert the belt strap screw into the belt strap hole.

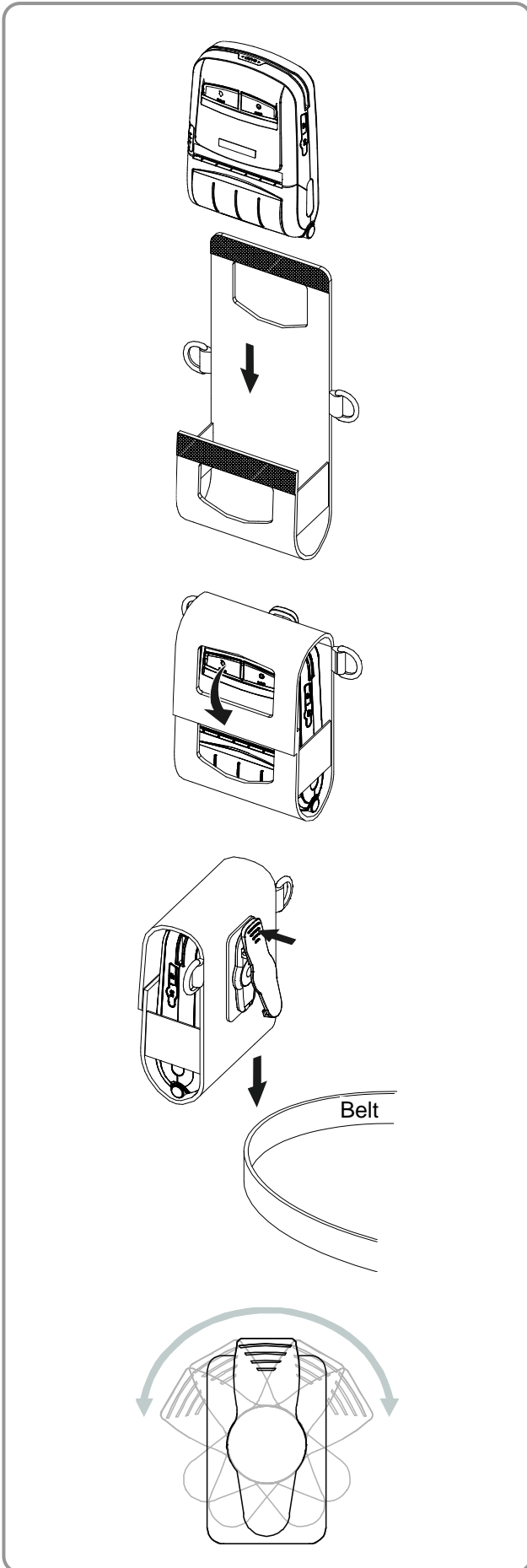
2) Use a coin to tighten the belt strap screw as shown in the image.

3) Unfasten the belt strap Velcro.

4) Slide the belt strap over a belt.

5) Close the Velcro as shown in the image.

**3-6 Using Case (Optional)**



1) Open its top cover

2) Insert the printer in the case in the direction shown in the picture.

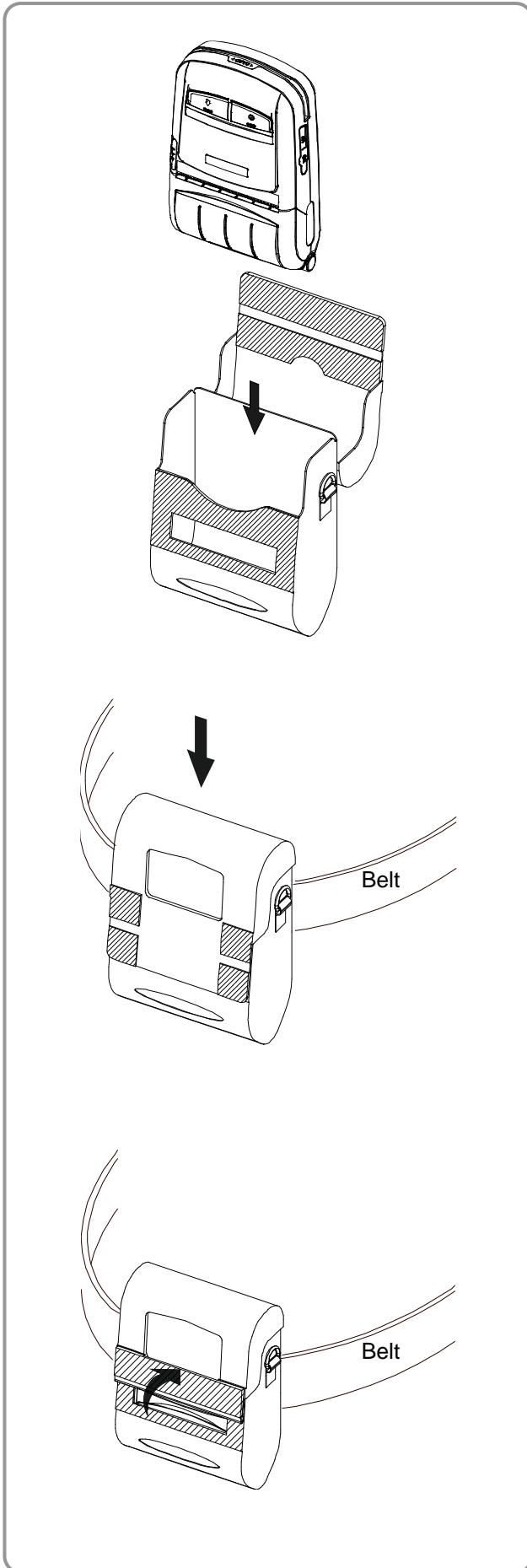
3) Close the Velcro.

4) Attach it to the belt using the clip on the back of the case.

 **Note**

Clip of the case can be rotated in two steps of 30° for each step (up to 60°)

**3-7 Using Protective Case (Optional)**



1) Open its top cover.

2) Insert your printer into the protective case as shown in the figure on the left.

3) Close the Velcro.

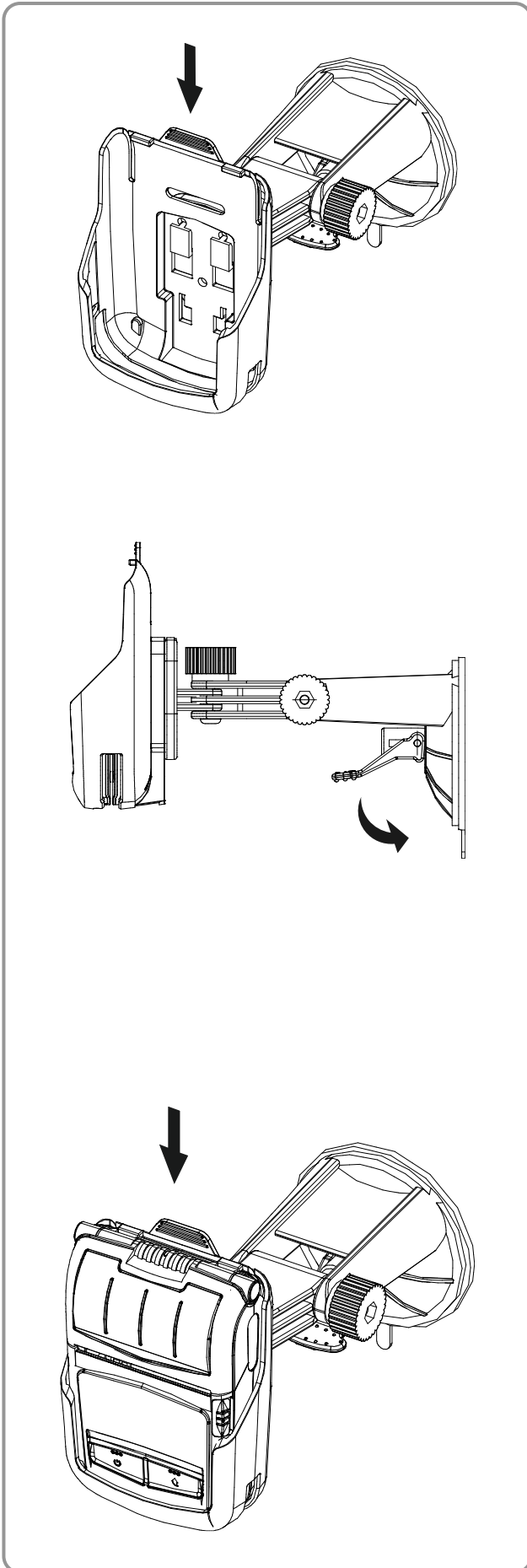
4) Attach it to the belt using the clip on the back of the protective case.

5) Open the paper discharger when using the printer as shown in the figure.

 **Note**

The clip of the protective case can be rotated in two steps of 30° for each step (up to 60°)

**3-8 Using Vehicle Holder (Optional)**

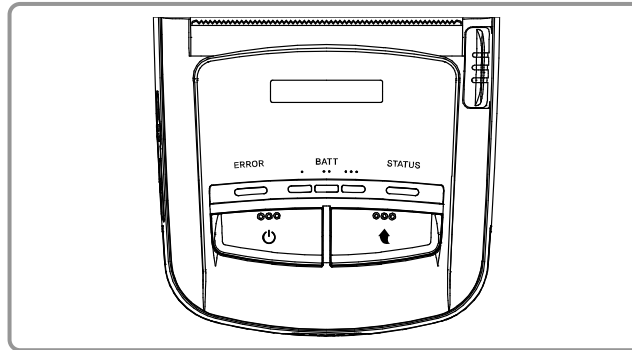


1) Assemble the vehicle holding cradle to the mount.

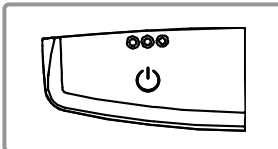
2) Adjust the vehicle mount properly, put the suction plate close to the glass, and pull the level to fix the position.  
(Use the disk pad to mount it on the dash board)

3) Slide the printer in the vehicle holding cradle completely as shown in the picture.

**3-9 Using Control Panel**



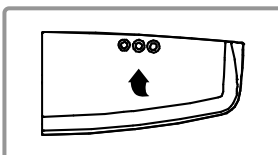
**• Power Button**



This button is used to turn the printer on and off.

- 1) When the printer is off, press this button for approximately 2 seconds to turn on the power.
- 2) When the printer is on, press this button for approximately 2 Seconds to turn off the power.

**• Paper Feed Button**

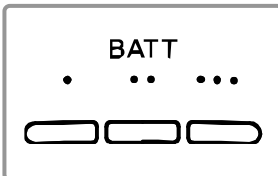


To feed paper manually, press this button.

In addition, self-testing and Hexadecimal Dumping can be done.

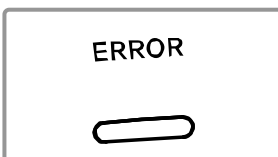
- 1) Refer to “4. Self-Test” for self-test information.
- 2) Refer to the service manual regarding Hexadecimal Dumping.

**• Battery Status LED (Blue or Red)**



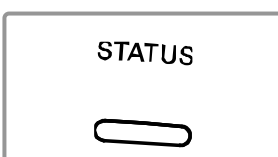
- 1) If three blue LEDs are lit, the battery is fully charged.
- 2) If two blue LEDs are lit, the battery is half charged.
- 3) If one blue LED is lit, the battery is at the lowest charge level.
- 4) If the red LED is lit, the battery must be charged or replaced.

**• Error LED (Left-sided)**



- 1) If the red LED is lit, the paper cover is open.
- 2) If the red LED is blinking, either the paper has been fully used or the print head is overheated. (Replace the roll of paper or turn off the printer for at least 10 minutes.)
- 3) If the red LED continues to blink, it may indicate a more serious problem with the product. Call your authorized service dealer.

**• Bluetooth Lamp (Green)**

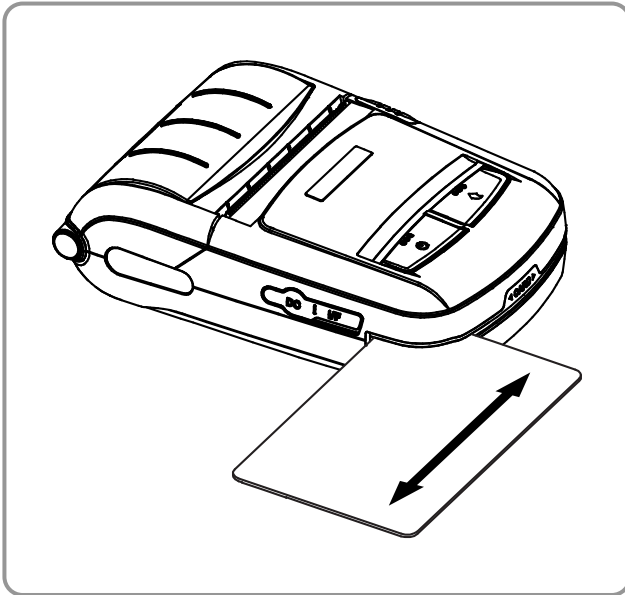


- 1) When using Bluetooth  
If the printer is ready for wireless communication with any Bluetooth, the green lamp as well as the battery status lamp is turned on.
- 2) When using wireless LAN  
The right indicator shows the signal strength from wireless LAN. If the green LED is lit, the signal strength is acceptable while the green LED blinks for weak signal strength. If the red LED is lit, it indicate that wireless LAN setting values are invalid.
  - In power save mode, only the Status lamp is lit.

**NOTE**

The power saving mode is activated after the first communication, with the default time interval being 10 seconds.

**3-10 Using MSR**

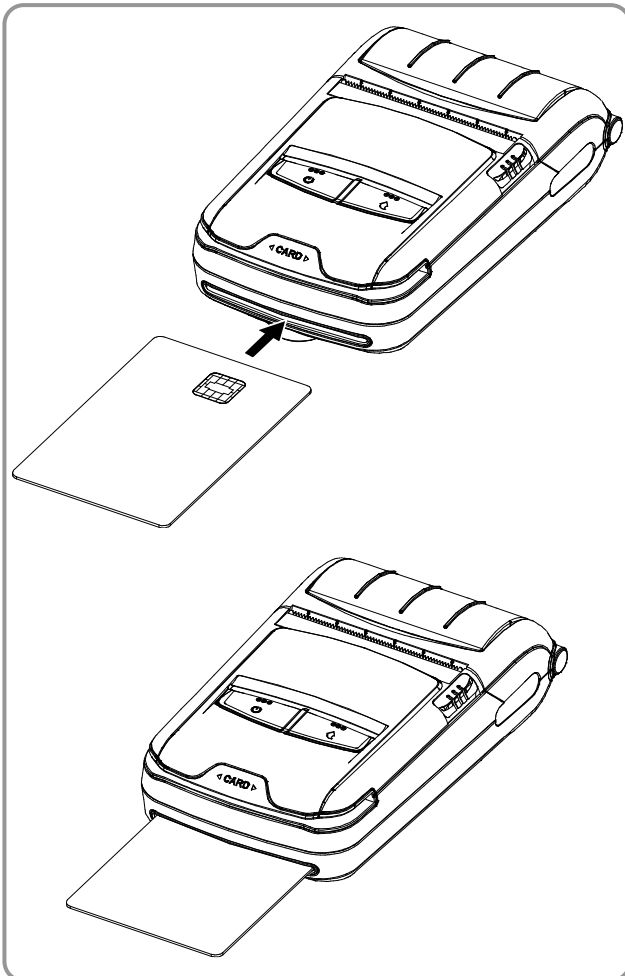


- 1) Insert the card as shown in the image and swipe in the direction of the arrow. (can be done in both directions)

**NOTE**

If the card does not register, first check to see if it is properly aligned. When swiping the card, the recommended swiping speed is 100 ~ 1200 mm/sec.

**3-11 Using SCR**



- 1) Insert the Smart Card as shown in the image.
- 2) After using, eject the Smart Card.

## **4. Self-Test**

Run the self-test when you set the printer or when you encounter a problem, and check the following.

- Control Circuit, Mechanisms, Print Quality, ROM Version, and Memory Switch Settings

If no issue is found with the printer after running the self-test, examine the other devices or peripherals and software. This function is independent of such other devices and software.

### **• Self-Test Instructions**

- 1) Turn the printer power off and close the printer paper cover.
- 2) Press and hold the paper feed button and power button simultaneously to turn on the printer.
- 3) After printing begins, release the two buttons.
- 4) To view a printout of the ASCII pattern, press the paper feed button once more.
- 5) After the ASCII pattern is printed out, the self-test is automatically terminated.



• Self-Test Sample (For Bluetooth)

Firmware version :  
 V01.00 STOBa 072916  
 Butter Capacity : 64K Bytes  
 USB 2.0 Interface  
 Print Density : 100%  
 Default Codepage : PC437  
 Print Speed : Max. 90mm/s  
 Double byte character mode:On  
 Font : 12 x 24  
 Paper out Bell : Off  
 Low Battery Buzzer : On  
 Power off time : 15 Min  
 Idle mode time : 10 Sec  
 MSR data including sentinel  
 Character mode : None  
 MSR read mode : Auto TRACK1/2/3  
 BATT NTC : OK  
 SmartCard F/W : BX01

**Memory switch setup status**

Memory S/W1 ON OFF	1 2 3 4 5 6 7 8	Memory S/W2 ON OFF	1 2 3 4 5 6 7 8
ON	■ ■ ■ ■ ■ ■ ■ ■	ON	■ ■ ■ ■ ■ ■ ■ ■
OFF	■ ■ ■ ■ ■ ■ ■ ■	OFF	■ ■ ■ ■ ■ ■ ■ ■
Memory S/W3 ON OFF	1 2 3 4 5 6 7 8	Memory S/W4 ON OFF	1 2 3 4 5 6 7 8
ON	■ ■ ■ ■ ■ ■ ■ ■	ON	■ ■ ■ ■ ■ ■ ■ ■
OFF	■ ■ ■ ■ ■ ■ ■ ■	OFF	■ ■ ■ ■ ■ ■ ■ ■
Memory S/W5 ON OFF	1 2 3 4 5 6 7 8	Memory S/W6 ON OFF	1 2 3 4 5 6 7 8
ON	■ ■ ■ ■ ■ ■ ■ ■	ON	■ ■ ■ ■ ■ ■ ■ ■
OFF	■ ■ ■ ■ ■ ■ ■ ■	OFF	■ ■ ■ ■ ■ ■ ■ ■
Memory S/W7 ON OFF	1 2 3 4 5 6 7 8	Memory S/W8 ON OFF	1 2 3 4 5 6 7 8
ON	■ ■ ■ ■ ■ ■ ■ ■	ON	■ ■ ■ ■ ■ ■ ■ ■
OFF	■ ■ ■ ■ ■ ■ ■ ■	OFF	■ ■ ■ ■ ■ ■ ■ ■

**RF Interface**

BT embedded  
 Bluetooth Firmware version :  
 1.2.6  
 Bluetooth BD address :  
 001901223194  
 - Auth. / Encry. are enable  
 - Connection Mode = 2

Not available WLAN





If you want to continue  
 SELF-TEST printing,  
 Please press FEED button.

ASCII  
 !"#\$%&'()\*+,-./0123456789:;<=>?@  
 "#\$%&'()\*+,-./0123456789:;<=>?@A  
 "\$%&'()\*+,-./0123456789:;<=>?@AB  
 "%&'()\*+,-./0123456789:;<=>?@ABC  
 "&'()\*+,-./0123456789:;<=>?@ABCD  
 "'()\*+,-./0123456789:;<=>?@ABCDE  
 '()\*+,-./0123456789:;<=>?@ABCDEF  
 ()\*+,-./0123456789:;<=>?@ABCDEFG  
 )\*+,-./0123456789:;<=>?@ABCDEFGH  
 \*+,-./0123456789:;<=>?@ABCDEFGHI  
 +,-./0123456789:;<=>?@ABCDEF GHIJ  
 ,-./0123456789:;<=>?@ABCDEFGHIJK  
 -./0123456789:;<=>?@ABCDEFGHIJKL  
 ./0123456789:;<=>?@ABCDEFGHIJKLM  
 /0123456789:;<=>?@ABCDEFGHIJKLMN  
 0123456789:;<=>?@ABCDEFGHIJKLMNO  
 123456789:;<=>?@ABCDEFGHIJKLMNOP  
 23456789:;<=>?@ABCDEFGHIJKLMNOPQ  
 3456789:;<=>?@ABCDEFGHIJKLMNOPQR  
 456789:;<=>?@ABCDEFGHIJKLMNOPQRS  
 56789:;<=>?@ABCDEFGHIJKLMNOPQRST  
 6789:;<=>?@ABCDEFGHIJKLMNOPQRSTU  
 789:;<=>?@ABCDEFGHIJKLMNOPQRSTUV  
 89:;<=>?@ABCDEFGHIJKLMNOPQRSTUVW  
 9:;<=>?@ABCDEFGHIJKLMNOPQRSTUVWX

PC437  
 ÇüéáàãäåæçèéëìíîÏÄÅÉæÆðóôùúÿÜç£¥ Píř  
 ùëääåäçèèëìíîÏÄÅÉæÆðóôùúÿÜç£¥ Píř  
 éääåäçèèëìíîÏÄÅÉæÆðóôùúÿÜç£¥ Pířá  
 áääåäçèèëìíîÏÄÅÉæÆðóôùúÿÜç£¥ Pířáí  
 äääçèèëìíîÏÄÅÉæÆðóôùúÿÜç£¥ Pířáíó  
 ääçèèëìíîÏÄÅÉæÆðóôùúÿÜç£¥ Pířáíóí  
 äçèèëìíîÏÄÅÉæÆðóôùúÿÜç£¥ Pířáíóíñ  
 çèèëìíîÏÄÅÉæÆðóôùúÿÜç£¥ Pířáíóíñ  
 èèëìíîÏÄÅÉæÆðóôùúÿÜç£¥ Pířáíóíñ<sup>a</sup>  
 èëìíîÏÄÅÉæÆðóôùúÿÜç£¥ Pířáíóíñ<sup>ao</sup>  
 èìíîÏÄÅÉæÆðóôùúÿÜç£¥ Pířáíóíñ<sup>ao</sup>¿  
 ìíîÏÄÅÉæÆðóôùúÿÜç£¥ Pířáíóíñ<sup>ao</sup>¿  
 ïîÏÄÅÉæÆðóôùúÿÜç£¥ Pířáíóíñ<sup>ao</sup>¿  
 ïÏÄÅÉæÆðóôùúÿÜç£¥ Pířáíóíñ<sup>ao</sup>¿  
 ïÄÅÉæÆðóôùúÿÜç£¥ Pířáíóíñ<sup>ao</sup>¿  
 ÄÅÉæÆðóôùúÿÜç£¥ Pířáíóíñ<sup>ao</sup>¿  
 ÅæÆðóôùúÿÜç£¥ Pířáíóíñ<sup>ao</sup>¿  
 ÉæÆðóôùúÿÜç£¥ Pířáíóíñ<sup>ao</sup>¿  
 æÆðóôùúÿÜç£¥ Pířáíóíñ<sup>ao</sup>¿  
 ÆðóôùúÿÜç£¥Pířáíóíñ<sup>ao</sup>¿  
 ðóôùúÿÜç£¥ Pířáíóíñ<sup>ao</sup>¿  
 òóùúÿÜç£¥ Pířáíóíñ<sup>ao</sup>¿  
 òùúÿÜç£¥ Pířáíóíñ<sup>ao</sup>¿  
 ùúÿÜç£¥ Pířáíóíñ<sup>ao</sup>¿  
 ÿÿÜç£¥Pířáíóíñ<sup>ao</sup>¿  
 ðÜç£¥ Pířáíóíñ<sup>ao</sup>¿

\*\*\* Completed \*\*\*

• Self-Test Sample (For Wireless LAN)

Firmware version :  
 V01.00 STOBa 072916  
 Butter Capacity : 64K Bytes  
 USB 2.0 Interface  
 Print Density : 100%  
 Default Codepage : PC437  
 Print Speed : Max. 90mm/s  
 Double byte character mode:On  
 Font : 12 x 24  
 Paper out Bell : Off  
 Low Battery Buzzer : On  
 Power off time : 15 Min  
 Idle mode time : 10 Sec  
 MSR data including sentinel  
 Character mode : None  
 MSR read mode : Auto TRACK1/2/3  
 BATT NTC : OK  
 SmartCard F/W : BX01

Memory switch setup status

Memory S/W1 ON 1 2 3 4 5 6 7 8 OFF ■■■■ ■■■■ ■■■■ ■■■■	Memory S/W2 ON 1 2 3 4 5 6 7 8 OFF ■■■■ ■■■■ ■■■■ ■■■■
Memory S/W3 ON 1 2 3 4 5 6 7 8 OFF ■■■■ ■■■■ ■■■■ ■■■■	Memory S/W4 ON 1 2 3 4 5 6 7 8 OFF ■■■■ ■■■■ ■■■■ ■■■■
Memory S/W5 ON 1 2 3 4 5 6 7 8 OFF ■■■■ ■■■■ ■■■■ ■■■■	Memory S/W6 ON 1 2 3 4 5 6 7 8 OFF ■■■■ ■■■■ ■■■■ ■■■■
Memory S/W7 ON 1 2 3 4 5 6 7 8 OFF ■■■■ ■■■■ ■■■■ ■■■■	Memory S/W8 ON 1 2 3 4 5 6 7 8 OFF ■■■■ ■■■■ ■■■■ ■■■■

RF Interface

Not available Bluetooth  
 WLAN firmware version :  
 Ver 1.2  
 System Name : SPP-R210  
 Network Mode : Adhoc  
 Authentication : Open  
 Encryption : None  
 ESSID : BIXOLON\_adhoc  
 DHCP : Disabled  
 IP : 192.168.1.1  
 Subnet Mask : 255.255.255.0  
 Gateway : 192.168.1.2  
 Port : 9100  
 HTTPS : Disabled  
 Telnet : Disabled  
 FTP : Disabled  
 SNMP : Disabled  
 WLAN MAC Address :  
 CC7A30020517





If you want to continue  
 SELF-TEST printing,  
 Please press FEED button.

ASCII  
 !"#\$%&'()\*+,-./0123456789:;<=>?@  
 "#\$%&'()\*+,-./0123456789:;<=>?@A  
 "\$%&'()\*+,-./0123456789:;<=>?@AB  
 "%&'()\*+,-./0123456789:;<=>?@ABC  
 "&'()\*+,-./0123456789:;<=>?@ABCD  
 "'()\*+,-./0123456789:;<=>?@ABCDE  
 '()\*+,-./0123456789:;<=>?@ABCDEF  
 ()\*+,-./0123456789:;<=>?@ABCDEFG  
 )\*+,-./0123456789:;<=>?@ABCDEFGH  
 \*+,-./0123456789:;<=>?@ABCDEFGHI  
 +,-./0123456789:;<=>?@ABCDEFGHIJ  
 ,-./0123456789:;<=>?@ABCDEFGHIJK  
 -./0123456789:;<=>?@ABCDEFGHIJKL  
 ./0123456789:;<=>?@ABCDEFGHIJKLM  
 /0123456789:;<=>?@ABCDEFGHIJKLMN  
 0123456789:;<=>?@ABCDEFGHIJKLMNO  
 123456789:;<=>?@ABCDEFGHIJKLMNOP  
 23456789:;<=>?@ABCDEFGHIJKLMNOPQ  
 3456789:;<=>?@ABCDEFGHIJKLMNOPQR  
 456789:;<=>?@ABCDEFGHIJKLMNOPQRS  
 56789:;<=>?@ABCDEFGHIJKLMNOPQRST  
 6789:;<=>?@ABCDEFGHIJKLMNOPQRSTU  
 789:;<=>?@ABCDEFGHIJKLMNOPQRSTUV  
 89:;<=>?@ABCDEFGHIJKLMNOPQRSTUW  
 9:;<=>?@ABCDEFGHIJKLMNOPQRSTUWX

PC437  
 ÇüéáàãäåæçèéëìíîïÿÀÁÂÃÄÅÆÇÈÉÊËÏÐÙÚÛÜÝ Þÿ  
 ùéáàãäåæçèéëìíîïÿÀÁÂÃÄÅÆÇÈÉÊËÏÐÙÚÛÜÝ Þÿ  
 éáàãäåæçèéëìíîïÿÀÁÂÃÄÅÆÇÈÉÊËÏÐÙÚÛÜÝ Þÿ  
 áàãäåæçèéëìíîïÿÀÁÂÃÄÅÆÇÈÉÊËÏÐÙÚÛÜÝ Þÿ  
 äåæçèéëìíîïÿÀÁÂÃÄÅÆÇÈÉÊËÏÐÙÚÛÜÝ Þÿ  
 åæçèéëìíîïÿÀÁÂÃÄÅÆÇÈÉÊËÏÐÙÚÛÜÝ Þÿ  
 çèéëìíîïÿÀÁÂÃÄÅÆÇÈÉÊËÏÐÙÚÛÜÝ Þÿ  
 èéëìíîïÿÀÁÂÃÄÅÆÇÈÉÊËÏÐÙÚÛÜÝ Þÿ  
 ëëìíîïÿÀÁÂÃÄÅÆÇÈÉÊËÏÐÙÚÛÜÝ Þÿ  
 ìíîïÿÀÁÂÃÄÅÆÇÈÉÊËÏÐÙÚÛÜÝ Þÿ  
 ïîïÿÀÁÂÃÄÅÆÇÈÉÊËÏÐÙÚÛÜÝ Þÿ  
 ÿÀÁÂÃÄÅÆÇÈÉÊËÏÐÙÚÛÜÝ Þÿ  
 ÀÁÂÃÄÅÆÇÈÉÊËÏÐÙÚÛÜÝ Þÿ  
 ÁÂÃÄÅÆÇÈÉÊËÏÐÙÚÛÜÝ Þÿ  
 ÂÃÄÅÆÇÈÉÊËÏÐÙÚÛÜÝ Þÿ  
 ÃÄÅÆÇÈÉÊËÏÐÙÚÛÜÝ Þÿ  
 ÄÅÆÇÈÉÊËÏÐÙÚÛÜÝ Þÿ  
 ÅÆÇÈÉÊËÏÐÙÚÛÜÝ Þÿ  
 ÆÇÈÉÊËÏÐÙÚÛÜÝ Þÿ  
 ÇÈÉÊËÏÐÙÚÛÜÝ Þÿ  
 ÈÉÊËÏÐÙÚÛÜÝ Þÿ  
 ÉÊËÏÐÙÚÛÜÝ Þÿ  
 ÊËÏÐÙÚÛÜÝ Þÿ  
 ËÏÐÙÚÛÜÝ Þÿ  
 ÌÍÎÏÐÙÚÛÜÝ Þÿ  
 ÍÎÏÐÙÚÛÜÝ Þÿ  
 ÎÏÐÙÚÛÜÝ Þÿ  
 ÏÐÙÚÛÜÝ Þÿ  
 ÐÙÚÛÜÝ Þÿ  
 ÑÒÓÔÕÖ×ØÙÚÛÜÝ Þÿ  
 ÒÓÔÕÖ×ØÙÚÛÜÝ Þÿ  
 ÓÔÕÖ×ØÙÚÛÜÝ Þÿ  
 ÔÕÖ×ØÙÚÛÜÝ Þÿ  
 ÕÖ×ØÙÚÛÜÝ Þÿ  
 Ö×ØÙÚÛÜÝ Þÿ  
 ×ØÙÚÛÜÝ Þÿ  
 ØÙÚÛÜÝ Þÿ  
 ÙÚÛÜÝ Þÿ  
 ÚÛÜÝ Þÿ  
 ÛÜÝ Þÿ  
 ÜÝ Þÿ  
 Ý Þÿ  
 Þÿ

\*\*\* Completed \*\*\*

## **5. Black mark paper printing**

### **5-1 Black mark Function Setting**

Black mark paper available at the Black mark mode.

- **Setting Operations**

- 1) Turn on the printer power.
- 2) Open the paper cover and press and hold down the paper feed button for longer than two seconds.
- 3) After the buzzer tone is emitted, insert paper and close the cover.
- 4) Repeat the steps above to return to receipt mode.

- **Setting Via Memory Switch**

- Please refer to the memory switch changing section of the Commands Manual.

### **5-2 Auto Calibration Function**

The Black mark paper printing function requires the recognition of Black mark paper's black bar in order to print.

If black mark paper's black bar are not properly recognized, use the auto calibration function.

- **Auto Calibration Instructions**

- 1) Turn the printer power off while in black mark print mode.
- 2) Press and hold down the paper feed button and then press the power button.
- 3) After the following printout is outputted, press the power button to perform auto calibration.

Select the mode  
Auto Calibration: Power Button  
Self Test: Feed Button

- 4) Three pages of label paper are outputted when performing auto calibration.

## **6. iOS MFi Mode Setting (Optional)**

This product supports Made for iOS (MFi) mode which enables Bluetooth communication with iOS devices. (Applicable to MFi support models only)

### **• How to enable and disable MFi mode**

- 1) Turn on the printer.
- 2) Open the paper cover and press the power button and paper feed button at the same time for longer than two seconds.
- 3) Close the cover when you hear a beep.
- 4) Reboot the printer when the following message is printed.
  - iOS mode enable!!
  - Please Reboot Printer!!
- 5) To disable MFi mode, repeat the above procedure.

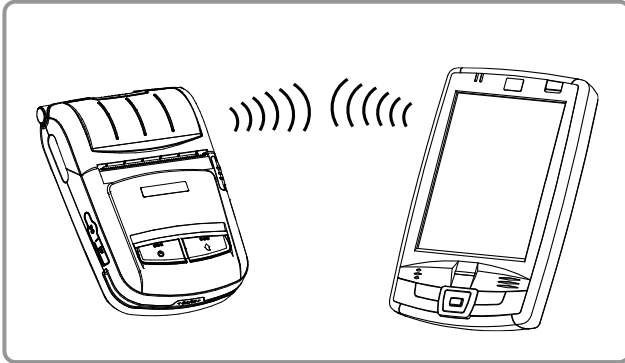
### **• Check iOS mode**

- 1) Execute self-test.
- 2) If the printed firmware version contains a lowercase "a" (for example : V01.00 STOBa), iOS mode is disabled.
- 3) If the printed firmware version contains a lowercase "i" (for example : V01.00 STOBi), iOS mode is enabled.

## 7. Peripherals Connection

This product can communicate with other devices via Bluetooth communication and cable.

### 7-1 Bluetooth® Connection



- 1) The printer can connect to devices equipped with Bluetooth communication capability. Make sure your printer is on and discoverable.
- 2) Use the Bluetooth connection function supported by the device to connect to the printer.

 **NOTE**

Refer to the Bluetooth Manual for more specific information about.

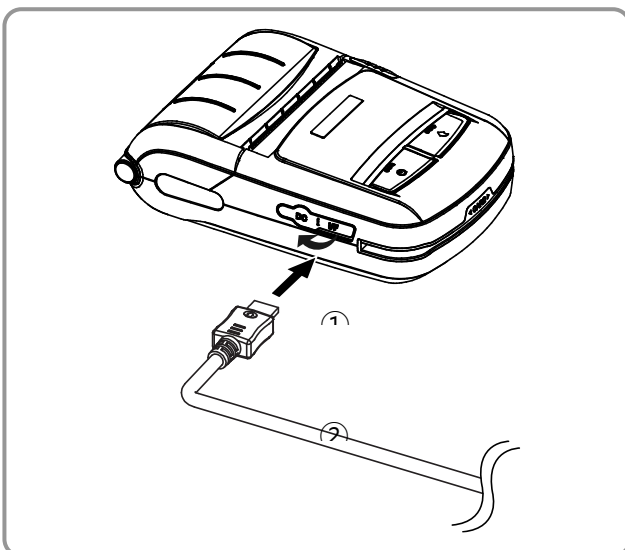
### 7-2 Wireless LAN

- 1) This printer supports WLAN communication in Ad-hoc mode and Infrastructure mode (AP).  
The printer can be connected to other devices such as PDAs and PC's supporting wireless LAN communication in Ad Hoc mode and AP in Infrastructure mode.

 **NOTE**

Refer to the WLAN Manual for more specific information about.

### 7-3 Interface Cable Connection



- 1) Open the Interface Cap ①.
- 2) Connect the USB interface cable (optional) ② to the cable connector of the printer.

 **NOTE**

Use only the USB cables (optional) provided by BIXOLON.

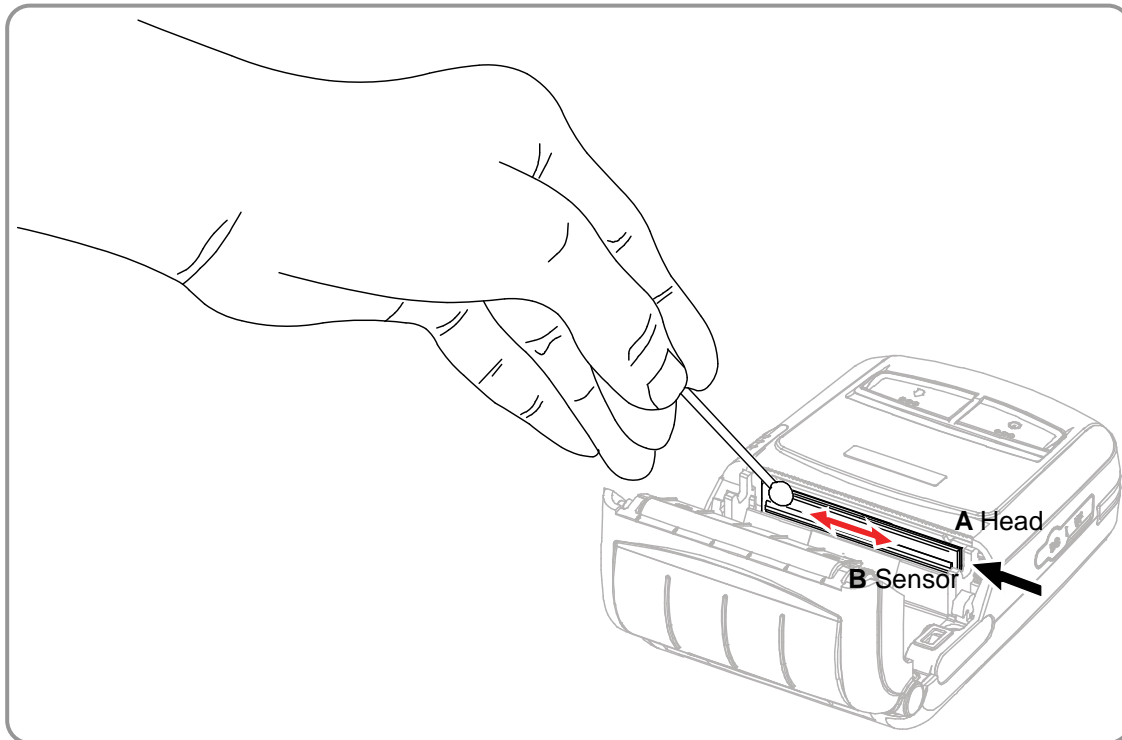
- 3) Connect the interface cable to the USB port of the device (PDAs, PCs, etc.).

 **NOTE**

The interface cable that can be connected with the printer is available in both USB and Serial type. Refer to the service manual for detailed interface cable specifications.

## 8. Printer Cleaning

If the interior of the printer is dusty, print quality can decline.  
In such a case, follow the instructions below to clean the printer.



- 1) Open the paper cover and remove the paper, if present.
- 2) Clean the printhead (A) using the cloth or cotton swab soaked in alcohol for medical.
- 3) Using the cloth or cotton swab soaked in alcohol for medical, remove the paper dust from the black mark sensor (B).  
(Sensor could be located in the middle or on left or on right)
- 4) Do not use the printer for one to two minutes after cleaning until the alcohol for medical has completely evaporated and dried.
- 5) Insert the paper and close the paper cover.

### **⚠ Caution**

- Make sure the printer power is turned off before cleaning.
- Wait for two to three minutes after power-off before printhead cleaning because it may be very hot.
- Do not touch the heating region of the printhead with your hand while cleaning it.
- The printhead may be damaged by static electricity.
- Avoid scratching the printhead.
- Clean the printhead periodically if linerless paper is used. Recommended cleaning period is after consuming twenty rolls of linerless paper (100 meters), or approximately once a week. Print quality may be degraded or printhead life may be shortened if it is not cleaned periodically.

### **⚠ Warning**

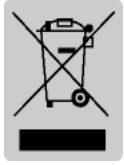
- Use only the linerless paper that is provided by BIXOLON. Use of other paper voids product warranty.



	Sold Separately	Belt Strap, Cigarette Lighter Charger, USB Cable, Case, Protective Case, Cleaning Pen, Battery Pack_V2(with outer contacts), Vehicle Holder, Single Battery Cradle, Single Docking Cradle, Quad Battery Charger, Quad Docking Cradle, Wall Mount(for Quad Battery Charger)
--	-----------------	--

### 9-2 Certification

#### 1) WEEE (Waste Electrical and Electric Equipment)



This mark shown on the product or its literature indicates that the corresponding item should not be discarded at the end of its working life with other household waste. To prevent possible harm to the environment or human health from uncontrolled waste disposal, please separate marked items from other types of waste and recycle them responsibly to promote the sustained reuse of material resources. Household users should contact either the retailer where they purchased this product, or their local government office for details on where and how they can conduct environmentally safe recycling of such items. Commercial users should contact their suppliers and check the terms and conditions of purchase contracts. This product should not be combined with other commercial waste for disposal.

#### 2) Rating Label Symbol Information



DC (Direct current)

- 3) This equipment is for indoor use and all of the communication wiring is limited to the inside of the building.
- 4) The switch is the disconnecting device. Turn off switch from any hazard.
- 5) The following Bluetooth mark and Declaration ID D022644 is only applicable to models with the Bluetooth SIG qualification.
- 6) Instructions for the correct selection of a suitable Listed Class 2 Power Battery Charger (Adaptor) including “This product is intended to be supplied by a Listed Battery Charger (Adaptor) marked “Class 2” and rated output 8.4 V DC, 0.8 A.”





### **Warning**

#### **Lithium-Ion Battery pack**

<Warning> The battery has the potential risk of overheating, fire and/or explosion. To avoid such risks, observe the following instructions:

- A visibly swollen battery may be dangerous. Contact BIXOLON or your local dealer.
- Only use an eligible charger.
- Keep away from open flames. (Do not place in a microwave.)
- Do not leave the battery pack inside a vehicle in summertime.
- Do not store or use in a hot and humid place like a sauna with sleeping rooms.
- Do not place the battery pack on a quilt, an electric blanket or a carpet for a long time.
- Do not store the battery pack switched on in an enclosed place for a long time.
- Do not allow the battery port to touch metal items, such as necklace, coin, key or clock etc.
- Use the lithium secondary cell guaranteed by mobile phone manufacturer or BIXOLON.
- Do not disassemble, compress or pierce the battery pack.
- Do not drop the battery pack from a high place or subject it to strong shock.
- Do not expose the battery to high temperatures over 60oC.
- Do not expose to humidity.

### **Disposal Directions**

- Do not dispose of used battery packs carelessly.
- Do not burn or throw in a fire to dispose of the battery pack. There is a risk of fire and/or explosion.
- Dispose of battery packs according to the methods defined by your country or region.

### **Recommendation for Charging**

- Charge your battery pack according to the instruction manual to avoid risks of fire or explosion.

### **FCC compliance Information**

This device complies with Part 15 FCC Rules. Operation is subject to the following two conditions: (1) This device may not cause harmful interference, and (2) This device must accept any interference received, including interference that may cause undesired operation.

### **Information to the User**

**NOTE:** This equipment has been tested and found to comply with the limits for a Class B digital device, pursuant to Part 15 of the FCC Rules.

These limits are designed to provide reasonable protection against harmful interference in a residential installation.

This equipment generates, uses, and may radiate radio frequency energy and, if not installed and used in accordance with the instructions, may cause harmful interference to radio communications. However, there is no guarantee that interference will not occur in a particular installation. If this equipment does cause harmful interference to radio or television reception, which can be determined by turning the equipment off and on, the user is encouraged to try to correct the interference by one or more of the following measures:

- Reorient or relocate the receiving antenna.
- Increase the separation between the equipment and receiver.
- Connect the equipment to an outlet different from that to which the receiver is connected.
- Consult the dealer or an experienced radio/TV technician for help.

### **9-3 Label Types**

The label types used with this printer are as follows.

- BIXOLON logo label: PC
- Rating Label: PP
- Other labels: PET