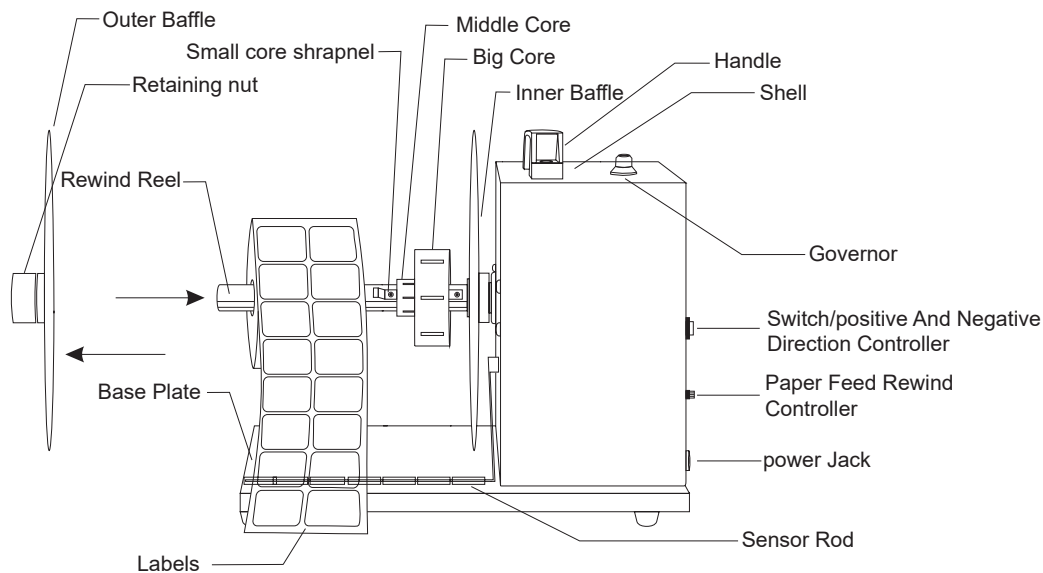
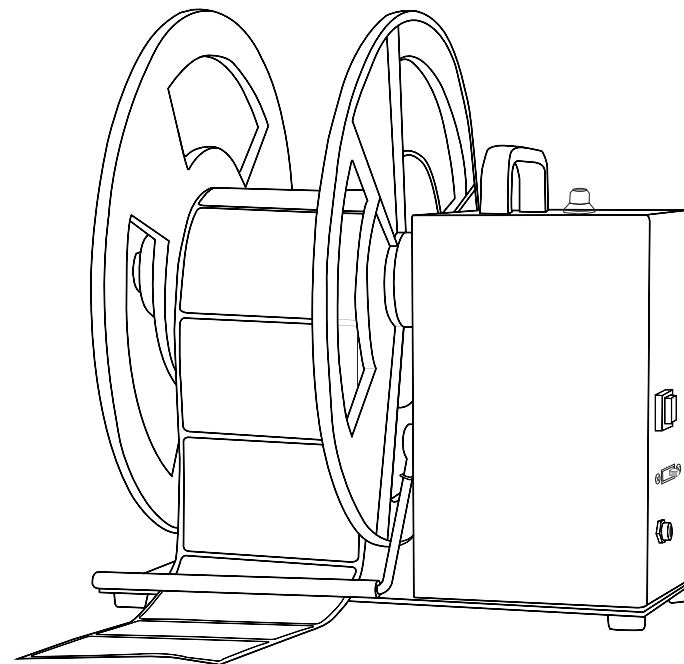




BS-A120 Label Rewinder Installation & Operating Instructions

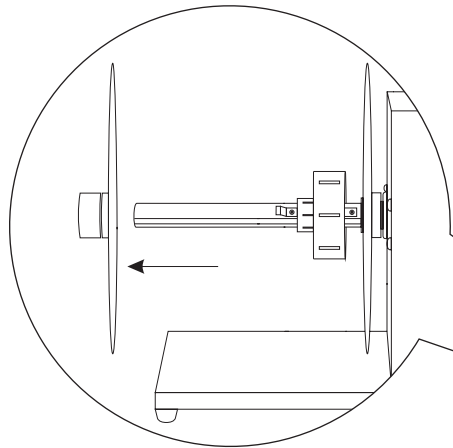
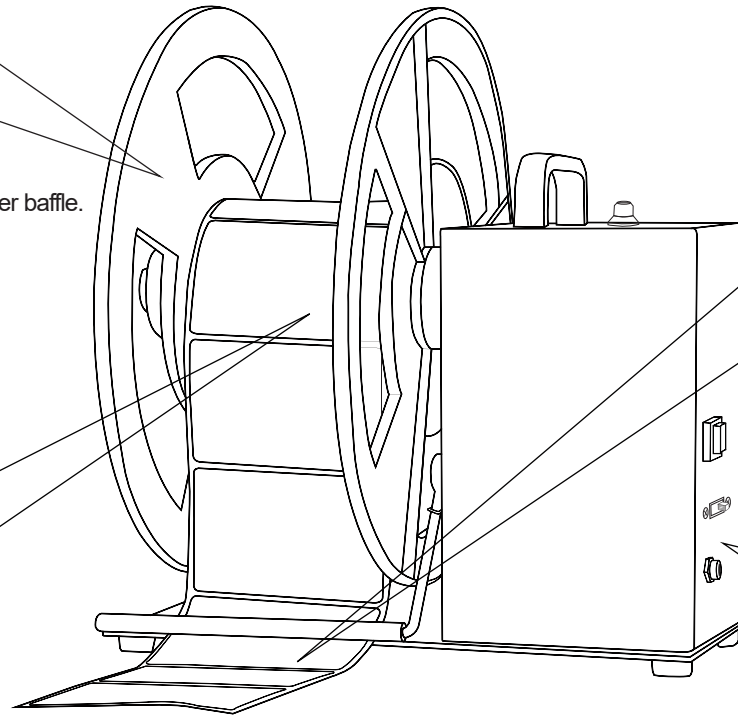


Label Rewinders, No need manual rewind when printing, Resolve trivial manual rewinding process, Reduce labour intensity, Improve label printing quality (labels stick, dust easily or destroy if not rewind on time). It can help enterprises save labor cost, Promote working efficiency, Improve enterprise image, it is the good helper for the labeling personnel, Also it is the good partner for the boss.

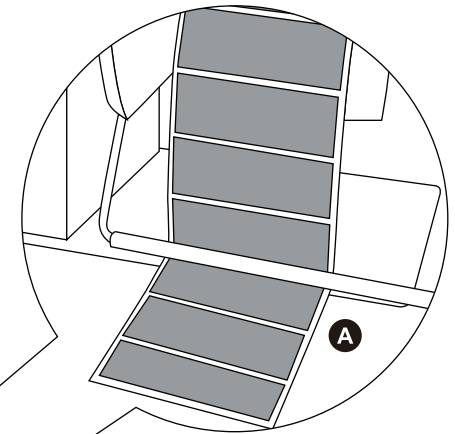




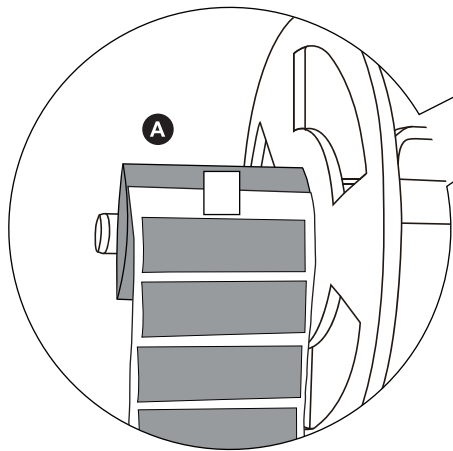
BS-A120 Label Rewinder Installation Diagram



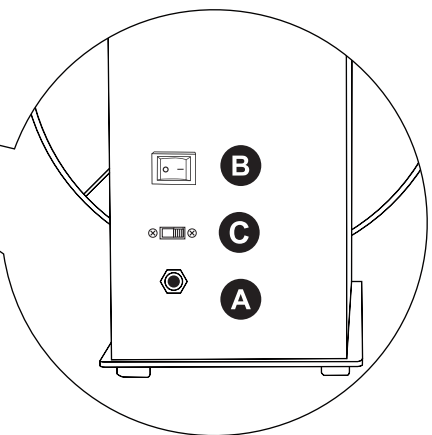
- 1** A. Loosen the retaining nut sleeve by clockwise, take out outer baffle.
B. Insert empty paper core into rewind reel.



- 3** A. Roll labels onto the empty paper core, pass labels through under the sensor rod, move outer baffle to the outside of the paper core, tighten the retaining nut sleeve. Move outer baffle position to adjust according to paper core.



- 2** A. Inset empty paper core into rewinding core.
B. B. Paste the end of the label to the paper core and fix it.



- 4** A. Plug in the power supply;
B. Turn on the power switch and adjust according to actual needs. Positive reversal (middle off, left anti-right);
C. Adjust the paper feeding and rewinding (to the left to feed the paper, Right turn back to the volume).