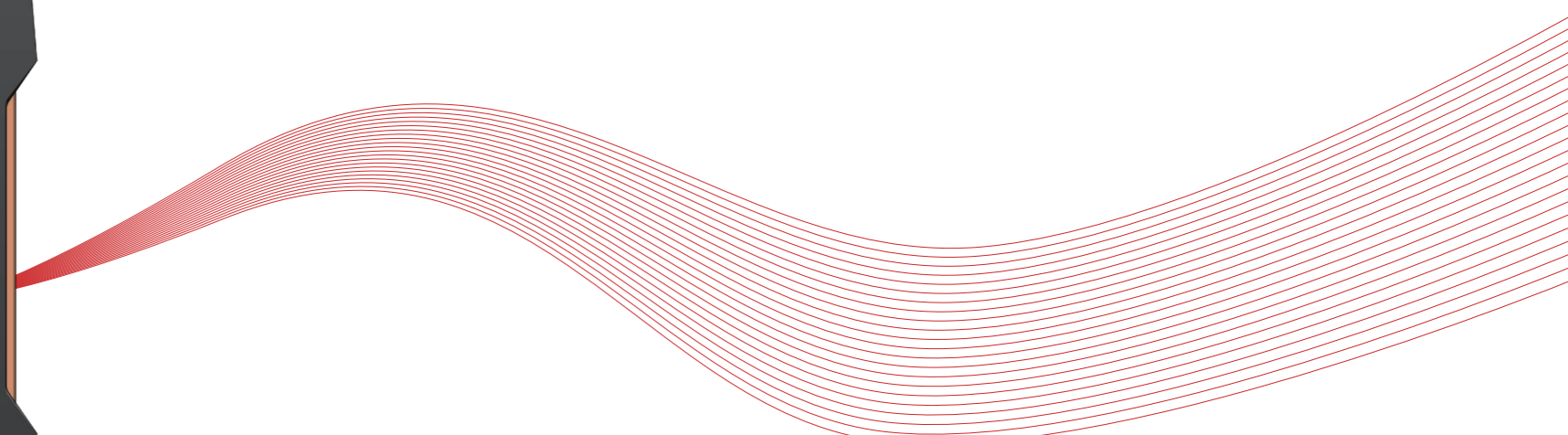
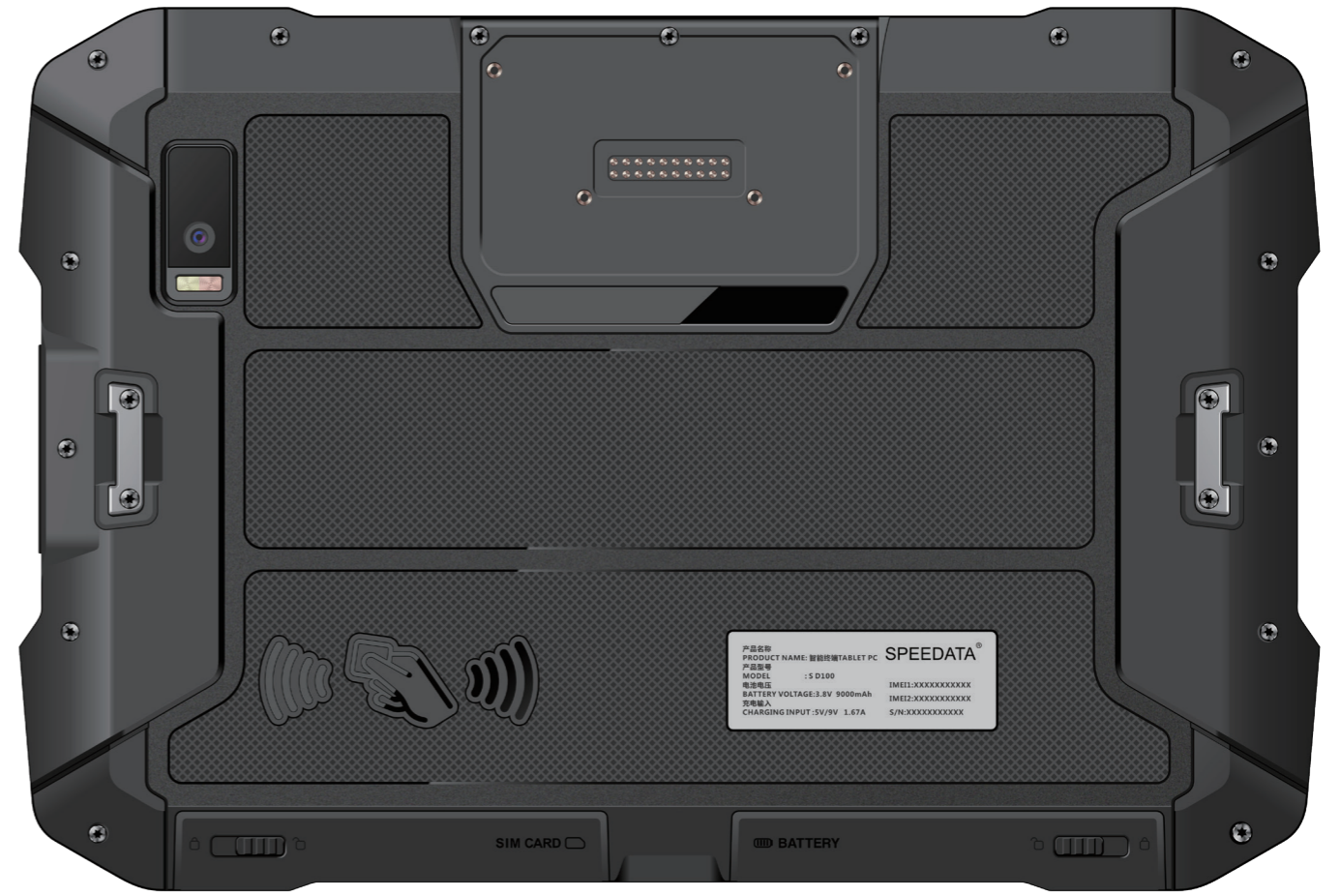


5G SD100Plus Multi-functional Industrial Tablet



Leave the old heavy tablet behind
and embrace the ultra-thin trend now



5G-Stunning you with powerful performance

- Android 11
- CPU: Octa-Core 2.2GHz
- 4GB/6GB RAM + 64GB/128GB ROM
- 5G/4G/3G/2G support
- SA/NSA Support
- 2.4GHz/5GHz dual Wifi
- BT5.1(BLE)



Built-in RFID UHF module (optional)

Reading distance: outdoor reading distance >1.5m, indoor >3m
Group reading rate >30 tags per second

Support NFC function

For identification, authority management, etc.
Support ISO14443A/B, ISO15693



Detail design

10-inch WUXGA large screen, small size, high screen-to-body ratio,
total weight of 800g



Excellent and extraordinary experience

Rate of enclosure: IP65

No fear of wind, rain and dust
Being protected in detail



1.2M drop protection

Rugged and reliable, fits all needs in various situation



Detail Design

Four corners use the encapsulated design, both beautiful and protectional.



Many physical buttons make it easy to quickly switch among different applications.



Scene application

Finance



Patrol Inspection



Manufacturing



Surveying and Mapping



Super battery capacity

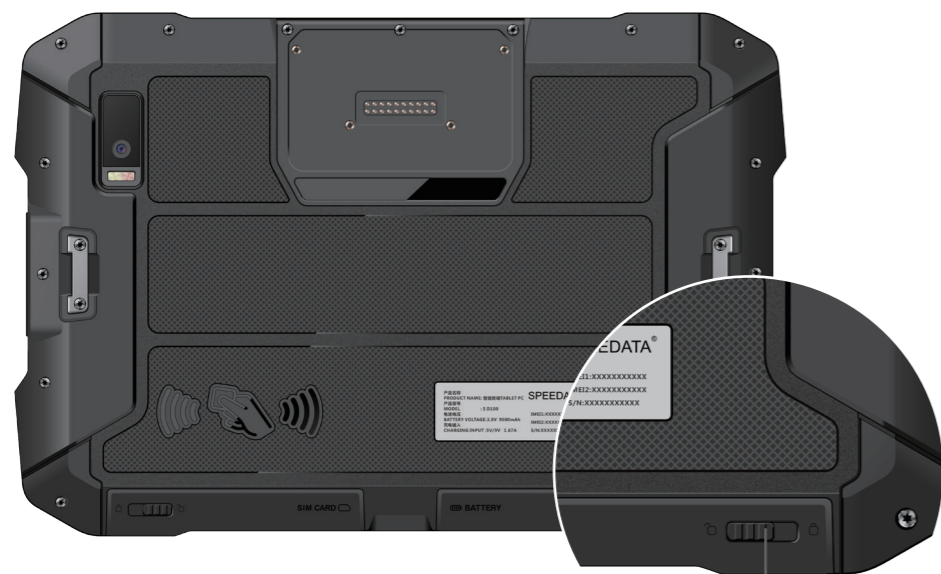
9000mAh detachable battery

Battery could be replaced while running out of power quickly and conveniently.



Hot plug

Built-in 60mAh backup battery, can replace the battery without power off.



This area is for battery that could be taken down and replaced.

5G SD100Plus Basic parameters

CPU	Octa-core 2.2GHz	Operating temperature	-20°C to +55°C
OS	Android 11	Storage temperature	-30°C to +70°C
RAM	4GB or 6GB	Operating humidity	5% to 95%
ROM	64GB or 128GB	IP class	IP65
Camera	Rear camera 13MP AF High light LED flash Front camera 5MP FF	Drop test	Six sides can stand the impact of 1.2m drop to concrete floor.
Display size/type	10.1-inch IPS high light screen	ESD	±15kV Air Discharge, ±8kV Contact Discharge
Resolution	1200*1920	Certificate	CCC、CE
Touch screen	5 point capacitive touch screen	NFC	Supported protocol: ISO14443A/B, ISO15693 Reading distance: 0-5cm
Dimension	254*176*17.4mm	Barcode scanning Supported code system (optional)	Newland CM60 Supported code system :EAN13, EAN8, UPCA, UPCE, Code 128, Code 39, Codabar UCC/EAN128, RSS, ITF, ITF14, ITF6, ISSN ISBN, Standard 25, Matrix 25, Industrial 25 Plessey, MSI Plessey, Code 11, Code 93 PDF417, QR Code, DataMatrix, AZTEC Hanxin Code, Maxicode, Micro QR, Micro PDF417 Composite
Weight	800g	RFID (UHF) (optional)	Protocol standard: ISO18000-6C Working frequency: China (920-925MHz), North America (902-928MHz), Euro f frequency (865-867MHz); Antenna parameter: ceramic chip antenna (1.5dBi); Power: working voltage 4V-5V, RF output 5dBm to 30dBm(1W), 1dBm adjustable; Standby power consumption is about 0.25W, maximum 5W (typical 4W); Reading distance: indoor environment> 3m, outdoor>1.5m; Group reading rate > 30 tags per second
Battery capacity	9000mAh	Explosion-proof (optional)	Sign of explosion-proof: Ex ib IIC T4 Gb Certificate number: CCRI 19.2400X
Charging	PE fast charging, full charging time<4 hours	Optional accessories	
BT	BT5.1 BLE	DC 100 Single charging base	input: 9V 2A 2 USB A-type ports
Wi-Fi	IEEE 802.11 a/b/g/n/ac 2.4G 5G dual band Support fast roaming		
WWLAN	FDD-LTE B1/B3/B5/B7/B8/B28A TDD-LTE B34/B38/B39/B40/B41 WCDMA B1/B2/B5/B8 GSM B2/B3/B5/B8 CDMA1x/CDMA2000 BC0 NR N1/N3/N28A/N41/N77/N78/N79		
GPS	GPS+BD+GLONASS		
Audio	Dual front stereo speakers, Volume 90db ±3db (test distance: 10cm)		
Sensor	Geomagnetism, acceleration, light perception		
Interface	2*Micro SIM card slots 1*Micro SD card slot, up to 128g USB TYPE-C interface, support OTG Fast charging 5V/9V 1.67A 3.5mm headphone jack Bottom charging pins Back expansion interface		
Button	12 buttons		
Notification	Sound, vibration, LED prompt		

Standard accessories :

Battery 1pc, Power Charger 1pc
Data Cable 1pc , Hand Strap 1pc

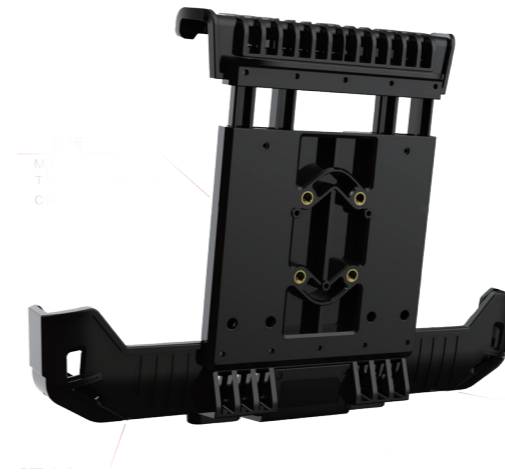


Data Cable

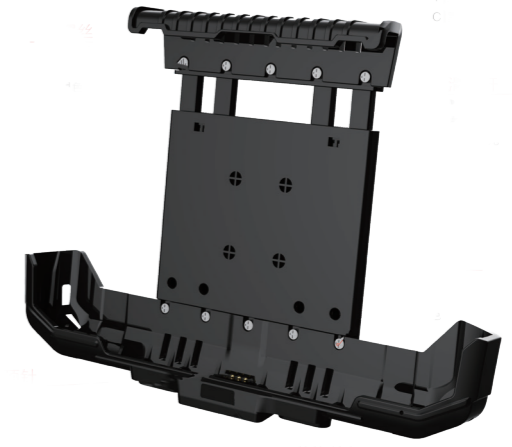


3 in 1 plug power charger

Optional accessories :



Charging Cradle



Battery



Hand Strap



Holder

