

Omni-ID® Power 50 Tag (BAP)

The Omni-ID Power 50 utilizes the latest Battery Assisted Passive technology and is a rugged tag capable of extreme impact resistance and tremendous performance. Offering active tag read ranges (UP to 50m) on, off, or near metals, with passive tag infrastructure costs, the Power 50 is often deployed in outdoor heavy industrial environments anywhere in the world.



Building Intelligent Supply Chains

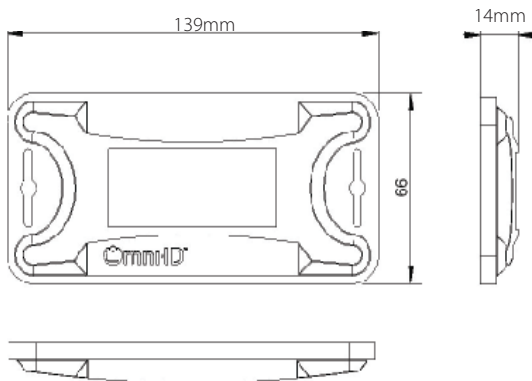
With an excellent read range across all geographic regions and a durable, high heat resistant encasement, the Power 50 is best suited to asset tracking, particularly in harsh environments including:

- ▶ Container tracking for yard management
- ▶ Cargo tracking
- ▶ Defense asset management

Physical Specifications

Encasement	Polycarbonate
Size (mm)	139 × 66 × 14.0
Size (in)	5.51 × 2.6 × 0.55
Weight (g)	87

Dimensions



Dimensions in mm

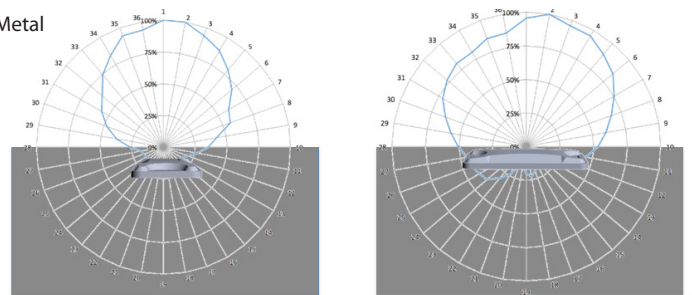
RF Specifications

Frequency Range (MHz)	866-868 (EU) 902-928 (US)
Read Range – Fixed Reader ¹	Up to 50m (BAP mode)
Material Compatibility	Balanced On and Off Metal
Battery Life ²	5 years
IC Type	EM 4325
Memory (bits) ³	EPC: 352 bits TID: 48 bits User: 3072 bits

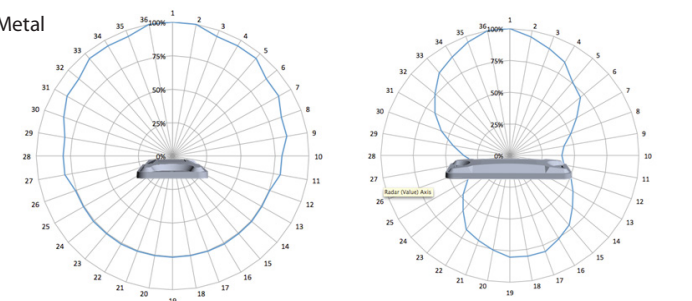
1. Quoted performance achieved using Bi-static reader with sensitivity of -92dBm. Read range will vary with reader hardware and output power.
 2. Based on 2 hours of reading per day at room temperature.
 3. EPC and User memory are reprogrammable at room temperature. TID is locked at point of manufacture.

Radiation Patterns

On Metal



Off Metal



Related Products and Services

- ▶ **Omni-ID P415** - Rugged active tag capable of tremendous performance in harsh environments. Radio communications penetrate snow/moisture and provide exceptional read distance.
- ▶ **Omni-ID Dura 1500**- Designed with heavy industry in mind, this tag features extreme impact resistance and high temperature ratings.
- ▶ **Service Bureau** - Omni-ID offers a full service bureau for printing and pre-encoding Omni-ID tags at point of manufacture.



Environmental Specifications

Storage Temperature	-20° to +60°C
Operation Temperature	-20° to +60°C
Survivability	-20° to +60°C
IP Rating	IP68
Shock and Vibration	MIL STD 810-F
Impact	>15kg from 1m
Attachment	Manual (std) Thin film adhesive (option) Standard foam adhesive (option) Premium foam adhesive (option) Rivets, screws, strap, not provided
Certifications	RoHS approved CE approved
Warranty	3 years (Excluding battery)

Ordering Information

Order Numbers:	OMNI-P50 (EU, US) :701 (Standard Service Bureau)
Options:	:702 (Custom Service Bureau)

Corporate Headquarters:

1200 Ridgeway Avenue
Rochester, NY 14615
585-713-1000
www.omni-id.com

European Office:

The Enterprise Centre
Coxbridge Business Park
Alton Road, Farnham, Surrey
GU10 5EH, United Kingdom

Asian Office:

Sunyoung Center
Room 1308, Unit B
28 XuanHua Rd
Shanghai, China 205002

For product or technology inquiries email:
sales@omni-id.com

Omni-ID office locations: US | UK | China | India | Southeast Asia
For product or technology inquiries email: sales@omni-id.com