

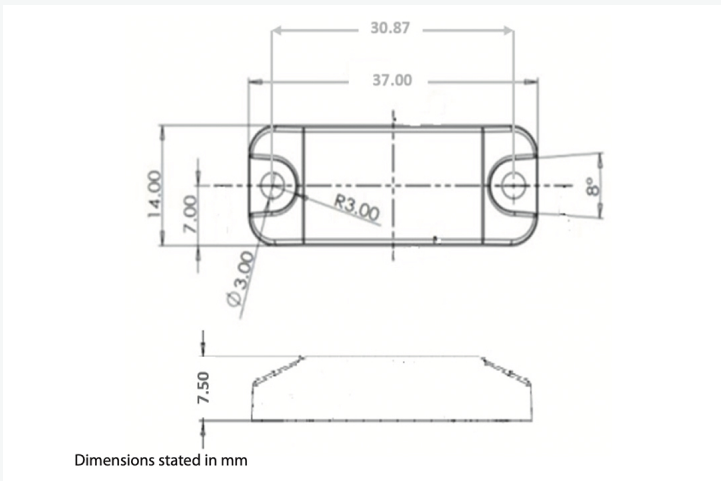
## [ Products ] you can identify with



### Physical Specifications

<b>Material</b>	Thermoplastic cover
<b>Size</b>	37 x 14 x 7.5 mm, 1.46 x 0.55 x 0.30 in
<b>Weight (g)</b>	5.7
<b>Attachment</b>	Mechanical (std) 2 x 3mm holes

### Dimensions



Measurements shown in mm

## Exo 400

Omni-ID Exo 400 is a small form factor, High Temperature RFID tag optimized for metal substrates. With a combined ability to survive high temperatures to 235°C and a rugged encapsulation, this tag is ready for deployment in a variety of applications without sacrificing read range performance.

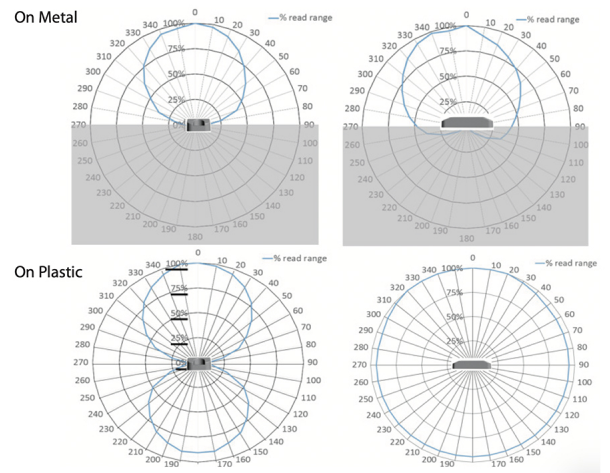


### RF Specifications

<b>Radio Protocol</b>	EPC Class 1 Gen2v2
<b>Frequency Range</b>	866 – 868 MHz (EU) 902 – 928 MHz (US)
<b>Read Range – Fixed Reader</b>	Up to 4m (13.1 feet)
<b>Read Range – Handheld Reader</b>	Up to 2m (6.5 feet)
<b>On Metal or Balanced</b>	Optimized for metal
<b>Material Compatibility</b>	Metal
<b>IC Type (Chip)</b>	Alien Higgs 3
<b>Memory</b>	EPC - 96 bits User - 512 bits Unique TID - 64 bits

EPC and User memory are reprogrammable. UTID is locked at point of manufacture by IC manufacturer.

### Radiation Patterns



## [ Products ] you can identify with



Omni-ID's Exo 400 High Temperature tag is an ideal solution for applications where surviving excessive heat in a rugged environment is needed such as:

- Healthcare sterilization processes
- Automotive post-paint processes
- Manufacturing

### Certifications

CE, RoHS, ATEX/IECEX certified (option), US&Canada (C1D1/D2) certified (option)



### Environmental Specifications

<b>Operating Temperature</b>	-20°C to +85°C
<b>Max Temperature Exposure</b>	-20°C to +235°C
<b>IP Rating</b>	IP68
<b>Shock &amp; Vibration Tolerance</b>	MIL-STD-810 G

### Ordering Information

<b>Warranty</b>	1 year
<b>Product Options</b>	:303 (Customization) :304 (ATEX/IECEX certified) :307 (US&Canada (C1D1/D2) certified) :701 (Standard Service Bureau)
<b>Part Number / Order Codes / Order Numbers</b>	144 - (EU,US)

For product or technology inquiries email: [sales@omni-id.com](mailto:sales@omni-id.com).  
Visit [omni-id.com](http://omni-id.com) to learn more about the complete line of **Omni-ID RFID** products