



# F7G

User Manuals

## APENDIX

Welcome .....	1
Declaration .....	1
Precautions .....	2
1. F7G 10.1"Rugged Tablet PC Overview .....	3
2. Power supply .....	4
3. Specification and features .....	5
4. Accessories .....	6

## Welcome

Thank you for purchasing our product and very appreciate your business support for F7G products. Yours comments, suggestions as well as feedback are our forward motive power always.

This user manual includes very important security remind and information about the product. For better using and enjoying it, we highly recommend you to read the following information before starting to use it.

## Declaration

1. The information in this manual may not, except under written license by the Company, be copied, transmitted, distributed, or stored.
2. Although efforts have been made for correctness and completeness during the preparation of the manual, there is no guarantee that this manual is free from any error or omission. The company assumes no reliability regarding the error or omissions that might exist in the manual.
3. For sustainable development, The company reserves the right to modify and improve any product described in this manual with out prior notice.
4. We are not responsible for the lost of your data in your device under any circumstances.

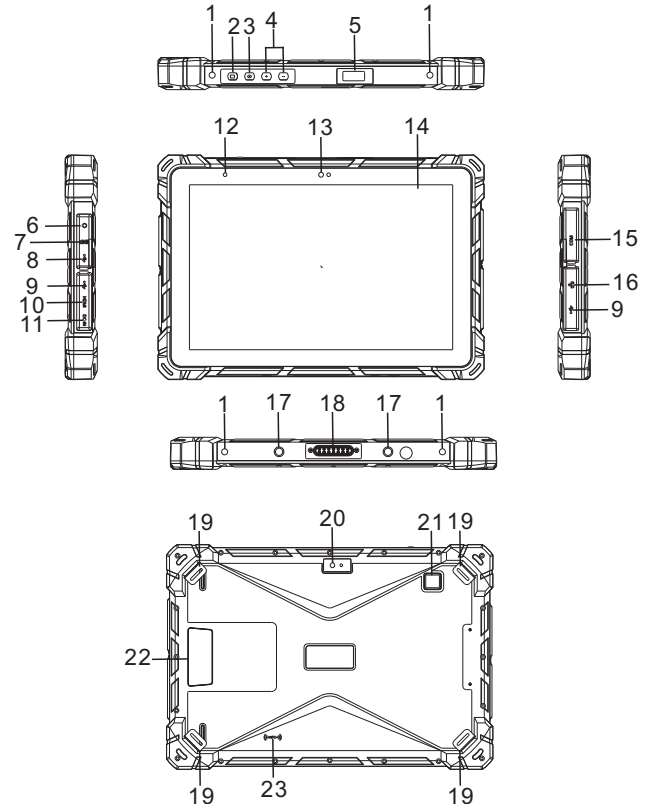
## Precautions

For the correct use and good performance of the device, the user must fully understand the manual as well as strictly follow the instructions provided.

1. Avoid leaving your device in high temperature, high humidity or dusty air-environment.
2. Never knock the main machine violently.
3. Never contact with chemicals such as benzene, thinner etc.
4. Do not close to strong magnetic field, electric field etc.
5. Don't spatter water on the device.
6. Don't clean the device by wet dishcloth
7. Ventilation hole can not be fixed or jammed
8. Never privately disassemble, repair or modify the device.
9. If the power plug can not match your power outlet, please ask for professional electric clerk to change.
10. Kindly power off the device in thunder storm weather or do not use it for long time.
11. Never use higher volume, which may damage your hearing ability
12. Divide scraped packing, old electronic products and dispose them properly.

## 1.F7G/F7G Plus 10.1" Rugged Tablet PC

### A. Connection port 1



1	M4 Screw hole	13	Front camera
2	Scanning head on/off	14	Windows Displat Area
3	Power on/off	15	Rs232 Port
4	Volume+/-	16	Rj45 Port
5	Scanning head	17	Φ6mm location hole
6	Earphone jack	18	Pogo Pin
7	TF Card &SIM Card Slot	19	Bandage hook
8	Type-C 3.1	20	Rear Camera
9	USB3.0	21	Finger Print Sensor Zone
10	Micro HDMI2.0	22	RFID Slot
11	DC input	23	NFC
12	LCD display area		

## 2.Power supply

Kindly use power adapter (12V/3A) qualified to supply power for the device, any damage to device resulted from unqualified or inappropriate power adapter will be born by user.

## 3.Specification and Features

Model Name		F7G
System	CPU	Intel Gemini lake N4120 Quad-Core
	Max.Speed	1.10GHz ~ 2.60GHz
Display&Touch Screen	GPU	Intel UHD 600 Graphics
	Display Type	10.1"
	Max.Resolution	800×1280 1920×1200(Optional)
DDR		8G
EMMC		128G
OS Support		Windows 10 Pro or above
Wi-Fi		WIFI 802.11ac/b/g/n 5G&2.4G Dual-band
Bluetooth		Bluetooth4.2
I/O	Ethernet	1 x RJ45 Gigabit Lan
	COM	1 x RS232
	USB	2 x USB3.0
	Type-C 3.1	1
	Micro HDMI2.0	1 (4K@60fps)
	Audio	1x 3.5mm headphone
	TF Card reader	1 (Support 512G max)
	SIM Card Slot	1 (SIM Slot for 4G LTE)
Buttons		Power on/off,Vol+-.home
Power		DC 12V/3A
Battery volume		5000mAh/7.6V
		8000mAh/7.6V(Optional)
Camera		Front2.0MP+Back 5.0MP
Mechanism	Dimensions	280×184×26.5mm
	Weight	1.1KG
Optional function	ID,2D Barcode scanner	Optional
	GPS	Optional
	Fingerprint	Optional
	NFC	Optional
	4G module	Optional
	RFID	Optional

## 4. Accessories

AC/DC power adapter, English user manual.

Correct disposal of this product waste electrical & electronic equipment (WEEE) Your product is designed and manufactured with high quality materials and components which can be recycled and reused.

This symbol means that electrical and electronic equipment, at their end-of-life should be disposed of separately from your household waste.

Please dispose of this equipment at your local community waste collection/recycling center.

There are separate collection systems for used electrical and electronic products. Please help us to conserve the environment we live in!

### FCC warning

This device complies with Part 15 of the FCC Rules. Operation is subject to the following two conditions;

- (1) This device may not cause harmful interference;
- (2) This device must accept any interference received, including interference that may cause undesired operation.

Note 1: This equipment has been tested and found to comply with the limits for a Class B digital device, Pursuant to part 15 of the FCC Rules. These limits are designed to provide reasonable protection against harmful interference in a residential installation. This equipment generates, uses and can radiate radio frequency energy and, if not installed and used in accordance with the instructions, may cause harmful interference to radio communications.

However, there is no guarantee that interference will not occur in a particular installation. If this equipment does cause harmful interference to radio or television reception, which can be determined by turning the equipment off and more of the following measures.

- Reorient or relocate the receiving antenna.
- Increase the separation between the equipment and receiver.
- Connect the equipment into an outlet on a circuit different from that to which the receiver is connected.
- Consult the dealer or an experienced radio/TV technician for help.

Note 2: Any changes or modifications to this unit not expressly approved by the party responsible for compliance could void the user's authority to operate the equipment.

