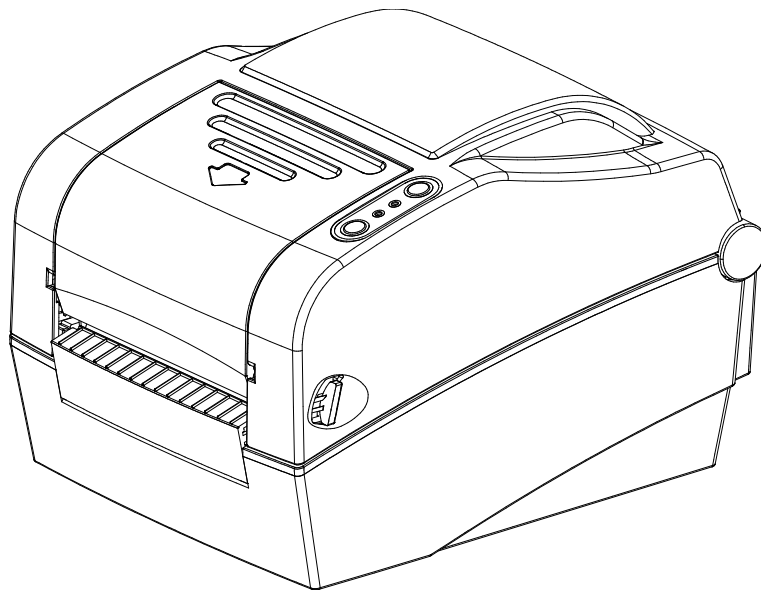


**BIXOLON®**

**User's Manual**  
**SLP-TX420/TX423**

---

**THERMAL LABEL PRINTER**  
**Ver. 1.05**



<http://www.bixolon.com>

# Table of Contents

<b>1. Content Confirmation</b> .....	<b>7</b>
<b>2. Product Part Names</b> .....	<b>8</b>
<b>3. Installation &amp; Usage</b> .....	<b>10</b>
3-1 Power Connection .....	10
3-2 Interface Cable Connection .....	11
3-2-1 Standard Model .....	11
3-2-2 Ethernet Model(SLP-TX42xE) .....	12
3-3 Paper Installation .....	13
3-4 Ribbon Installation .....	14
3-4-1 Type of Ribbon .....	14
3-4-2 Inserting Ribbon .....	15
3-4-3 Ribbon Removal .....	16
3-4-4 Ribbon Sensor Activation .....	16
3-5 Button and LED .....	17
3-5-1 Button Operations.....	17
3-5-2 LED indicator for various printer statuses .....	18
3-6 Test printing .....	19
3-6-1 Printing using Windows driver .....	19
3-6-2 Printing using label design program .....	19
<b>4. Self-Test</b> .....	<b>20</b>
<b>5. Detailed features</b> .....	<b>21</b>
5-1 Printer setting using utility program.....	21
5-2 Stand-alone Configuration Mode .....	22
5-2-1 How to start stand-alone configuration mode .....	22
5-2-2 List of supported functions.....	22
5-3 Pause/Cancel .....	23
5-3-1 Pause/Resume Function .....	23
5-3-2 Print Cancellation .....	23
5-4 Media Calibration.....	24
5-4-1 About media calibration .....	24
5-4-2 When is media calibration required? .....	24
5-4-3 How to perform media calibration .....	24
5-5 Smart Media Detection .....	25
5-6 Gap Sensor Auto Calibration Mode .....	25
5-6-1 Procedure to run the calibration.....	25
5-7 Black Mark Sensor Auto Calibration Mode .....	26
5-7-1 Procedure to run calibration .....	26
5-8 Manual Calibration Mode .....	27
5-9 Cover Closing Mode .....	28
5-9-1 About Cover Closing Mode.....	28
5-9-2 How to switch the printer from Cover Close Mode to Print Standby Mode .....	28
5-10 Data Dump Mode.....	28
5-10-1 How to start Data Dump Mode .....	28
5-11 Factory Reset .....	29

- 5-11-1 How to reset the printer .....29
- 5-12 The Peel-Off (Option) .....29
- 5-13 Using Fan-Fold Paper.....31
  - 5-13-1 Printer Preparation .....31
  - 5-13-2 When using Fan-Fold paper .....31
  - 5-13-3 When using Large-Capacity paper roll (Option).....32
- 5-14 Auto Cutter (Option).....33
- 5-15 Real-Time Clock (Option) .....34
  
- 6. Cleaning Head.....35**
  - 6-1 Cleaning Head.....36
  - 6-2 Cleaning Sensors, Roller or/and Paper Path .....37
  
- 7. Appendix .....38**
  - 7-1 Specifications.....38
  - 7-2 Label Types .....38

## **Manual Information**

This user's guide contains basic information for product usage as well as for emergency measures that may be required.

※ The following separate manuals provide more detailed content on various technological issues and areas.

### **1. Windows Driver Manual**

This manual provides information on the installation instructions and main functions of the Windows Driver.

### **2. Unified Label Utility-II Manual**

This manual provides information on the usage of software for function selection of this product, operating condition modification, etc.

### **3. Programming (SLCS) Manual**

This manual provides information on label printer commands.

### **4. True Font Downloader Manual**

This manual provides information on the usage of the font downloader that can download True Fonts and facilitate their usage as Device Fonts.

### **5. Ethernet interface Manual**

This manual provides information on the configuration and usage of Ethernet interface.

### **6. Label design program Manual**

This manual provides information on the usage of the Windows PC program that can make labels by adding text, graphics, or barcodes at desired positions.

# Safety Precautions

In using the present appliance, please keep the following safety regulations in order to prevent any hazard or material damage.



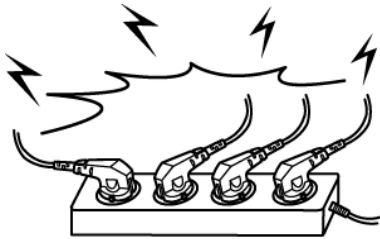
## WARNING

Violating following instructions can cause serious injury or death.

**Do not plug several products in one multi-outlet.**

- This can provoke over-heating and a fire.
- If the plug is wet or dirty, dry or wipe it before usage.
- If the plug does not fit perfectly with the outlet, do not plug in.
- Be sure to use only standardized multi-outlets.

PROHIBIT



**You must use only the supplied adapter.**

- It is dangerous to use other adapters.

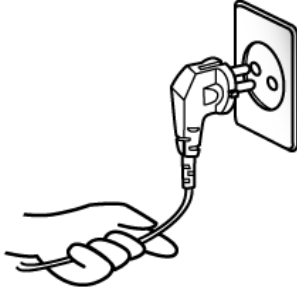
PROHIBIT



**Do not pull the cable to unplug.**

- This can damage the cable, which is the origin of a fire or a breakdown of the printer.

PROHIBIT



**Keep the plastic bag out of children's reach.**

- If not, a child may put the bag on his head.

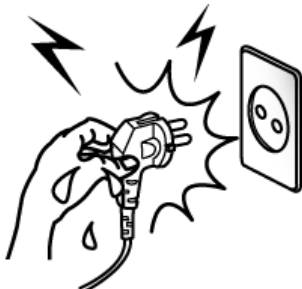
PROHIBIT



**Do not plug in or unplug with your hands wet.**

- You can be electrocuted.

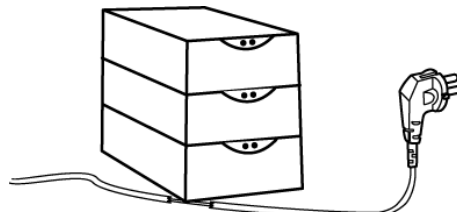
PROHIBIT



**Do not bend the cable by force or leave it under any heavy object.**

- A damaged cable can cause a fire.

PROHIBIT





**CAUTION**

Violating following instructions can cause slight wound or damage the appliance.

**If you observe a strange smoke, odor or noise from the printer, unplug it before taking following measures.**

- Switch off the printer and unplug the set from the mains.
- After the disappearance of the smoke, call your dealer to repair it.

**TO UNPLUG**



**Keep the desiccant out of children's reach.**

- If not, they may eat it.

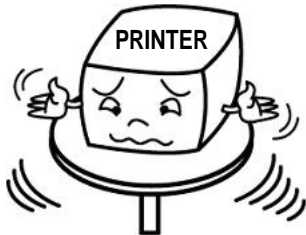
**PROHIBIT**



**Install the printer on the stable surface.**

- If the printer falls down, it can be broken and you can hurt yourself.

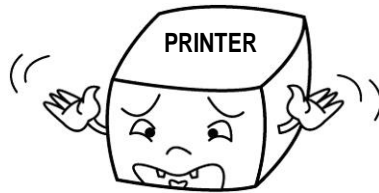
**PROHIBIT**



**Use only approved accessories and do not try to disassemble, repair or remodel it for yourself.**

- Call your dealer when you need these services.
- Do not touch the blade of auto cutter.

**DISASSEMBLING PROHIBITED**



**Do not let water or other foreign objects in the printer.**

- If this happened, switch off and unplug the printer before calling your dealer.

**PROHIBIT**



**Do not use the printer when it is out of order. This can cause a fire or an electrocution.**

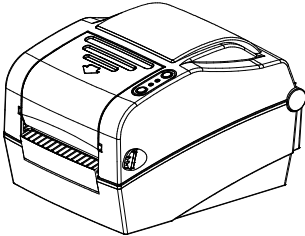
- Switch off and unplug the printer before calling your dealer.

**TO UNPLUG**

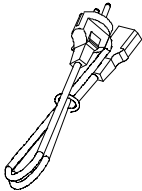


# 1. Content Confirmation

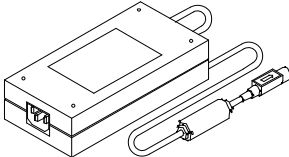
The following items should all be contained in the printer package.  
Contact the dealer from which the purchase was made if any item is damaged and/or missing.



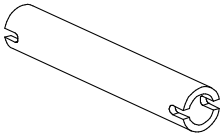
**SLP-TX420/TX423**



**Power Cord**



**AC Adapter**



**Core**



**Quick Manual**

**※ Optional items**



**USB Cable**

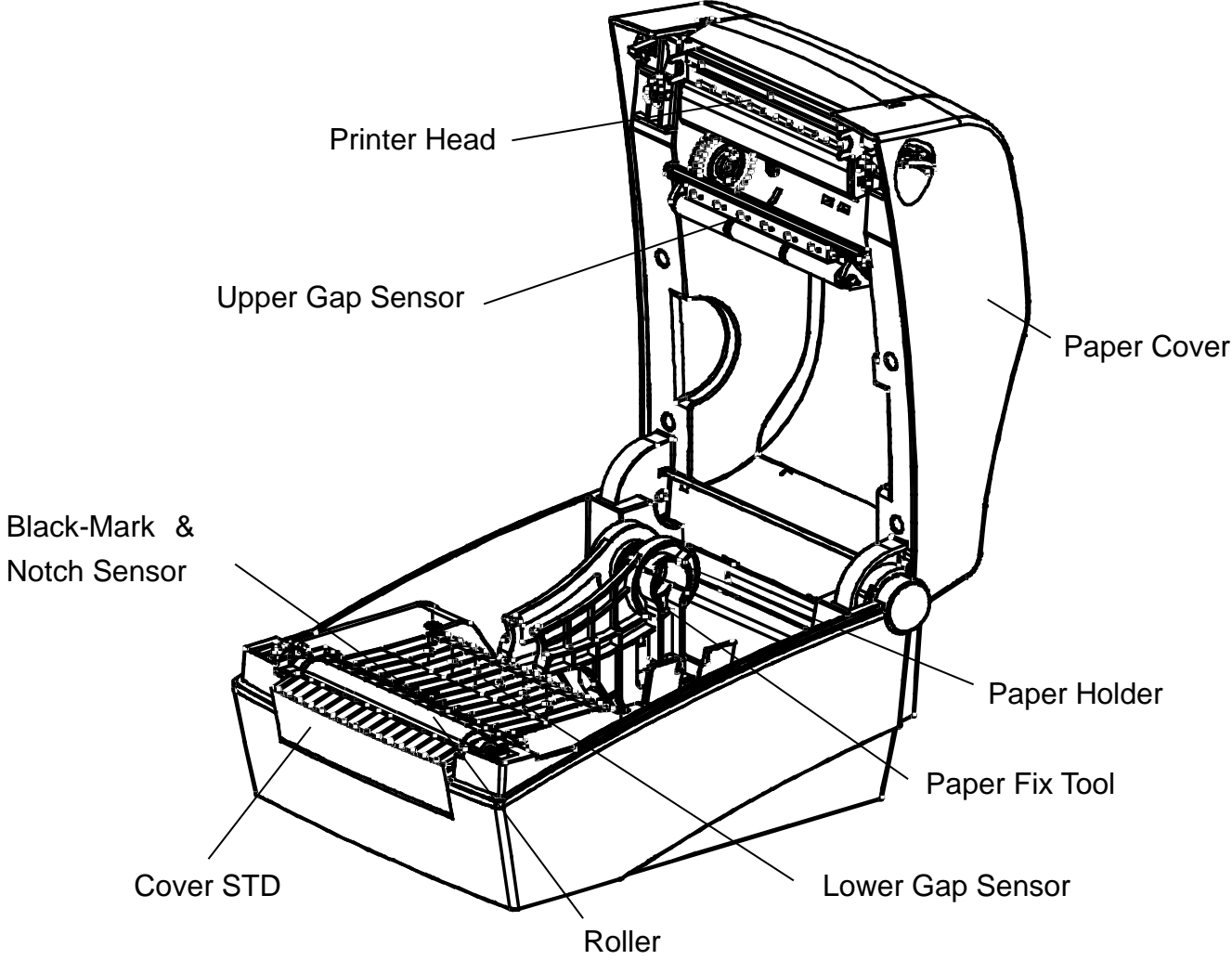
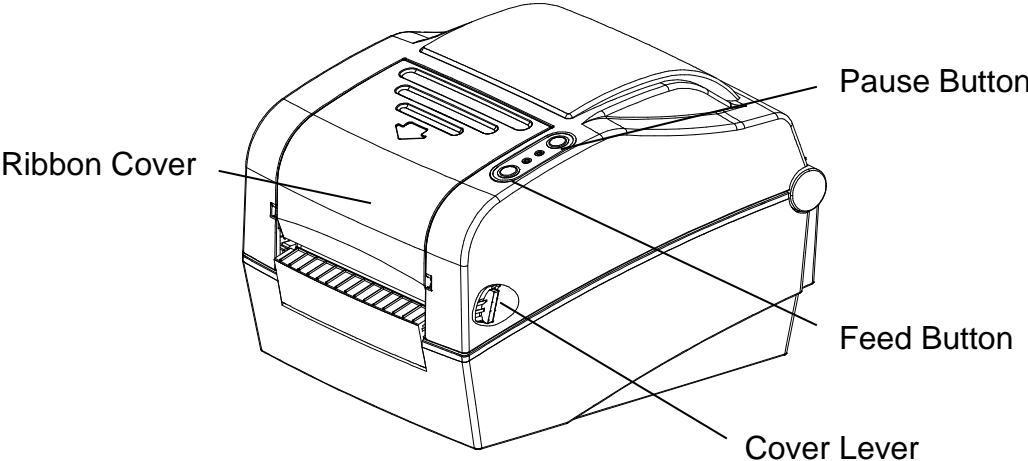


**IEEE1284(Parallel) Cable**

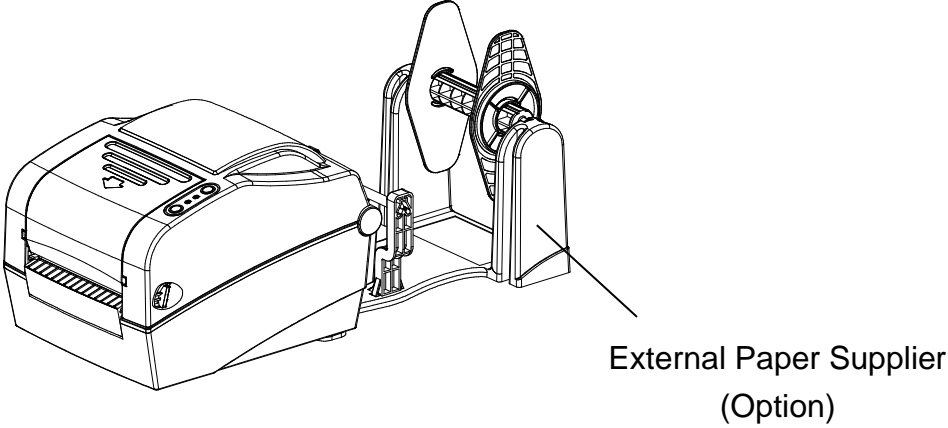
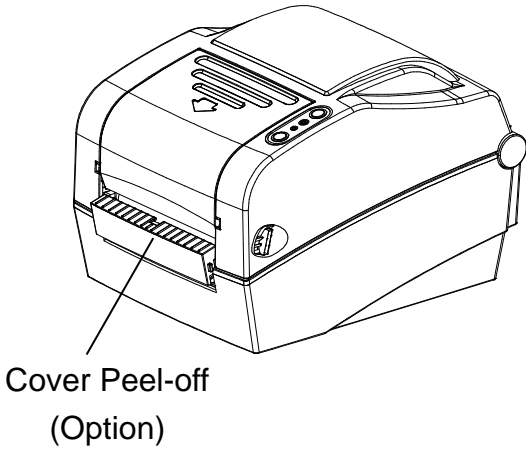
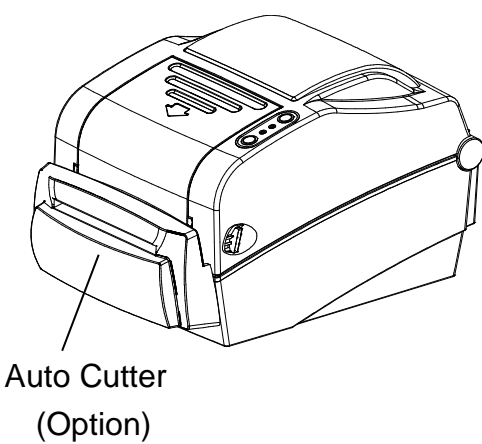
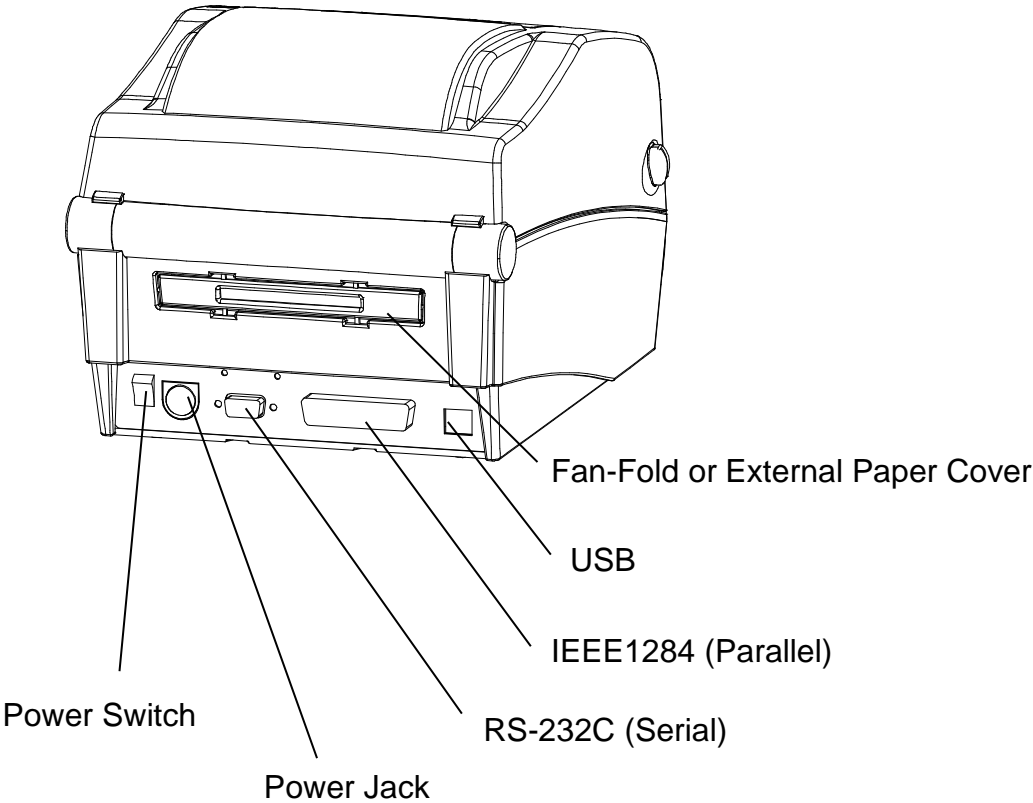


**RS-232C(Serial) Cable**

2. Product Part Names



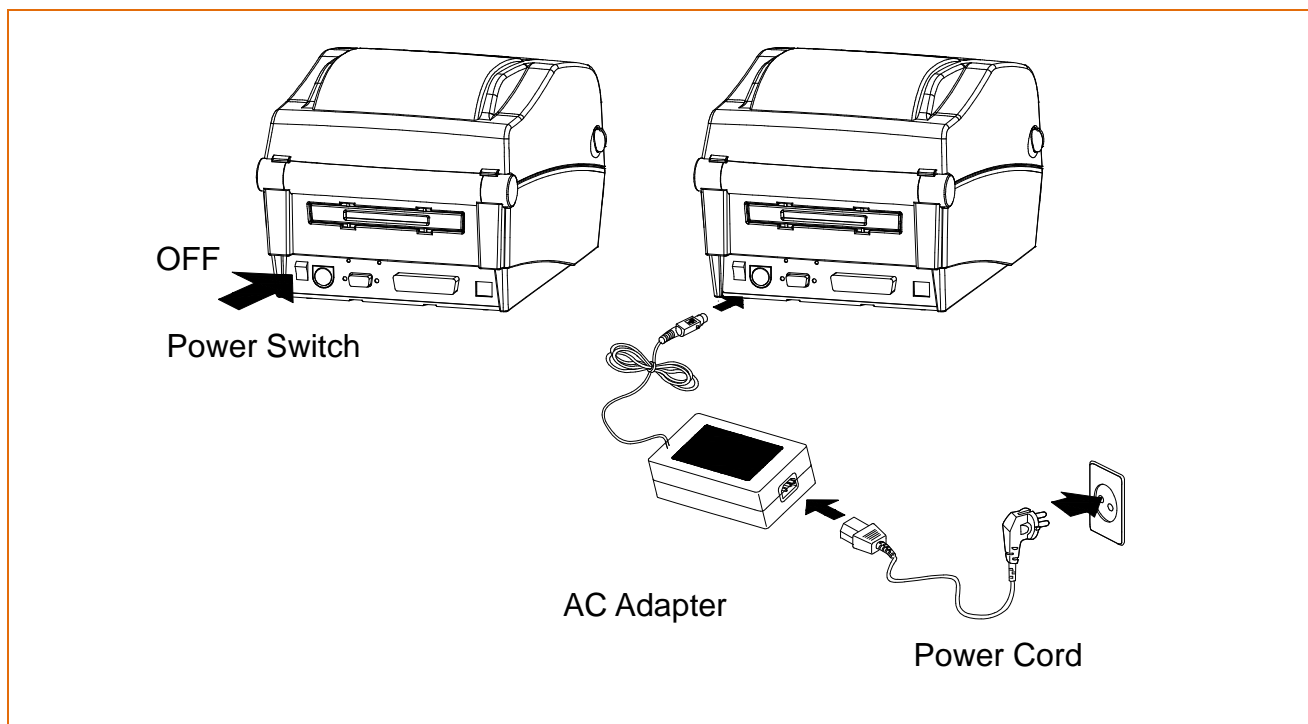




## 3. Installation & Usage

### 3-1 Power Connection

- Connect power to the printer as shown below.



- 1) Turn off the printer power switch.
- 2) Check to see that the AC adapter voltage matches that of the power source.
- 3) Connect the AC adapter jack to the printer power connector.
- 4) Connect the power cord to the AC adapter.
- 5) Connect the power cord to a power source/outlet.

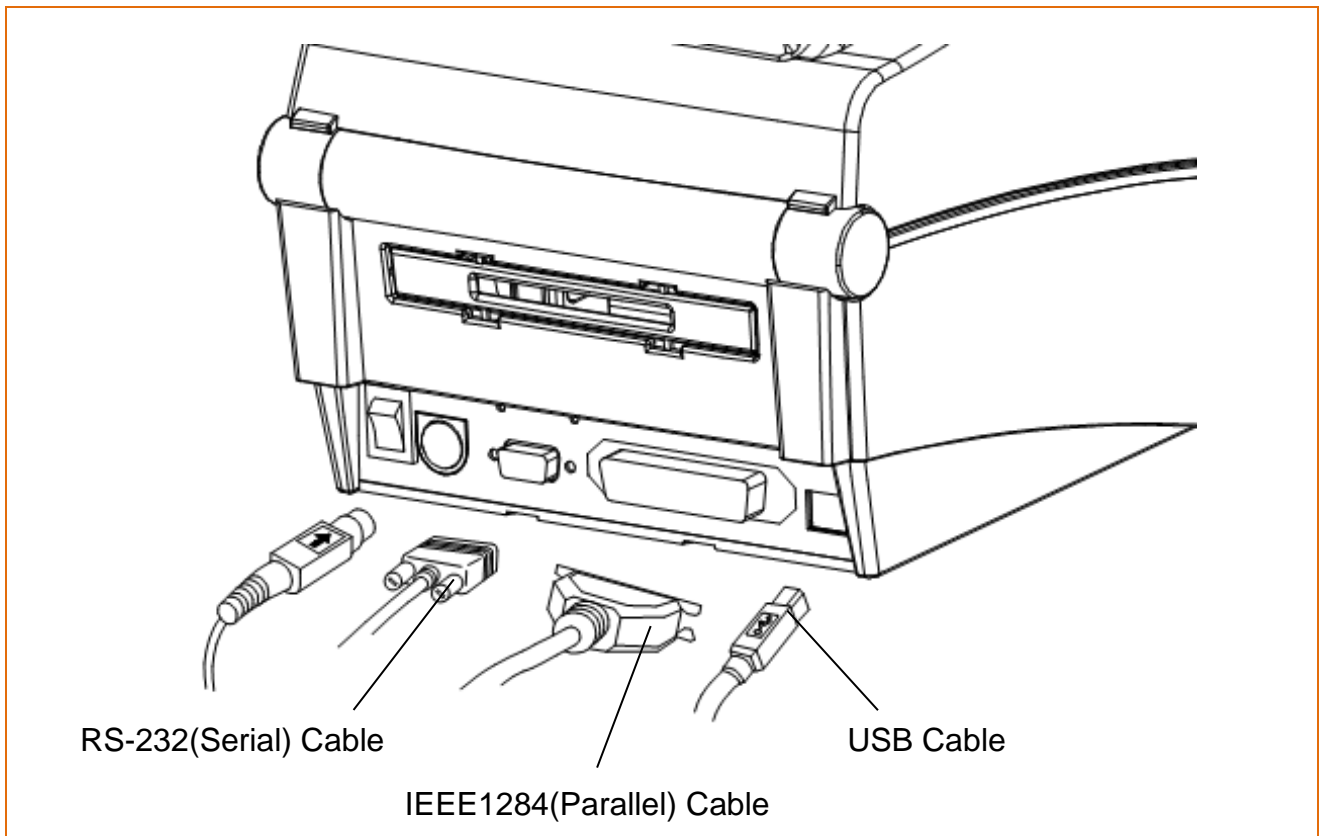
### **3-2 Interface Cable Connection**

#### **3-2-1 Standard Model**

Connect the interface cable as shown below.

This printer supports the following communications interface standards.

- RS-232C(Serial) Cable
- IEEE1284(Parallel) Cable
- USB B-Type Cable



1) Turn off the power switch.

2) Connect the communication cable to the printer communication port to be used.

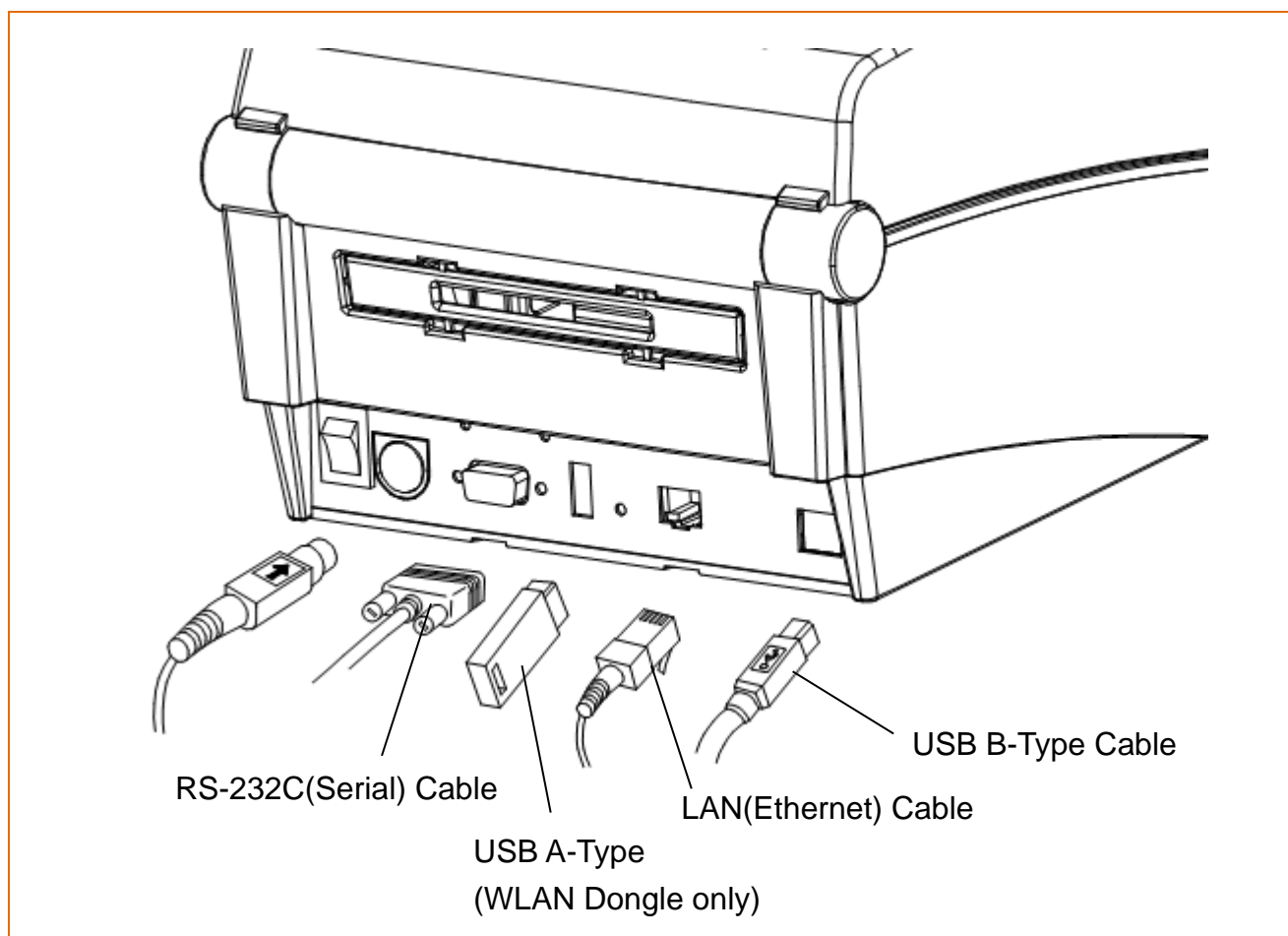
- Connect the RS-232C(Serial) Cable to the SERIAL port.  
and tighten the screw on both sides.  
This port requires a shielded cable less than 1.8m long.
- Connect the IEEE1284(Parallel) Cable to the PARALLEL port.  
and fasten the clips on both sides.  
This port requires a shielded cable with ferrite core less than 1.8m long.
- Connect USB B-Type cable to the USB port.  
This port requires a shielded cable less than 1.8m long.

## 3-2-2 Ethernet Model(SLP-TX42xE)

Connect the interface cable as shown below.

This printer supports the following communications interface standards.

- RS-232C(Serial) Cable
- LAN(Ethernet) Cable
- USB A-Type(WLAN Dongle)
- USB B-Type Cable



1) Turn off the power switch.

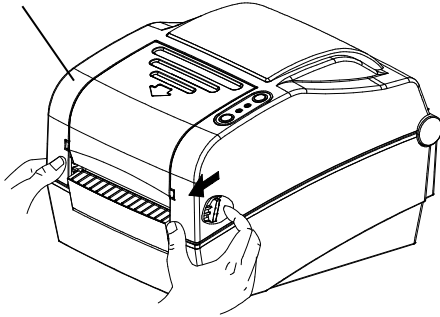
2) Connect the communication cable to the printer communication port to be used.

- Connect the RS-232C(Serial) Cable to the SERIAL port.  
and tighten the screw on both sides.  
This port requires a shielded cable less than 1.8m long.
- Connect the LAN(Ethernet) Cable to the ETHERNET port.  
This port requires a UTP cable(CAT5 or higher) less than 3.0m long.
- Connect USB A-Type(WLAN Dongle only) to the HOST port.
- Connect USB B-Type Cable to the USB port.  
This port requires a shielded cable less than 1.8m long.

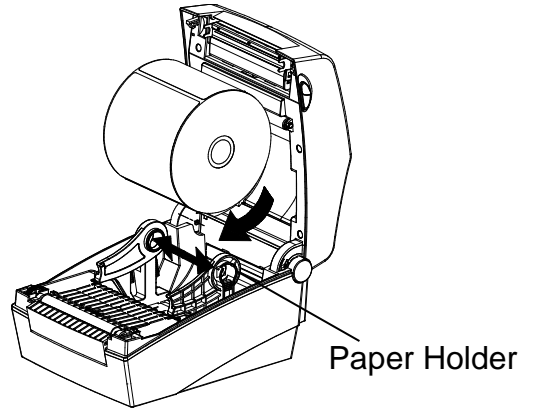
**3-3 Paper Installation**

1) Open the Paper Cover.

Paper Cover

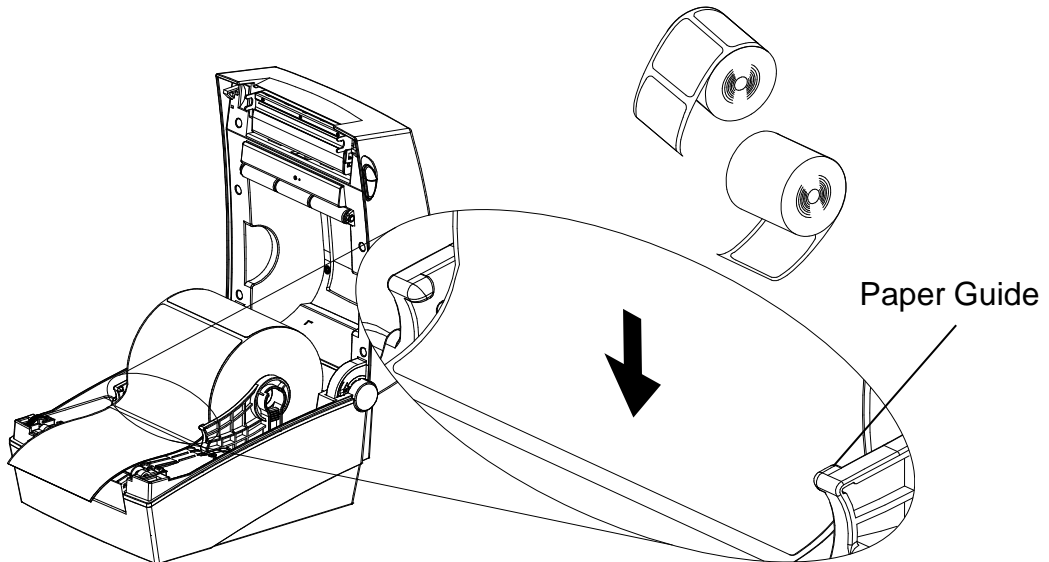


2) Spread the Paper Holder and insert paper roll.

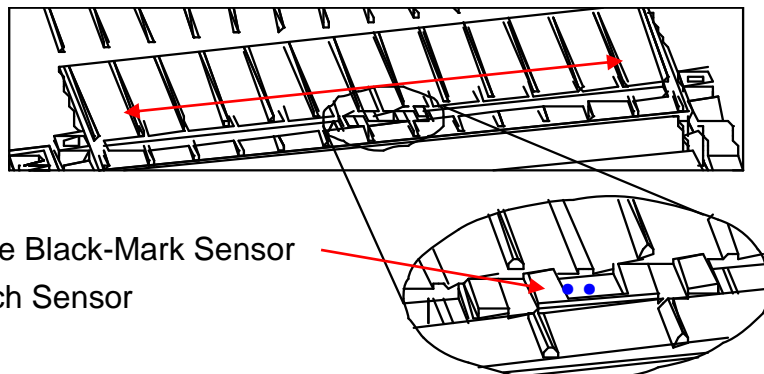


3) Pull the paper so that it extends out of the front of the printer. Push the paper under both of the Paper Guide.

\* Whether the paper label is wound inwards or outwards, its printing surface must face up.



4) If you use Black-Mark or Notch paper roll, please lift up the paper and match the sensor position adjust the black mark or notch hole.



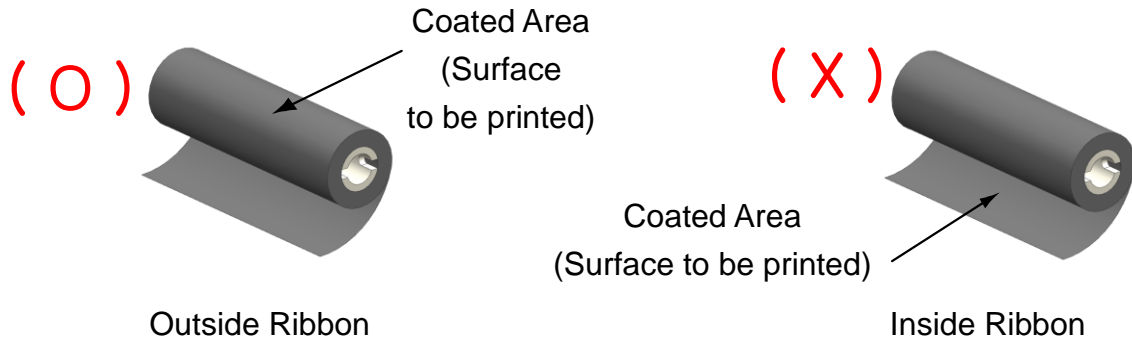
5) Close the Paper Cover until a click sound is heard.

**3-4 Ribbon Installation**

**3-4-1 Type of Ribbon**

1) Type by Film Coating Location

- Take note before ribbon purchase that only ribbons facing outward can be used.



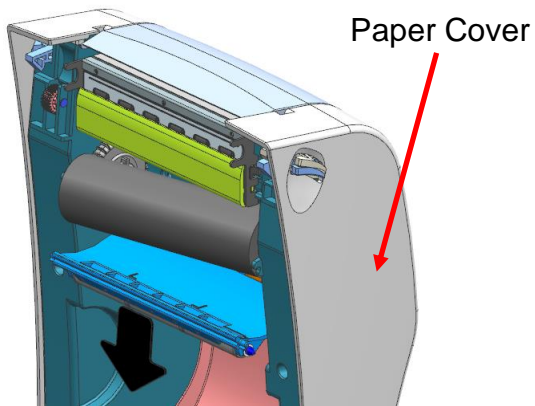
**Note**

Follow the procedure described below to determine the coating surface of the ribbon.

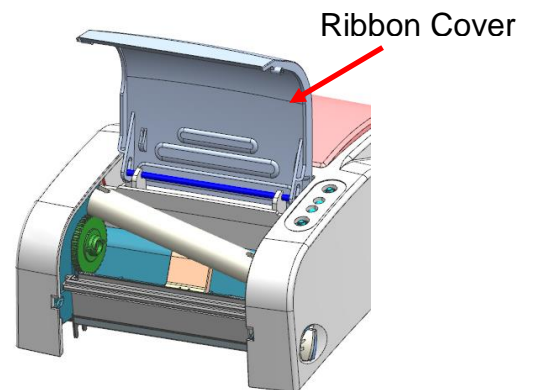
- Ribbon test using adhesive material
  - Perform contact test in order to determine which side is coated if there are useable labels.
- Complete the following steps to carry out the contact test
  - Remove the liner from the label
  - Put a piece of adhesive surface of the label on the outer/inner surface of the ribbon, and apply pressure.
  - Remove the label from the ribbon
  - Check whether adhesive surface of the label is stained by black ink ribbon.

**3-4-2 Inserting Ribbon**

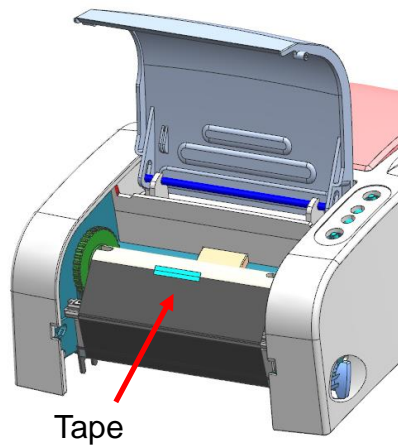
1) Open the Paper Cover and insert the ribbon.



2) Open the Ribbon Cover and insert the core.



3) Apply tape to the coiling portion of the ribbon.

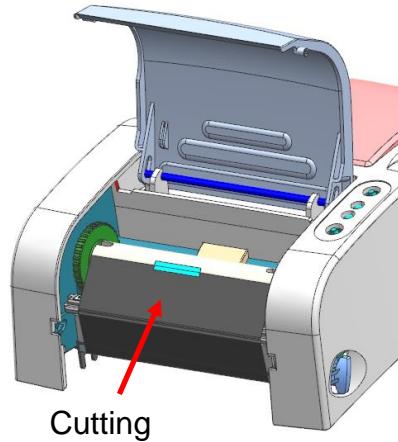


4) Close the Paper Cover until a click sound is heard.

5) Close the Ribbon Cover

## 3-4-3 Ribbon Removal

- 1) When you need to separate the current ribbon, Open the Ribbon Cover and cut it by knife or similar tool. (Take care not to injure hands)



- 2) Open the Paper Cover and remove the ribbon and core by pushing from left to right.

## 3-4-4 Ribbon Sensor Activation

Ribbon detection sensor is disabled by default factory settings. Check the settings related to ribbon detection sensor if printing does not stop when the printer is out of ribbon or ribbon is broken.

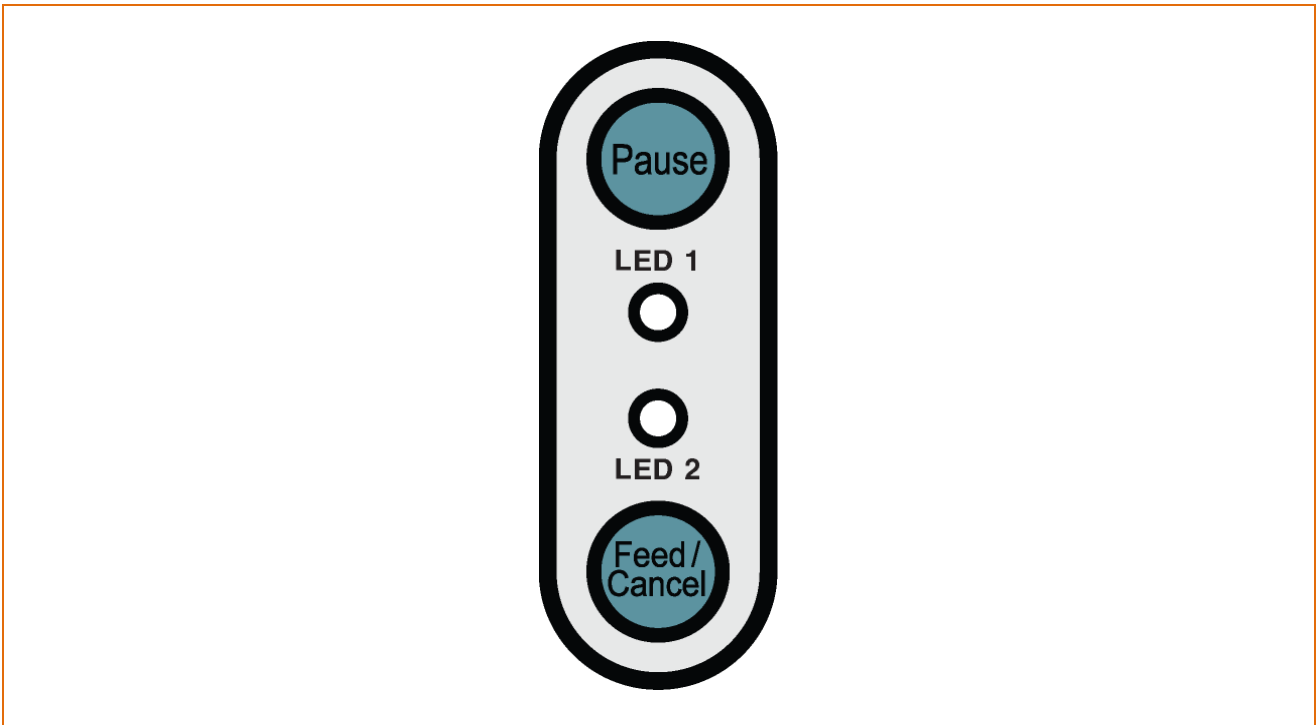
- \* Ribbon detection sensor can be enabled by command control. And default setting can be changed by Unified Label Utility-II.



When replacing a ribbon, keep affixed the core of the fully used ribbon to the ribbon coiling portion on the other side and do not discard as its use is required.



**3-5 Button and LED**



**3-5-1 Button Operations**

Printer state before operation	Button		Operation procedure	Printer operation mode
	Feed/Cancel	Pause		
Power OFF	Press	-	<ul style="list-style-type: none"> <li>Apply power while pressing the button. (Hold the button until the printer starts self-test printing)</li> </ul>	Self-test Printing Mode.
Print Standby	Press	-	<ul style="list-style-type: none"> <li>Press the button softly and release it immediately</li> </ul>	Feed Mode
Print Standby	-	Press	<ul style="list-style-type: none"> <li>Press the button for two seconds and continue to hold</li> </ul>	Stand-alone configuration Mode
During printing	Press	-	<ul style="list-style-type: none"> <li>Press the button for two seconds and continue to hold</li> </ul>	Print Cancel Mode
During printing	-	Press	<ul style="list-style-type: none"> <li>Press the button softly and release it immediately</li> </ul>	Print Pause Mode

3-5-2 LED indicator for various printer statuses

LED 1		LED 2		Printer Status	
Color	Status	Color	Status		
Green	On	Green	On	Print standby mode	Print standby mode
Red	On	Red	On	Error mode	Ribbon is not detected
Red	On	Orange	On	Error mode	Paper jam (gap/black mark is not recognized)
Red	On	Green	Blink	Error mode	Printer head overheating
Red	On	Red	Blink	Error mode	Paper Cover open
Red	On	Orange	Blink	Error mode	No paper
Red	On	-	Off	Error mode	Media calibration failure
Red	Blink	Red	Blink	Error mode	Auto-Cutter error
Orange	On	Orange	On	Mode switching notification	Mode switching notification
Green	Blink	Red	On	Wait for input	Print is paused temporarily. Wait for button input
Green	Blink	Green	Blink	Wait for input	Cover Close Mode. Wait for button input
Green	On	Red	Blink	Wait for input	Print Cancel Mode. Wait for button input

**3-6 Test printing**

3-6-1 Printing using Windows driver

Windows Driver installation files and manuals are provided on the BIXOLON official website. (<http://www.bixon.com>)

Please refer to the manual to install the Windows Driver and print a test page.

3-6-2 Printing using label design program

Label Design Program installation files and manuals are provided on the BIXOLON official website. (<http://www.bixon.com>)

Please refer to the manual to install the Label Design Program and print a test page.

## 4. Self-Test

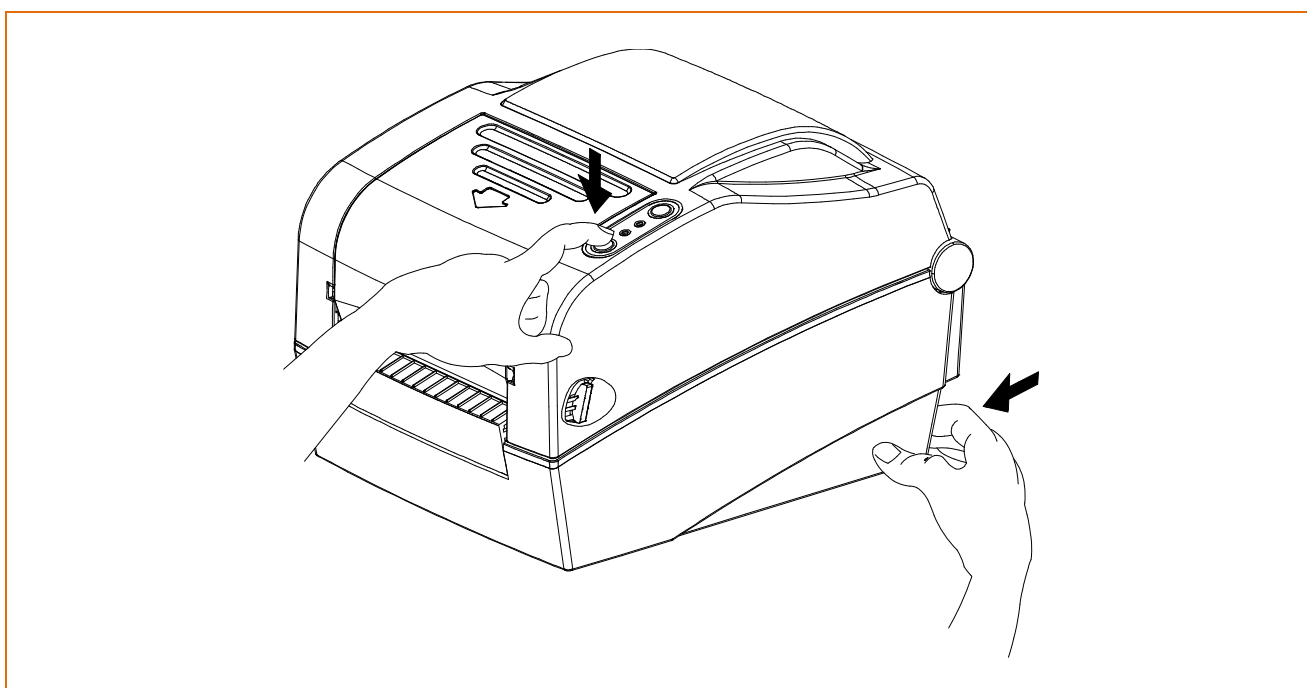
The self-test checks whether the printer has any problems.

- Firmware version, printer configuration information, printing quality checking pattern, and peripheral configuration information, etc.

Users cannot perform this procedure if using the printer's label peel-off option. If the printer does not function properly, contact an authorized dealer.

The self-test checks the following;

- 1) Make sure that the paper roll has been installed properly.
- 2) Turn on the power while pressing the feed button then self-test will begin.  
(Hold the button until the printer starts self-test printing)



## 5. Detailed features

### 5-1 Printer setting using utility program

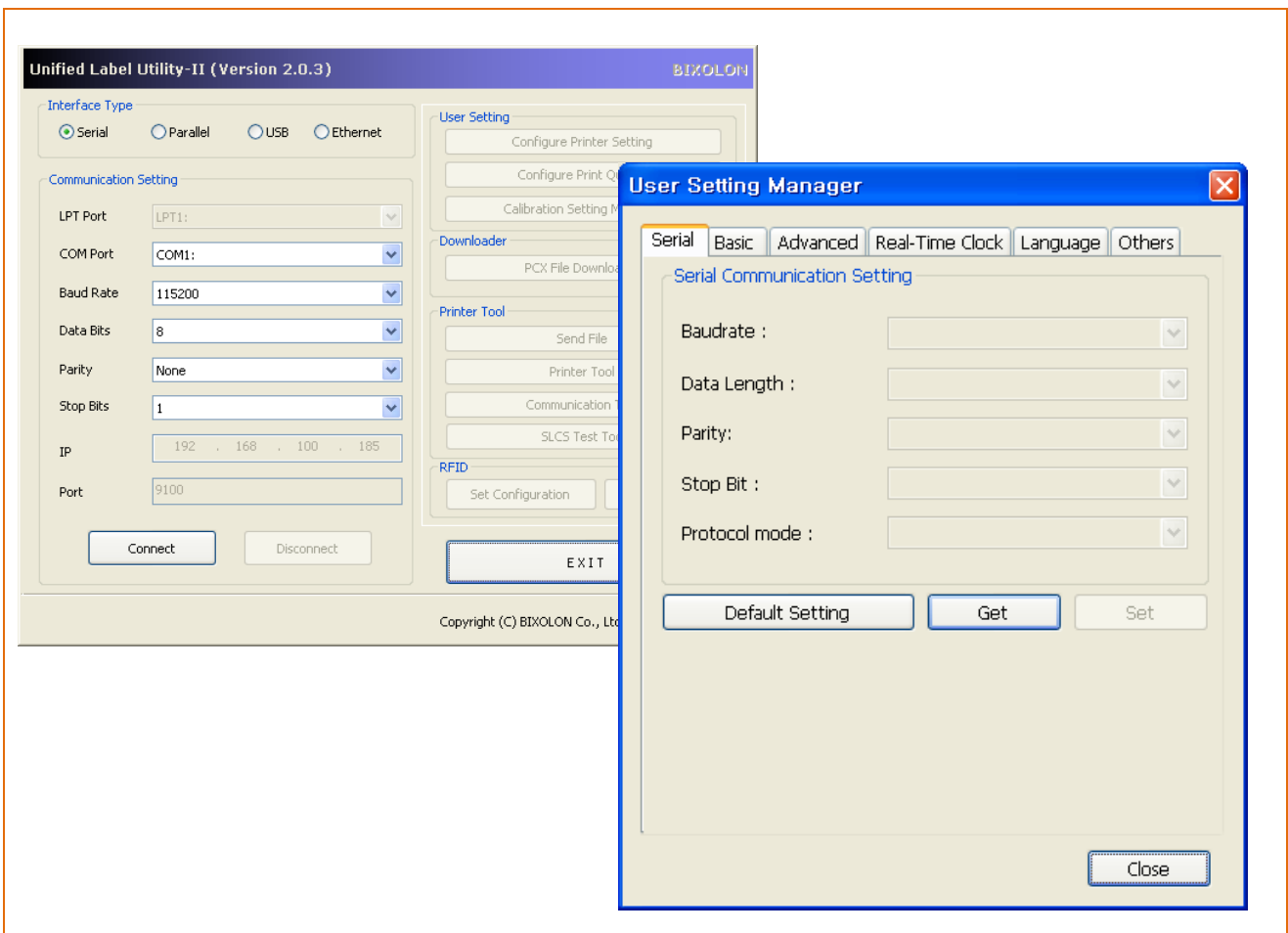
- Various printer settings can be changed using the utility program (Unified Label Utility-II).

Functions that can be used with the utility program are as follows.

- 1) Serial communication settings  
Handshake, Stop bit, Data bit, Parity, and Baud rate can be configured.
- 2) Basic printer settings  
Paper size, printing speed and density, paper type, and use of ribbon can be configured.
- 3) Language setting  
Code page can be configured.
- 4) Media sensor manual calibration function  
This function can be used to detect special type or special material paper that is not detected through automatic calibration function. Refer to M Manual Calibration page for more details
- 5) Other functions for printer test are also provided.

Unified Label Utility-II installation files and manuals are provided on the BIXOLON official website. (<http://www.bixolon.com>)

Please refer to the manual to install the Unified Label Utility-II and print a test page.



**5-2 Stand-alone Configuration Mode**

- Various modes can be executed using buttons and LED only.

**5-2-1 How to start stand-alone configuration mode**

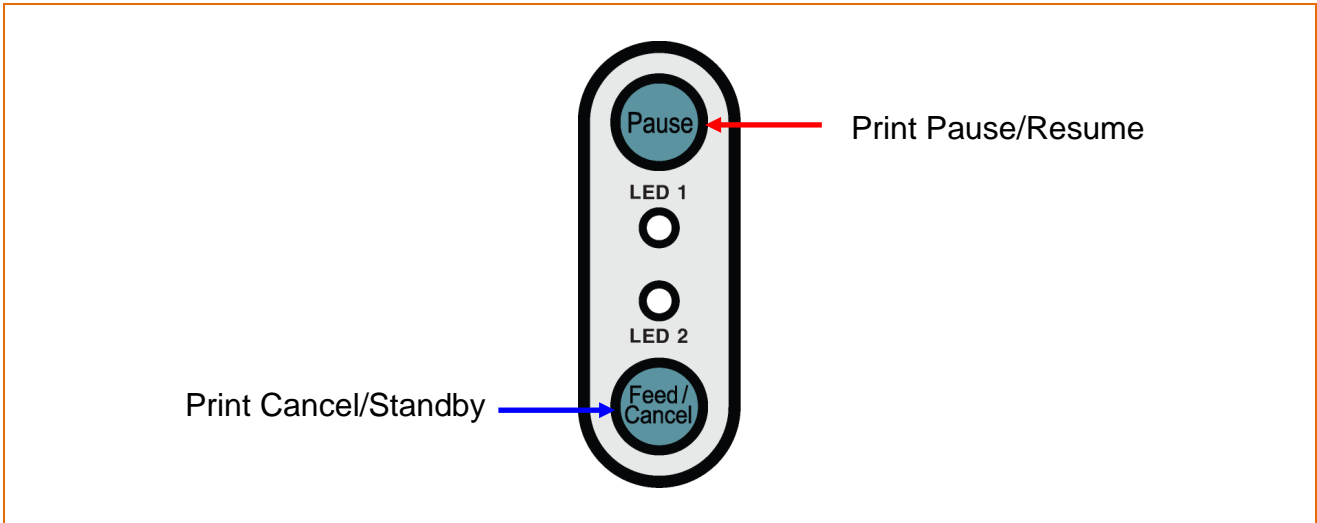
- 1) The printer mode is set to Printer Setting Mode when the Pause button is pressed for two seconds while in Print Standby Mode.
- 2) Both LEDs will change to orange color and the printer will be set to Stand-alone Configuration Mode.
- 3) When the printer enters into this mode, the status of LED 1 and LED 2 are changed sequentially.
- 4) When the Feed button is pressed at specific LED color combination, the corresponding printer operation will be selected.

**5-2-2 List of supported functions**

Sequence number	LED 1		LED 2		Printer operation
	Color	Status	Color	Status	
1	Green	On	Green	Blink four times	Print Configuration Info.
2			Orange	Blink four times	Print File List
3			Red	Blink four times	Factory Reset
4	Orange	On	Green	Blink four times	Gap Sensor Auto Calibration
5			Orange	Blink four times	B/M Sensor Auto Calibration
6			Red	Blink four times	Data Dump Mode
7	Red	On	Green	Blink four times	Demo Mode
8			Orange	Blink four times	Line Mode
9			Red	Blink four times	Download Items Delete

## **5-3 Pause/Cancel**

- During multiple-page print jobs, the Pause and Cancel button can be used to temporarily cease printing and cancel the print job altogether, respectively.



### 5-3-1 Pause/Resume Function

- 1) When printing labels, pressing the Pause button
- 2) The printer will pause after finishing the current label printing and the status of LED will be as follows.
  - LED 1: Green Blink
  - LED 2: Red On
- 3) While the print job is paused, press the Pause button again to resume printing.

### 5-3-2 Print Cancellation

- 1) During label printing and/or pause mode, pressing the Cancel button enters the print cancellation mode.
- 2) The following processes occur in the print cancellation mode.
  - All label printing cancelled
  - All data received in the printer communications buffer deleted.
  - All received data deleted.
- 3) The LED Status in the print cancellation mode can be as follows.
  - LED 1: Green On
  - LED 2: Red Blinking
- 4) While in the print cancellation mode, press the Cancel button again to return to print standby mode.

## **5-4 Media Calibration**

- This printer has been designed to recognize the gaps with most print papers, but sometimes it may not recognize the gap and keep feeding paper if a special type of paper is used. In this case, run Auto Calibration function so that the printer can recognize the gap. BIXOLON printer provides various media calibration methods in order to accommodate various special paper types.

### 5-4-1 About media calibration

- This function is for adjusting the sensitivity of the paper detection sensor for accurate printing position control and measuring actual length of paper.
- Sensor sensitivity adjustment
  - The purpose is to detect the identifier (gap/black mark/groove) of installed label
- Paper length measurement
  - Accurate length is required to rotate the printing orientation.
  - The purpose is to detect the change of paper type.

### 5-4-2 When is media calibration required?

- When the printer is installed first time
- When the newly installed paper is a different paper type
- When printer position is not accurate or printer does not stop in the right position

### 5-4-3 How to perform media calibration

- The following four methods of media calibration can be used depending on the conditions.
  - Smart Media Detection
  - Gap Sensor Auto Calibration Mode
  - Black Mark Sensor Auto Calibration Mode
  - Manual Calibration Mode
- Why are several calibration methods provided?
  - Multiple labels should be scanned for media calibration and more accurate sensitivity calibration can be performed when more labels are scanned.
  - The number of labels to scan for sensor sensitivity adjustment depends on various conditions such as label paper material, color, surface status, thickness, gap length, pre-printed pattern, etc.
  - Four different media calibration modes are provided for compromise between prevention of excessive use of paper and accuracy of sensor sensitivity adjustment.
  - Smart media detection mode that allows for adjustment of sensitivity with minimum amount of scanning should be good enough for most cases with general labels.
  - Try various methods in order of Smart Media Detection → Gap Sensor Automatic Calibration → Black Mark Sensor Automatic Calibration → Manual Calibration Mode.



**5-5 Smart Media Detection**

Printer executes this function when necessary without user input and media configuration can be completed with Smart Media Detection function for most print papers.

Papers with gap and black mark can be identified without separate settings.

3 ~ 5 pages of labels will be used depending on the type of paper.

Smart Media Detection function is executed in the followings cases

- When the printer is installed first time, it is executed through Feed button or print command.
- When change paper length is detected during feeding or printing.
- When the paper type entered by command is different from the configured paper type.
- After reset with factory settings

Smart Media Detection function will be turned off after setting the sensor sensitivity using Automatic Calibration Mode or Manual Media Calibration mode, and it will be enabled again after resetting the printer with factory settings.

**5-6 Gap Sensor Auto Calibration Mode**

Use this mode when paper is not detected correctly with Smart Media Detection function.

Printer feeds paper and calibrates Gap Sensor automatically.

The printer will enter error mode if paper detection fails after feeding up to 2 meter of paper. Error mode can be released by opening and closing the cover.

Use Manual Calibration Mode if paper detection fails in this mode.

Smart Media Detection will be disabled if paper detection is successful in this mode.

**5-6-1 Procedure to run the calibration**

- Press the Feed button at 4th LED sequence as shown in section 5-2-2 (LED 1 is Orange and LED 2 is blinking Green four times) to start Gap Sensor Automatic Calibration Mode.

### **5-7 Black Mark Sensor Auto Calibration Mode**

Use this mode when paper is not detected correctly with Smart Media Detection function.

Printer feeds paper and calibrates Black Mark Sensor automatically.

The printer will enter error mode if paper detection fails after feeding up to 2 meter of paper. Error mode can be released by opening and closing the cover.

Use Manual Calibration Mode if paper detection fails in this mode.

Smart Media Detection will be disabled if paper detection is successful in this mode.

#### **5-7-1 Procedure to run calibration**

- Press the Feed button at 5th LED sequence as shown in section 5-2-2 (LED 1 is Orange and LED 2 is blinking Orange four times) to start Black Mark Sensor Automatic Calibration Mode.

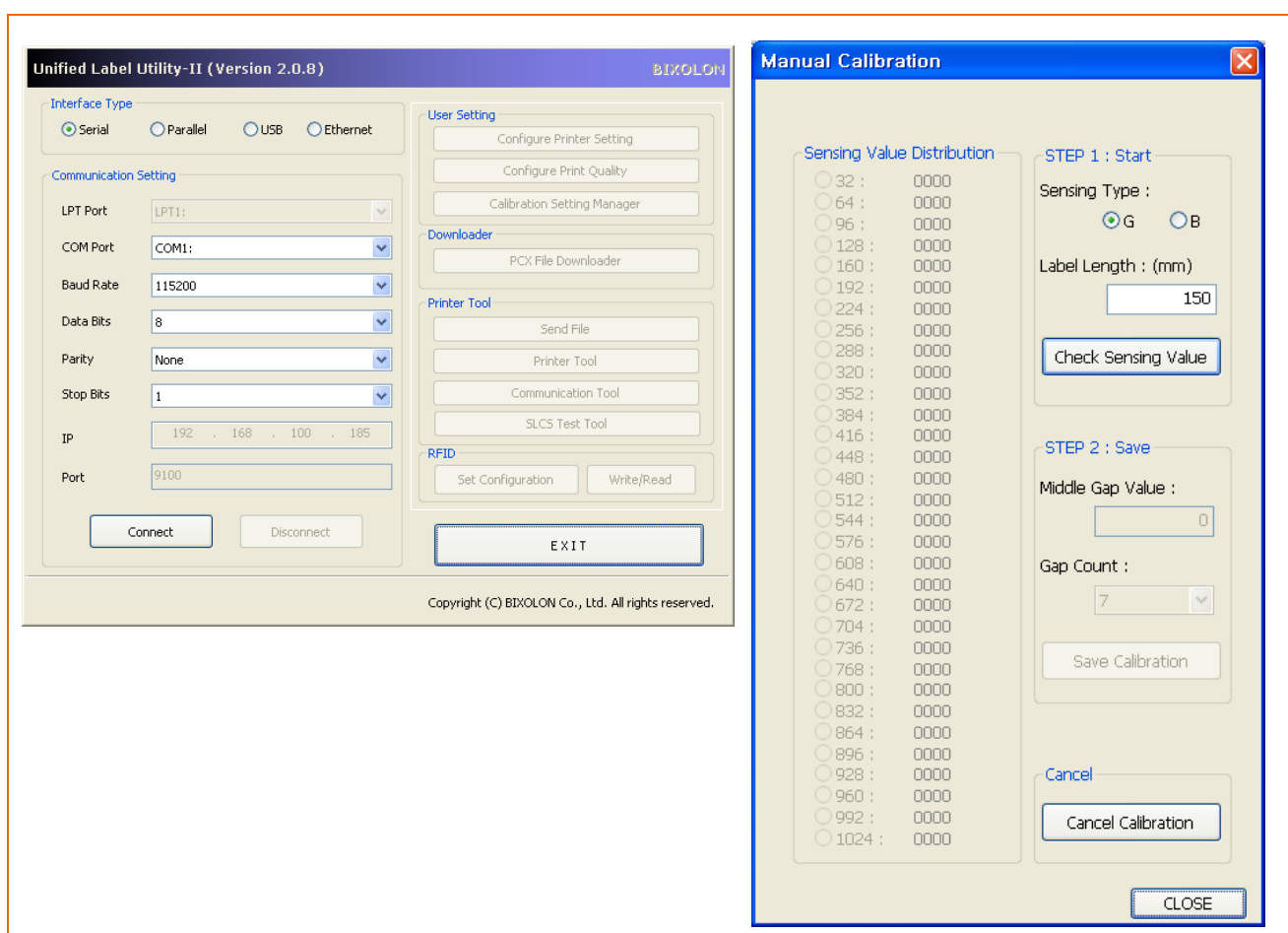
## 5-8 Manual Calibration Mode

Manual-calibration of media detection can be used when the printer cannot detect a media gap (or black mark) even after auto-calibration has been executed.

Users can calibrate sensor parameters in detail by using the utility program provided by the manufacturer.

The installation files and manuals are provided on the BIXOLON official website.  
(<http://www.bixolon.com>)

Please make sure the printer is connected and execute the utility program.  
Please the Calibration Setting Manager Button after setting the interface type.



- 1) Select the sensing type and input the label length by millimeter and click on "Check Sensing Value" button. Then printer starts to calibrate.
- 2) Printer will print the scanned values after calibration and the values will appear on the Screen.
- 3) Optimal sensing values will appear in bold letters on the left of the utility screen. Select one of the optimal sensing value by clicking on it's option button and then click on "Save Calibration."
- 4) If chosen value does not work properly, please try the other values among the bold letters.
- 5) To go back to the initial value, please click on "Cancel Calibration"

## **5-9 Cover Closing Mode**

### 5-9-1 About Cover Closing Mode

- The printed area may become out of range of paper if the paper is not in the accurate printing position when the cover is opened and closed.
- The printer is put to Cover Closing Mode instead of Print Standby Mode when the cover is closed in order to prevent this problem, and it waits for user input.
- The status of LEDs are as follows in this mode.
  - LED 1: Green Blink
  - LED 2: Green Blink
- The data received during Cover Close Mode is not printed until the printer recovers to Print Standby Mode.

### 5-9-2 How to switch the printer from Cover Close Mode to Print Standby Mode

- Press the Pause button to switch to Print Standby Mode without feeding any paper.
- Press the Feed button to feed one page to align the paper position and switch to the Print Standby Mode.

## **5-10 Data Dump Mode**

This function can be used to diagnose the communication issues when the printing does not work correctly.

In this mode, the received data are not analyzed and printed, instead they are dumped in hex format without processing.

Turn the printer off and on to recover to the Print Standby Mode.

### 5-10-1 How to start Data Dump Mode

- 1) Press the Pause button for two seconds during Print Standby Mode.
- 2) Both LEDs will change to orange color and the printer will be set to Stand-alone Configuration Mode.
- 3) Press the Feed button at the sixth LED sequence in 5-2-2 (LED 1 Orange / LED 2 Red – 4 times Blink) to enable Data Dump Mode.

## **5-11 Factory Reset**

- This function is used to reset the printer settings to factory default settings.

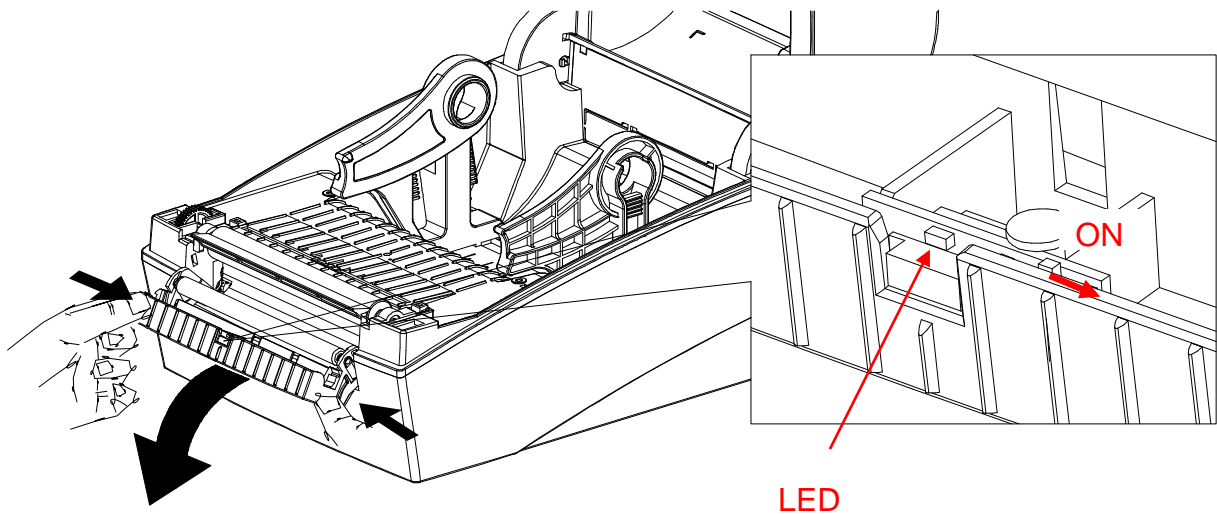
### 5-11-1 How to reset the printer

- 1) Press the Pause button for two seconds during Print Standby Mode.
- 2) Both LEDs will change to orange color and the printer will be set to Stand-alone Configuration Mode.
- 3) Press the Feed button at the 3rd LED sequence as shown in section 5-2-2 (LED 1 Green/LED 2 Red-4 times Blink) to reset the printer to factory settings, and Smart Media Detection function will be executed.

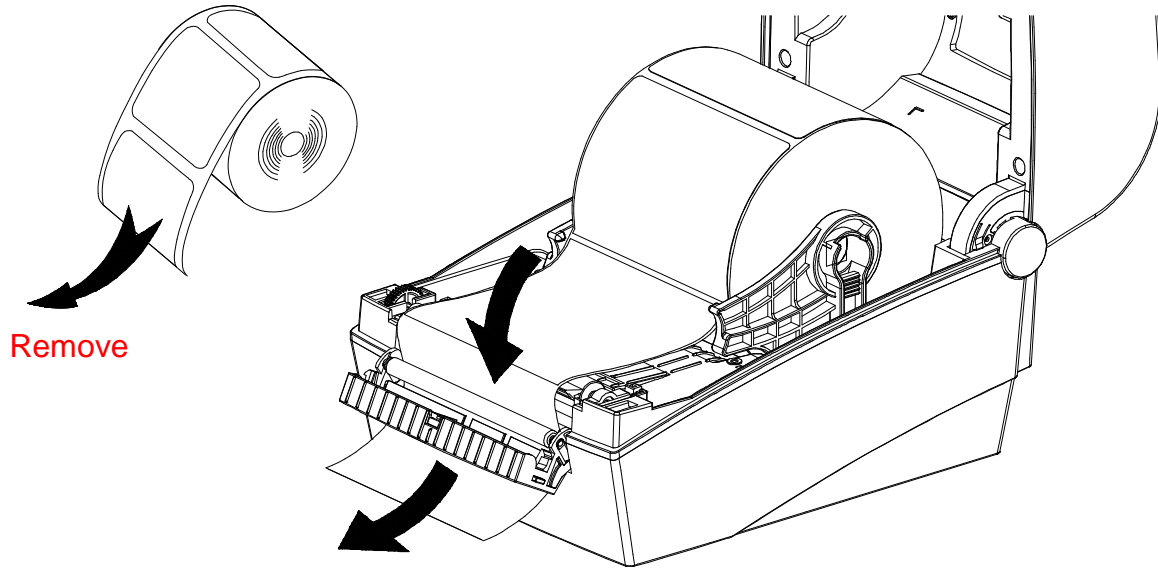
## **5-12 The Peel-Off (Option)**

- As a function that is used to peel-off labels, it is used only with label paper.

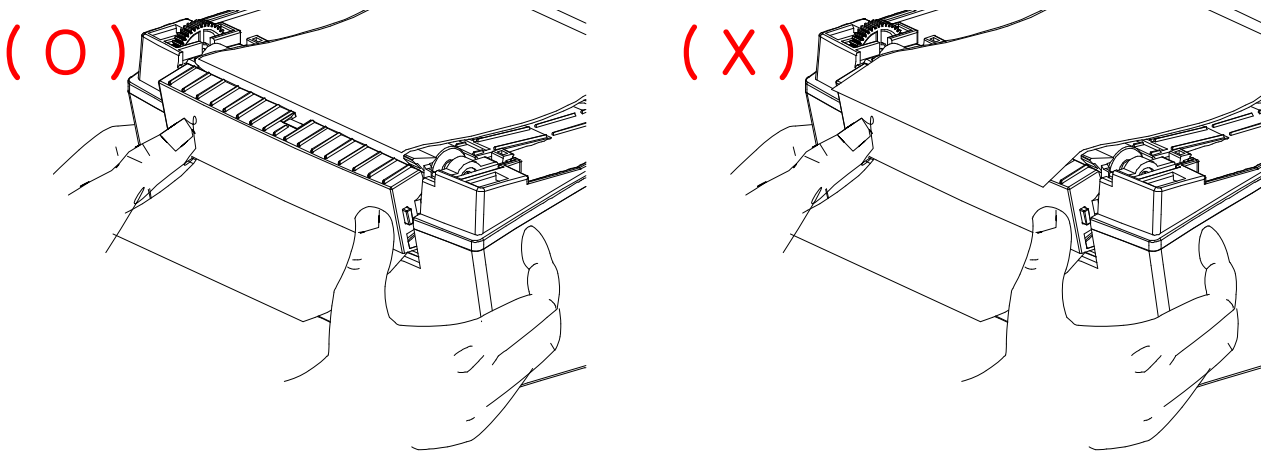
- 1) Open the paper cover.
- 2) Open the label peel-off cover and set the peeler switch to the ON position.
  - Check to see that the LED has turned on.



3) Remove one sheet of the label paper, and insert the paper as shown in the image below.



4) Close the label peel-off cover.



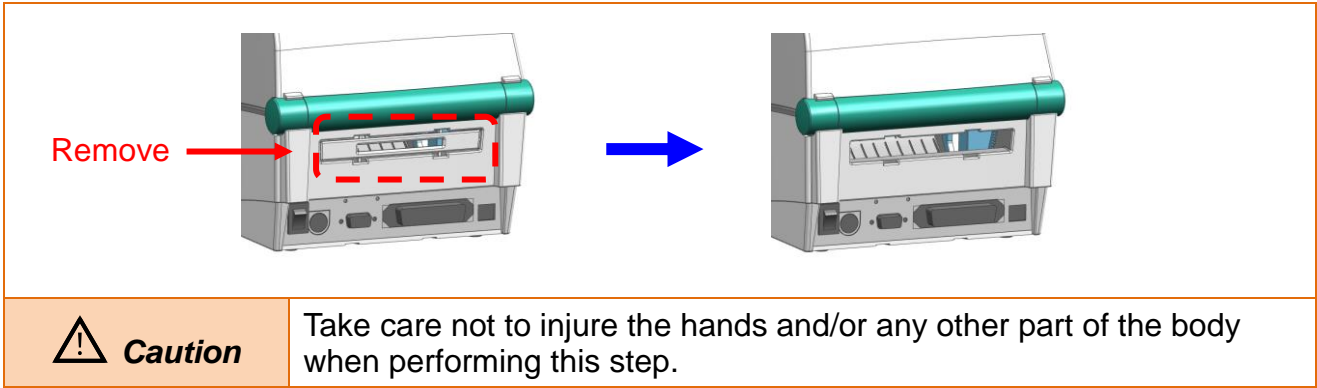
5) Close the Paper Cover until a click sound is heard.

**5-13 Using Fan-Fold Paper**

- Supplying paper to the printer externally is done as follows.

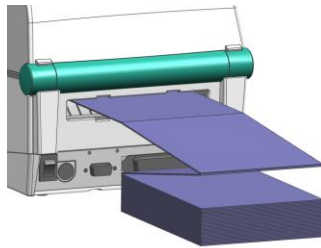
**5-13-1 Printer Preparation**

Remove the rear paper supply cover on the back side of the printer with a knife or other cutting instrument.

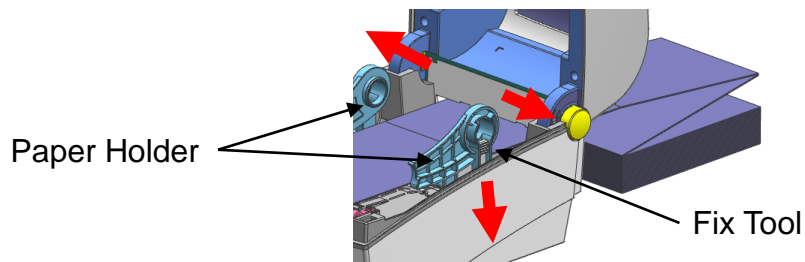


**5-13-2 When using Fan-Fold paper**

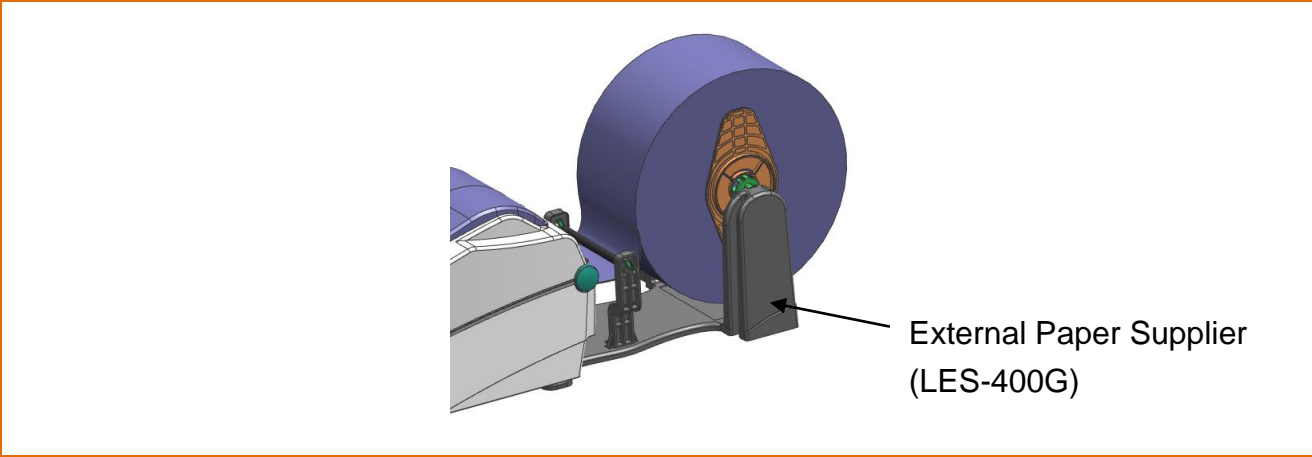
- 1) Insert the paper at the rear of the printer using the slot and guides.



- 2) Adjust Paper Holders to the paper width by using the Fix Tool.



5-13-3 When using Large-Capacity paper roll (Option)



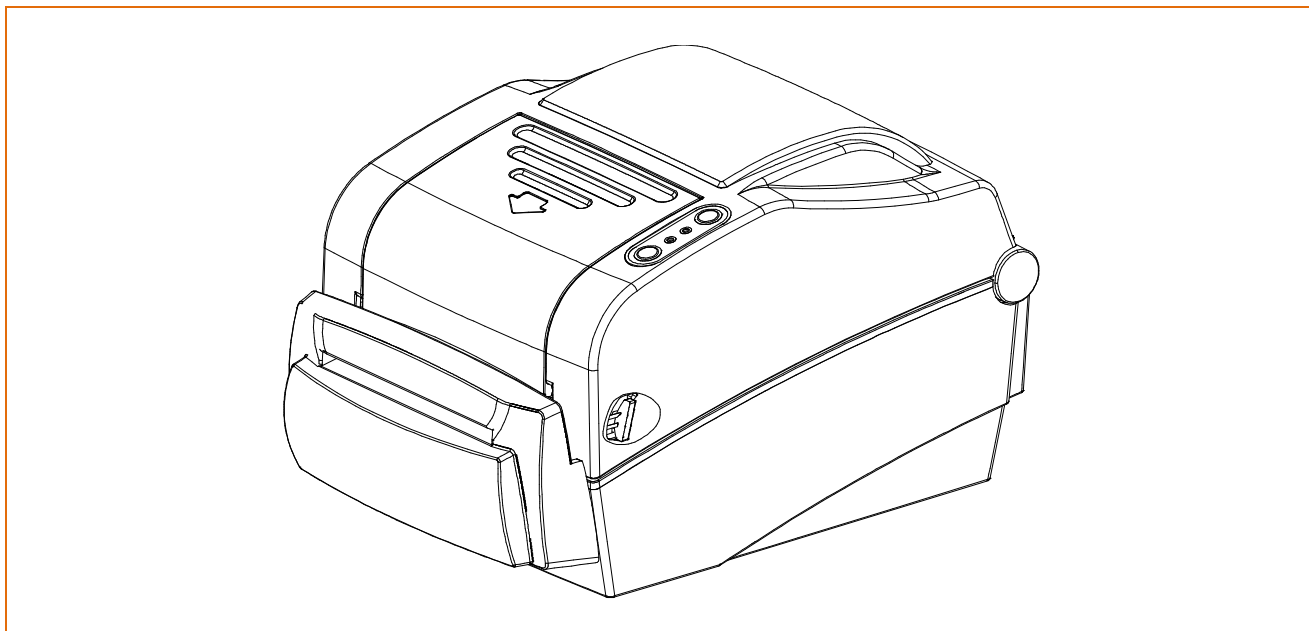


### 5-14 Auto Cutter (Option)

- For auto paper cutting, products equipped with auto cutter are available.

Auto-Cutter can be controlled by command. And default setting can be changed by Unified Label Utility-II.

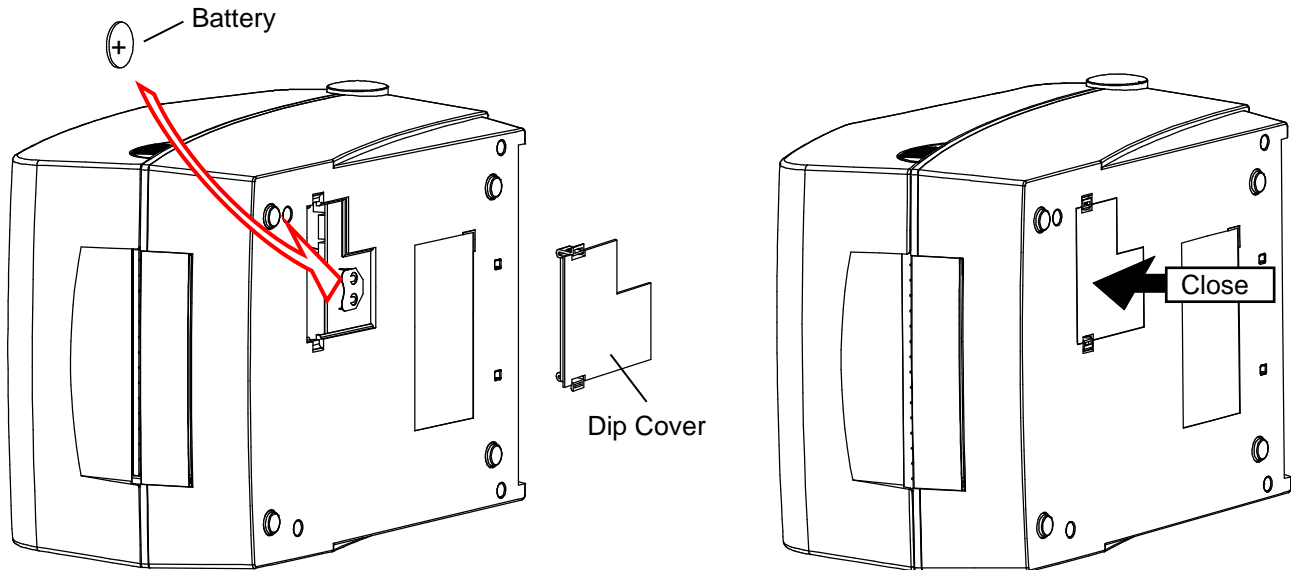
- ※ The paper installation method is the same as paper with no auto cutter.



## 5-15 Real-Time Clock (Option)

- The function of the Real-Time Clock option is to print the time and date onto the label. The date and time can be set in the printer by using the Unified Label Utility-II.

You can discern a low or depleted battery if printer provides a consistently incorrect time and date. In this case, you need to replace the battery. When battery is changed, the time and the date will need to be reset.



### **Caution**

- For your safety, The Dip Cover on the bottom of the printer should always be closed. When changing the battery, please open the cover with your thumb and index finger. Then close the cover after changing the battery.
- Wrap the battery when recycling or storing to avoid short circuit.
- Do not short circuit the battery. It may result in heat generation or fire.
- Do not disassemble or heat the battery.
- Risk of explosion If battery is replaced by an incorrect type.
- Dispose of used batteries according to the instructions.

## 6. Cleaning Head

Printing quality might be degraded by dust, foreign substance, adhesive substance, or other pollution materials stuck in the printer head or inside the printer.

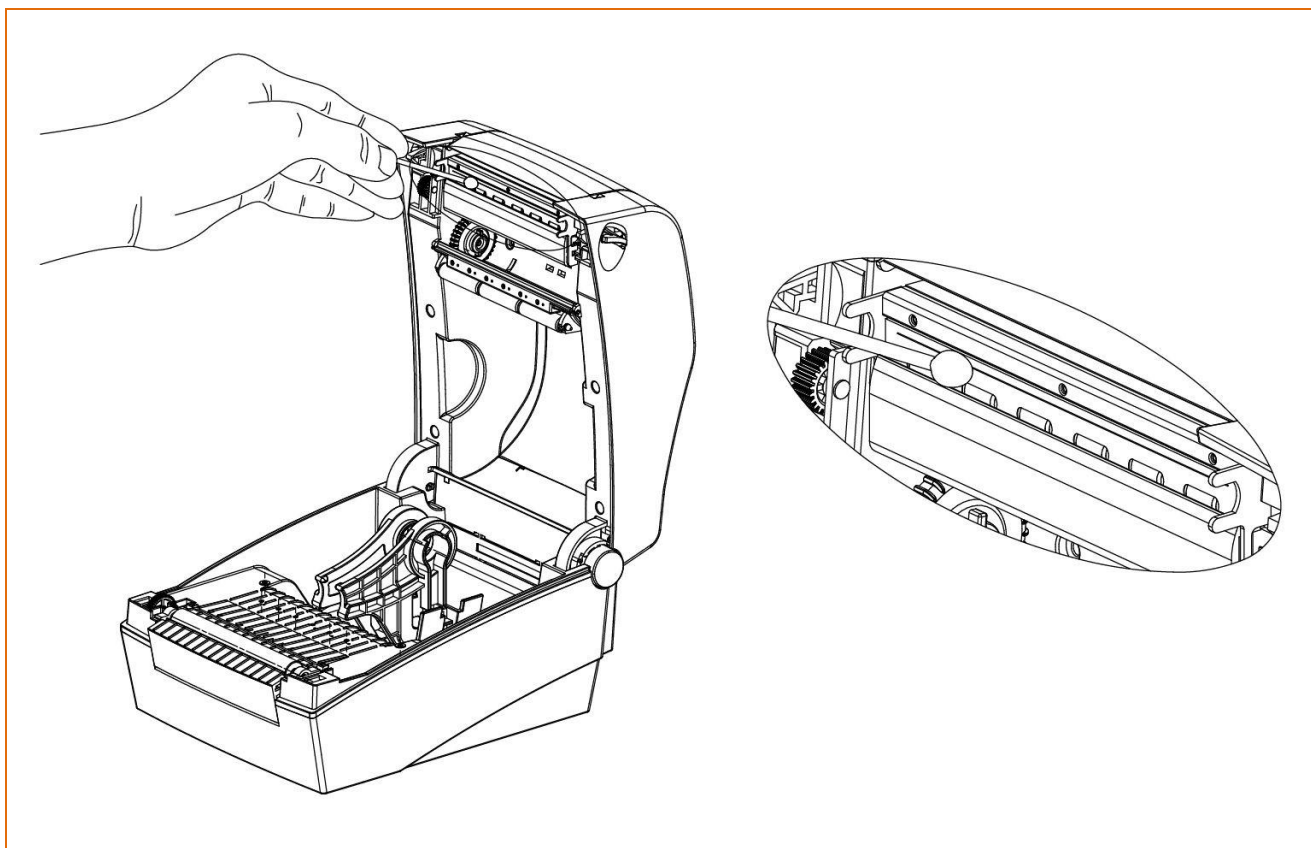
When dirty, clean the print head as follows:



- Make sure to turn the printer power off prior to cleaning.
- As the print head gets very hot during printing, if intending to clean the print head, turn the printer power off and wait approximately 2~3 minute before commencement.
- When cleaning the print head, take care not to touch the heated portion of the print head.
  - Printer Head is susceptible to damage from static electricity, etc.
- Take care not to allow the print head to become scratched and/or damaged in any way.

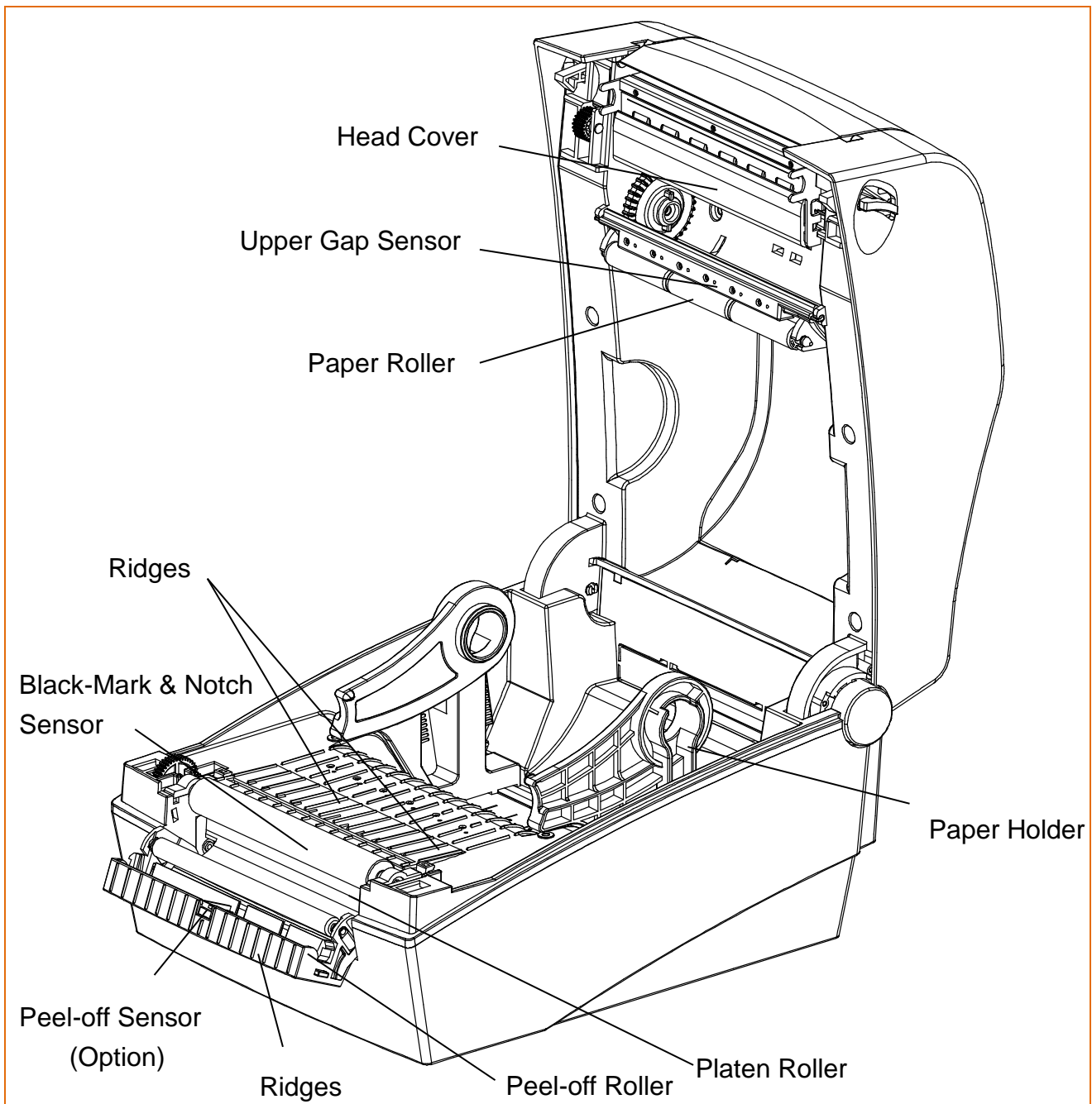
## 6-1 Cleaning Head

- 1) Open the paper cover and clean the printhead using the cloth or cotton swab soaked in alcohol for medical.
  - 2) After cleaning the head, do not use the printer until the alcohol used for cleaning evaporates completely (1~2 min) and the printer has completely dried.
- ※ Perform the cleaning process each time the paper roll is replaced to prevent print quality deterioration.




## 6-2 Cleaning Sensors, Roller or/and Paper Path

- 1) Open the paper cover and ribbon assembly, and remove the paper and ribbon.
  - 2) Remove any dust or foreign substance using dry cloth or cotton swab.
  - 3) Soak the cloth or cotton swab in alcohol for medical use and use it to remove adhesive foreign substances or other pollution materials.
  - 4) After cleaning the parts, do not use the printer until the alcohol evaporates completely (1~2 min) and the printer has completely dried
- ※ Clean the parts when there is a degradation of performance in printing quality or paper detection.



## 7. Appendix

### 7-1 Specifications

Item		Description
Printer	Printing Method	Thermal Transfer / Direct Thermal Printing
	Dot Density	SLP-TX420 : 203 dpi (8 dot/mm) SLP-TX423 : 300 dpi (11.8 dot/mm)
	Printing Width	SLP-TX420 : Max 108 mm (Max. 4.25") SLP-TX423 : Max 105.7 mm (Max. 4.16")
	Printing Speed	SLP-TX420: Max. 178 mm/sec (Max. 7ips) SLP-TX423: Max. 127 mm/sec (Max. 5ips)
Paper	Width	20 ~ 110 mm (0.79 ~ 4.33")
	Roll	Max 130mm (Max. 5.12")
	Core	25.4 ~ 38.1mm (1 ~ 1.5")
Ribbon	Length / Width	Max 74m / 110mm (4.3")
	Type(Outside)	Wax, Wax/Resin, Resin
	Core	0.5"
AC Adapter	Input Voltage	AC 100~240V
	Frequency	50/60 Hz
	Output Voltage	DC 24V $\pm$ 5% / 2.5A  : symbol means directly current(d.c.)
Usage Conditions	Temperature	5 ~ 40 °C (Operating) -20 ~ 60 °C (Storage)
	Humidity (except for paper)	10 ~ 80 % RH (Operating) 10 ~ 90 % RH (Storage)



**Note**

- Printing speed can vary depending on the data transmission speed and combination of control commands.
- This equipment is for indoor use and all the communication wirings are limited to inside of the building.
- The switch is the disconnecting device. Turn off switch from any hazard.

### 7-2 Label Types

The label types used with this printer are as follows.

- Control Labels: PP
- Other Labels: PET

## Copyright

© BIXOLON Co., Ltd. All rights reserved.

This user manual and all property of the product are protected under copyright law. It is strictly prohibited to copy, store, and transmit the whole or any part of the manual and any property of the product without the prior written approval of BIXOLON Co., Ltd. The information contained herein is designed only for use with this BIXOLON product. BIXOLON is not responsible for any direct or indirect damages, arising from or related to use of this information.

- The BIXOLON logo is the registered trademark of BIXOLON Co., Ltd.
- All other brand or product names are trademarks of their respective companies or organizations.

BIXOLON Co., Ltd. maintains ongoing efforts to enhance and upgrade the functions and quality of all our products. In the following, product specifications and/or user manual content may be changed without prior notice.

## Caution

Some semiconductor devices are easily damaged by static electricity. You should turn the printer "OFF", before you connect or remove the cables on the rear side, in order to guard the printer against the static electricity. If the printer is damaged by the static electricity, you should turn the printer "OFF".

## Compliance information

This device complies with Part 15 of the FCC Rules. Operation is subject to the following two conditions: (1) This device may not cause harmful interference, and (2) This device must accept any interference received, including interference that may cause undesired operation.

This equipment has been tested and found to comply with the limits for a Class A digital device pursuant to Part 15 of the FCC Rules. These limits are designed to provide reasonable protection against harmful interference when the equipment is operated in a commercial environment. This equipment generates uses, and can radiate radio frequency energy and, if not installed and used in accordance with the instruction manual, may cause harmful interference to radio communications. Operation of this equipment in a residential area is likely to cause harmful interference in which case the user will be required to correct the interference at his own expense.

Caution: Exposure to Radio Frequency Radiation.

To comply with FCC RF exposure compliance requirements, a separation distance of at least 20 cm must be maintained between the antenna of this device and all persons.

Caution: Any Changes or modifications not expressly approved by the manufacturer could void the user's authority to operate the equipment.

Class A Digital Device : Wired Device

This Apparatus complies with class "A" limits for radio interference as specified in the Canadian department of communications radio interference regulations.

This Class A digital apparatus complies with Canadian ICES-003.

Appareil numérique de classe A: appareil filaire

Get appareil est conforme aux normes class "A" d'interference radio tel que specifier par ministre canadien des communications dans les reglements d'interference radio.

Cet appareil numérique de la classe A est conform à la norme NMB-003 du Canada.

## Waste Electrical and Electric Equipment (WEEE)



This marking shown on the product or its literature, indicates that it should not be disposed with other household wastes at the end of its working life. To prevent possible harm to the environment or human health from uncontrolled waste disposal, please separate this from other types of wastes and recycle it responsibly to promote the sustainable reuse of material resources. Household users should contact either the retailer where they purchased this product, or their local government office, for details of where and how they can take this item for environmentally safe recycling. Business users should contact their supplier and check the terms and conditions of the purchase contract. This product should not be mixed with other commercial wastes for disposal.