

Omni-ID® Flex 800

Omni-ID Flex 800 is a long read range, Global frequency, RFID tag designed with exceptional performance. The Flex 800 tag is well suited to indoor applications where a low cost option is needed anywhere around the world.



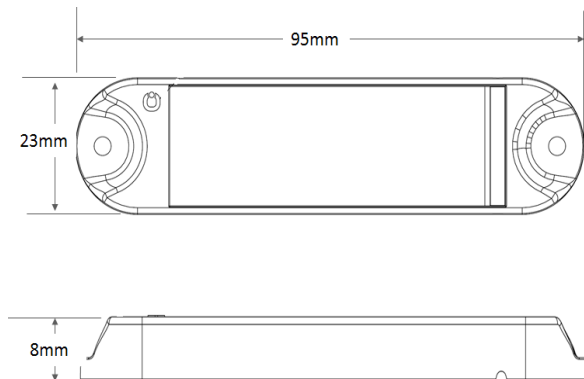
Applications

With its longer read range and consistent Global RF performance, the Flex 800 is ideally suited to applications such as:

- ▶ Manufacturing tote tracking
- ▶ Light outdoor use & RTI
- ▶ Retail supply chain

Physical Specifications

Material	ABS with white synthetic label
Size (mm)	95 x 23 x 8.0
Size (in)	3.74 x .91 x .31
Weight (g)	13



Dimensions stated in mm

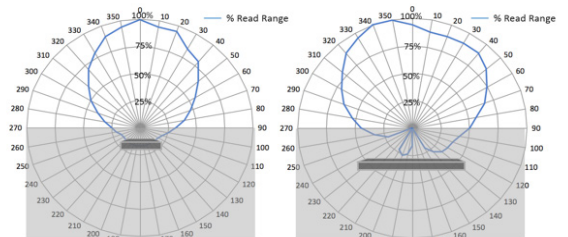
RF Specifications

Protocol	EPC Class 1 Gen2V2
Frequency Range (MHz)	860 - 940 (GS)
Read Range (Fixed reader) ¹	
On metal	Up to 8.0m
Off metal	Up to 6.0m
Read Range (Handheld reader) ¹	
On metal	Up to 4.0m
Off metal	Up to 3.0m
Material Compatibility	Optimized for Metal
IC Type (chip)	Impinj Monza 4QT
Memory ²	EPC - 128bits User - 512bits UTID - 48bits

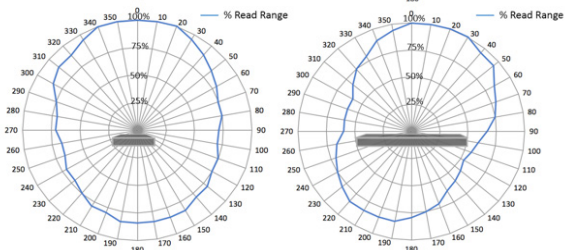
1. Quoted performance achieved using standard testing methodology. Read range will vary with reader hardware and output power.
2. EPC and User memory are reprogrammable, UTID is locked at point of manufacture.

Radiation Patterns

On Metal



Off Metal



Related Products and Services

- ▶ **Omni-ID Flex 400** - Small form factor, global RFID tag ideal for IT asset management applications.
- ▶ **Omni-ID Flex 600**- Flexible, cost effective tag, ideal for office equipment and portal setups.
- ▶ **Omni-ID Flex 1200** - Flexible, cost effective tag, designed specifically for applications needing read ranges of up to 12 meters.
- ▶ **Service Bureau** - Omni-ID offers a full service bureau for printing and pre-encoding Omni-ID tags at point of manufacture.



Environmental Specifications

Storage Temperature -40 ° to +85 °C

Operation Temperature -40 ° to +85 °C

Survivability -40 ° to +85 °C

IP Rating IP65

Shock and Vibration MIL STD 810-G

Attachment Mechanical (standard)
Premium foam (option)

Certifications



 RoHS approved
 CE approved
 ATEX/IECEX certified (option)
 US&Canada (C1D1/D2) certified (option)

Warranty 1 year

1. Excludes adhesive options, consult adhesive data sheets for recommended temperature ratings.

Ordering Information

Order code 150 - GS

Order options :303 (Customization)
:304 (ATEX/IECEX certified)
:307 (US&Canada (C1D1/D2) certified)
:701 (Standard Service Bureau)

Omni-ID office locations: **US | UK | China | India | Germany**
For product or technology inquiries email: sales@omni-id.com