

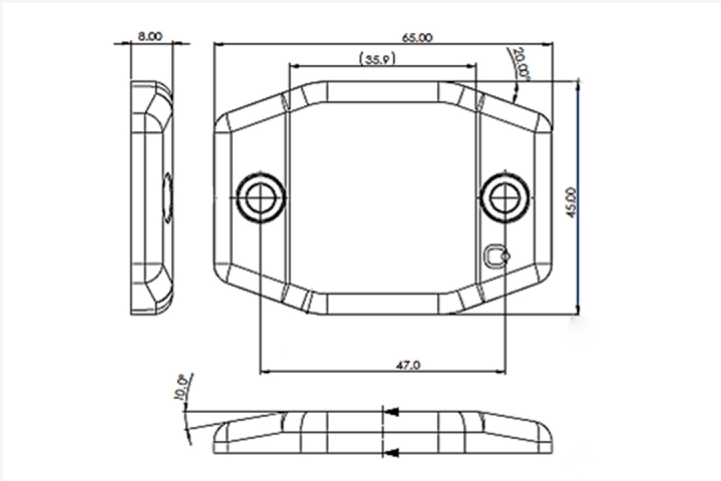
## [ Products ] you can identify with



### Physical Specifications

<b>Material</b>	ABS
<b>Size</b>	65 x 45 x 8 +/- 0.5 mm, 2.56 x 1.77 x 0.31 +/- 0.02 in
<b>Weight (g)</b>	34
<b>Attachment</b>	Rivet / Screw (not included), foam adhesive (option) or thin film adhesive (option)

### Dimensions



Measurements shown in mm

## Adept 850

Omni-ID's Adept 850 durable High Memory RFID tag is specifically designed to store production data throughout global manufacturing operations. With 64Kbits user memory, a slim profile, tapered corners and secure connections, this tag is ideal for mounting on cycling metal carriers to give years of durable service.

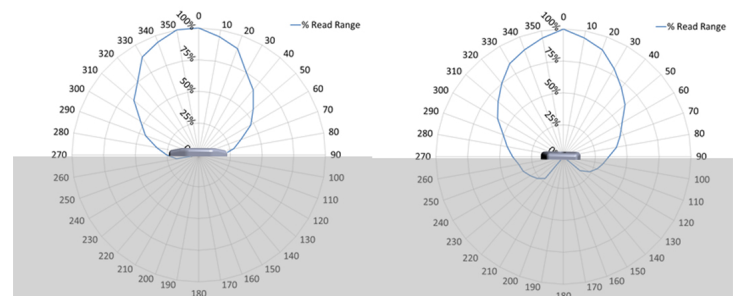


### RF Specifications

<b>Radio Protocol</b>	EPC Class 1 Gen2v2
<b>Frequency Range</b>	860 – 960 MHz (Global)
<b>Read Range</b>	Up to 8.5m (27.89 feet)
<b>Write Range</b>	Up to 4m
<b>On Metal or Balanced</b>	Optimized for metal
<b>IC Type (Chip)</b>	Qstar-2A
<b>Memory</b>	EPC - 240 bits User - 64K bits

EPC and User memory are reprogrammable. UTID is locked at point of manufacture by IC manufacturer.

### Radiation Patterns



## [ Products ] you can identify with



Omni-ID's Adept 850 High Memory Tag is an ideal solution for applications where storing process data is important such as:

- \* Manufacturing & Supply Chain
- \* Automotive
- \* Outdoor & Industrial Operations

### Certifications

CE, RoHS, ATEX/IECEX certified (option), US&Canada (C1D1/D2) certified (option)



### Environmental Specifications

<b>Operating Temperature</b>	-20°C to +85°C
<b>Survivability</b>	-20°C to +85°C
<b>IP Rating</b>	IP68
<b>Shock &amp; Vibration Tolerance</b>	MIL-STD-810 G

### Ordering Information

<b>Product Options</b>	:303 (Customization) :304 (ATEX/IECEX certified) :307 (US & Canada (C1D1 certified)) :701 (Standard Service Bureau)
<b>Part Number / Order Codes / Order Numbers</b>	114 - GS

For product or technology inquiries email: [sales@omni-id.com](mailto:sales@omni-id.com).  
Visit [omni-id.com](http://omni-id.com) to learn more about the complete line of **Omni-ID RFID** products