

# UPOS-211 Series

**15" Ubiquitous POS Terminal**  
**UPOS-211D with Intel® BayTrail J1900**  
**UPOS-211F with Intel® Skylake Core i3 / i5 / Celeron**



DeviceOn/iService

## Features

- Equipped with DeviceOn / iService software for remote device management
- 15" TFT LCD (LED backlight) with 5 wire Resistive or PCAP Touch
- Built in Intel Baytrail J1900 or Skylake-U
- Stylish design with dual hinge, thinner boarder, slim screen
- Clear Cable Management
- Low power & fanless operation without heat ventilation holes
- Easy access to key components
- Easy peripheral mount design integrated
- Device Options: 2nd Display, MSR, VFD, RFID, Barcode Scanner
- Fully support WISE-PaaS/DeviceON



## Introduction

UPOS-211 is an All-in-One POS System with 15" true-flat PCAP touch or 5 wire Resistive touch. It is with Intel Baytrail or Skylake-U processor, fanless design with quiet operation and energy saving. It features dual hinge design which provides the smallest footprint to save counter space and reduce shipment freight. It provides easy access to key components. UPOS-211 supports both Windows and Android OS, and the front panel is with IP65 design, supports water and dust resistance, specific designed for Mini market store, Food merchandise, Convenience store, Specialty store. UPOS-211 is with the most competitive cost, and energy effective platform built for retail and hospitality.

Moreover, UPOS-211 is equipped with Advantech's DeviceOn/iService software, which is a next-generation unified device management solution based on the WISE-DeviceOn platform. With support for batch operations and multi-device control, DeviceOn/iService enables easy device configuration and deployment for convenient remote device management.

## Features Highlight



Foldable design with dual hinge



Tilt motion, 0~90 ° Freestyle rotation

- 1xUSB port on backside w/ rubber cover
- Screwed bracket design for USB port to ensure data security (Optional)



Easy Access to USB Port



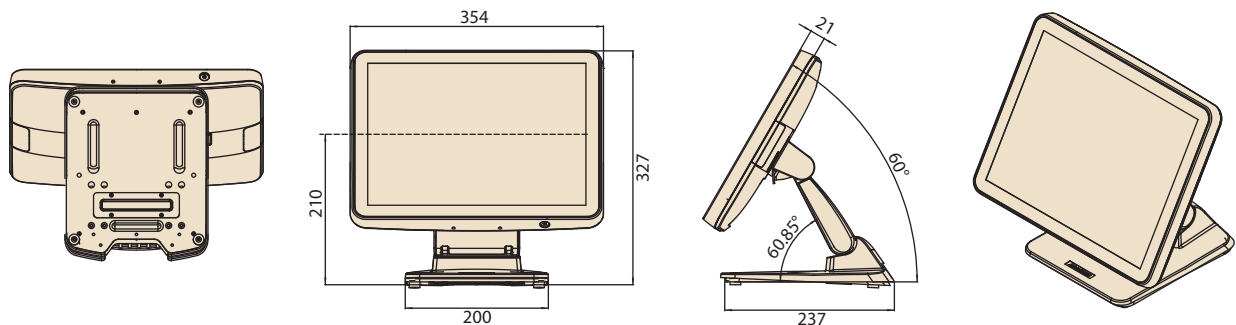
Wall Mount, via VESA mount kit

## Specifications

| Model                                     | UPOS-211DPX  | UPOS-211D  | UPOS-211F  |
|---|--|--|--|
| Processor                                 | Intel Bay Trail Quad Core J1900, 2GHz up to 2.42GHz  |  | Skylake-U, i5-6300U/CORE i3-6100U/Celeron 3955U  |
| Memory                                    | Technology   | DDR3L-1333   | DDR4-2133  |
|   | Max. Capacity  | 8G   | 16G  |
|   | Socket   | 1 x 204 pin SO-DIMM  | 1 x 260 pin SO-DIMM  |
| Storage                                   | 1 x 2.5" SATA HDD/SSD connector, SATA2 (3.0Gb/S);<br>1 x M.2 SSD   | 1 x 2.5" SATA HDD/SSD connector, SATA2 (3.0Gb/S)   | 1 x 2.5" SATA HDD/SSD connector, SATA3 (6.0Gb/S)   |
| Panel                                     | 15" TFT LCD Display (1024 x 768), 300 cd/m <sup>2</sup>  |  |  |
| Touch Screen                              | 15", Projected Capacitive Touch Panel (PCAP. Flat Glass)   | 15", Analog Resistive 5-wires (Res. Flat Glass) / Projected Capacitive Touch Panel (PCAP. Flat Glass)<br>Light Transmission: Res. Touch 80% ±5% / Pcap Touch 85% ±3%   |  |
| Bus Expansion                             | 1 x M.2 2230 E-KEY for Wifi&BT<br>1 x M.2 2242 B-KEY for SATA  | 1 x Mini PCIe (for Wifi or 3G), shared with mini SATA connector  |  |
| Audio                                     | 1 x 2W speaker installed. 1 x Line out   |  | 1 x 2W speaker installed. 1 x Line out (optional)  |
| Power Supply                              | 60W power adapter  |  |  |
| Serial Port                               | External: 3 x COM RS232 ports on I/O board, COM1 support 5V & 12V by order, COM2/COM3 no power<br>Internal: 1 x COM port, COM4 for VFD   | External: 2 x COM RS232 ports on I/O board via RJ-48 connector, COM1 / COM2 support 5V & 12V by order<br>Internal: 4 x COM port, COM3 for 5W Res. touch, COM4, COM5 support 5V & 12V by order, COM6 no power |  |
| USB Port                                  | External: 4 x USB2.0; 1 x USB3.0; 1 x Type C<br>Internal: 1 x USB2.0 (for PCAP touch)  | External: 2 x USB2.0; 1 x USB3.0; 5 x USB 2.0 ports (optional)<br>Internal: 3 x USB2.0 (1x USB for PCAP touch)   | External: 2 x USB3.0, 1 x USB2.0; 5 x USB2.0 (Optional)<br>Internal: 3 x USB2.0 (1 x USB for PCAP touch) |
| Ethernet                                  | LAN controller: Realtek RTL8111G-CG, 1x RJ-45 Gigabit Ethernet   |  | LAN controller: Intel WGI219LM, 1x RJ-45 Gigabit Ethernet  |
| Display Output                            | External: 1 x VGA<br>Internal: 1 x VGA (for 10" 2nd Display)   | 1 x VGA, 1 x DP  |  |
| Cash Drawer                               | 1 x RJ11, cash drawer, 24V default, 12V by order   |  |  |
| PS2                                       | 1 x PS2 (for MSR only)   |  |  |
| Parallel Port                             | -  | 1 x LPT (optional)   |  |
| DC-In                                     | 12V  |  |  |
| DC-Output                                 | 12V  |  |  |
| IP65                                      | IP65 front panel protection  |  |  |
| Dimension (W x H x D)                     | 354 x 327 x 237 mm, Stand: 237 x 200 mm  |  |  |
| Weight                                    | 5.2KG (Net weight) / 6.9KG (Gross weight)  |  |  |
| Operating Temp.                           | 0 ~ 40° C  |  |  |
| Relative Humidity                         | 10 ~ 90% @ 40° C   |  |  |
| Shock                                     | 10G peak acceleration (11ms duration)  |  |  |
| Vibration                                 | 5~500Hz 0.5Grms, random  |  |  |
| EMC / Safety                              | CE, CCC, UL, FCC, CB/LVD, VCCI, BSMI   |  |  |
| OS Support                                | POSReady 7, Windows 7 Pro, Windows 8.1 Pro (64-bit), Windows 10 IoT Enterprise, Linux Kernel 3.13 or above Android 4.4<br>(UPOS-211D series supports Android; UPOS-211F series does not support Android) |  |  |
| DeviceOn/Service Remote Device Management | Operating System   | Windows 10   |  |
|   | Common Controls (Reboot, Shutdown)   | ✓  |  |
|   | Remote desktop   | ✓(VNC)   |  |
|   | Audio controls   | ✓  |  |
|   | Connection Status  | ✓  |  |
|   | Hardware Status  | ✓  |  |
|   | Hard Disk Status   | ✓  |  |
|   | Batch Operation Support  | ✓  |  |
|   | OTA Storage Management   | FTP  |  |
|   | OTA Software Updates   | ✓  |  |
|   | Software Watchlist   | ✓  |  |
|   | Software Start/Stop  | ✓  |  |
|   | Peripherals Watchlist  | ✓  |  |

## Dimensions

Unit: mm



## Ordering Information

| Part No.          | Description   |
|-------------------|---|
| UPOS-211DPX-BST40 | 15", PCAP, J1900, 4G, 4C,5U, Blk, Generation 2        |
| UPOS-211DP-BST40  | 15", PCAP, J1900, 4G RAM, 4COM, 5USB, W/Cable, Blk    |
| UPOS-211DP-WST21  | 15", PCAP, J1900, 4G, 64G SSD, 4COM, 5USB, white      |
| UPOS-211DP-BST00  | 15", PCAP, J1900, 4G, 64G SSD, 4COM, 5USB, no stand   |
| UPOS-211FP-BST40  | 15", PCAP, i3-6100U, 4G RAM, 4COM, 5USB, W/Cable, Blk |
| UPOS-211FP-BI520  | 15", PCAP, i5-6300U, 4G, 64G SSD, 4COM, 5USB, Blk     |

## POS Accessory

| Part No.           | Description                                      |
|--------------------|--|
| 96CB-POWER-B-1.8MA | Power Cord (China), 3P 1.8M, BK(CCC)             |
| 17AP164900518011   | Power Cord CEE 7/16+C13 L1.8M (CE)               |
| 1700013977         | Power Cord 10A 250V 3P 180/90 CCC 200cm (CCC)    |
| 1702002600         | Power Cord 3P UL/CSA(USA) 125V 10A 1.83M 180D    |
| 1700020098         | Power Cord 3P 10A 250V 183CM (Australian)        |
| 1702002605         | Power Cord 2P FRANCE 10A/16A 220V 1.83M 90D (EU) |
| 1700001714         | Power Cord BSMI 3P 7A 125V 18AWG 180CM (BSMI)    |
| 1700000237         | Power Cord 3P PSE 12A 125V 1.83M (Japan)         |
| 1700018704         | Power Cord BSI 2P 10A 250V 180cm (UK)            |
| 1700025855-01      | Power Cord ISI 3P 10A 250V 183cm (INDIA)         |
| URP-PT800-B401     | 80mm Thermal Printer, USB+Serial+Ethernet,blk    |

## POS Peripherals

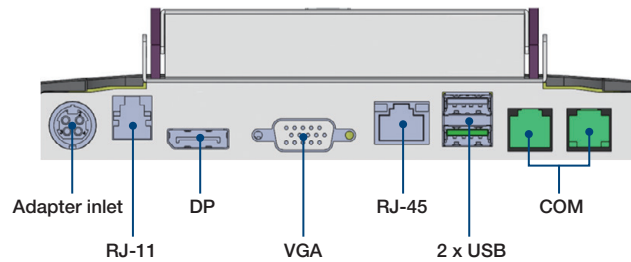
| Part No.        | Description   |
|-----------------|---|
| USC-P01-B110    | VFD, Rear mount, black                                    |
| UPOS-M10G-BST10 | 10.1" 2nd display, no touch, rear mount for UPOS-211, blk |
| USC-M3G-BST00   | 11.6" 2nd display, no touch,pole mount,blk                |
| USC-M3P-BST00   | 11.6" 2nd display, PACP touch,pole mount,blk              |
| UPOS-M15G-AST00 | 15" 4:3 monitor Glass HDMI VGA BK w/cables                |
| UPOS-M15P-AST02 | 15" 4:3 monitor P-touch BK w/USB VGA cable                |
| UPOS-P03-B110   | MSR, PS2 for UPOS-211, black                              |
| UPOS-P03-B113   | MSR+RFID for UPOS-211, black                              |
| UPOS-P03-B114   | MSR+Fingerprint for UPOS-211, black                       |
| UPOS-P03-B116   | RFID for UPOS-211, Left, black                            |
| UPOS-P03-B117   | Slim, MSR, PS2 for UPOS-211, black                        |
| UPOS-P03-B118   | Slim, MSR+iButton for UPOS-211, black                     |
| UPOS-P05-B110   | 2D Barcode scanner for UPOS-211, black                    |
| USC-P05-B110    | 2D Barcode scanner , black                                |
| IRS-WIFI-A2E    | UPOS-211,WIFI KIT,W157,1T1R,BT4.0,Antenna                 |
| 1960080774N001  | VESA BRACKET-1 FOR UPOS-211(Black)                        |
| 1960080774N002  | VESA BRACKET-1 FOR UPOS-211(WHITE)                        |
| 1960078502N000  | Wall MOUNT BRACKET FOR wall(should order together)        |
| 1960078503N000  | Wall MOUNT BRACKET FOR unit(should order together)        |
| UPOS-P07-B120   | UPOS-211 Pole stand for 2nd display                       |

## I/O Interface

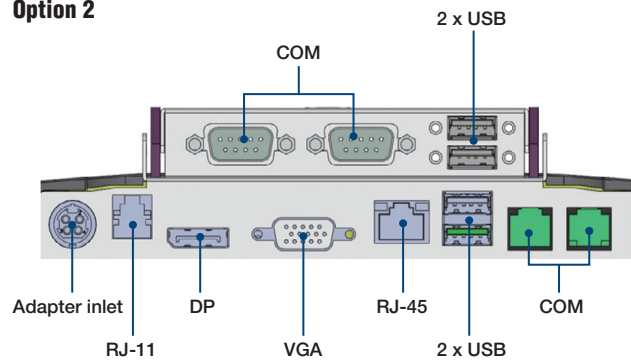


### UPOS-210D/UPOS-211F

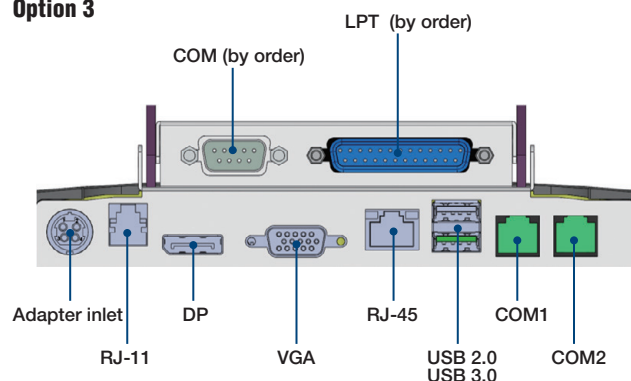
#### Option 1



#### Option 2



#### Option 3

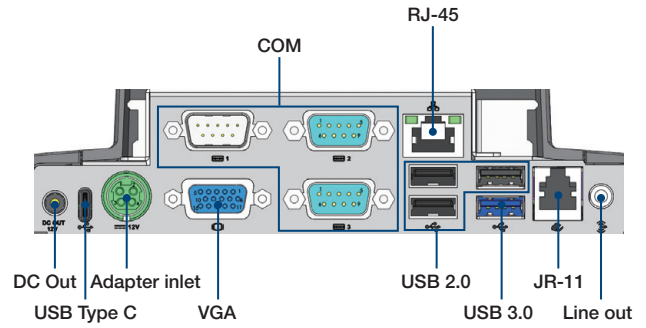


# UPOS-211 Series

## Operating system

| Part No.       | Description                                       |
|----------------|---|
| 2070015279     | Image WIN10 LTSB-6 UPOS-211D V1.00 7MUI x64       |
| 2070014960     | Image POSReady7 UPOS-211D V1.00 5MUI x64          |
| 20708WX6HS0002 | Image WIN10 LTSB-6-U UPOS-211F(I5) V1.00 7MUI x64 |
| 20708AIONS0001 | UPOS-211D V0.9.5 Android Image 444                |
| 2070015299     | UPOS-211D LUBuntu1604 x64 ENG OS V1.0.1           |
| 20708WE7PS0016 | Image WES7P UPOS-211D V1.01 5MUI 64Bit            |
| 20708WE7PS0017 | Image WES7P UPOS-211D V1.01 5MUI 32Bit            |
| 20708WE7PS0018 | Image WES7P UPOS-211F V1.00 7MUI x64              |
| 20708WP7SS0004 | Image WIN7PSP1 UPOS-211F V1.00 5MUI x64           |
| 20708WP81S0012 | Image Win8.1IndustryPro UPOS-211F V1.00 7MUI x64  |
| 20708WSR7S0001 | Image POSREADY7 UPOS-211F V1.00 5MUI x64          |

## UPOS-211DPX



# DeviceOn/iService

## Unified Remote Device Management Software



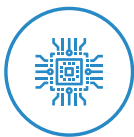
### Features

- Supports Advantech devices equipped with Windows, Android, and Linux OS
- Flexible device, location, user, and permissions management
- Enables remote monitoring and control of hardware, software, and peripherals
- Supports over-the-air (OTA) firmware and software updates
- Ensures quick, easy, and secure device onboarding
- RESTful APIs for third-party system integration

### Introduction

Advantech's DeviceOn/iService is a next-generation unified device management solution based on the WISE-DeviceOn platform. Designed to enable centralized monitoring and remote management, DeviceOn/iService supports Advantech devices equipped with Windows, Linux, or Android operating systems. The software also supports the management of applications and integrated peripherals, such as a barcode scanner, card reader, camera, and printer. Users can remotely access and control connected devices, take screenshots, rollout OTA upgrades, and use remote desktop capabilities for troubleshooting from any location at any time. Moreover, DeviceOn/iService supports batch operations to facilitate the management of multiple devices simultaneously for easy and convenient device configuration and deployment.

### Total Management



#### Devices & Hardware

- Windows, Linux, Android
- Hardware, storage, battery



#### Software & Peripherals

- Software monitoring & access
- Screens, USB devices, printers



#### Open for Expansion

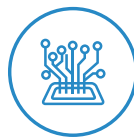
- Peripheral integration
- Open APIs for integration

### Remote Access



#### Real-Time Monitoring

- Connection/hardware status
- Software/peripheral status
- Failure notifications



#### Remote Controls

- Power controls
- Audio, backlight controls
- Software controls



#### Troubleshooting

- Screenshots
- Remote desktop support

### Operational Efficiency



#### OTA updates

- System/software updates
- File repository management
- App store



#### Batch Controls

- 1-to-many batch reboot, etc.
- Time-saving tasks



#### Setup Booster

- Software/peripheral watchlist
- Roles, rule templates

Note: Some functions may vary according to the product

### System Architecture

