

# **BIXOLON**

## **User's Manual**

# **XT3-40 Series**

---

## **Industrial Label Printer Ver. 1.01**



<http://www.bixolon.com>

# Table of Contents

<b>Copyright</b> .....	<b>4</b>
<b>WARNING &amp; CAUTION</b> .....	<b>8</b>
<b>Manual Introduction</b> .....	<b>10</b>
<b>Printer Introduction</b> .....	<b>11</b>
<b>1. Content Confirmation</b> .....	<b>12</b>
<b>2. Product Part Names</b> .....	<b>13</b>
2-1 Printer Part Names .....	13
2-2 Major Control Part Names.....	16
2-2-1 Control Panel .....	16
2-2-2 Detailed Descriptions.....	17
<b>3. Installation &amp; Usage</b> .....	<b>21</b>
3-1 Printer Installation Placings .....	21
3-2 Power Connection .....	22
3-3 Interface.....	23
3-3-1 Standard Interface .....	24
3-3-2 Option Interface .....	25
3-4 Media Installation .....	26
3-4-1 Media Installation Method of Standard Model.....	26
3-4-2 Media Installation Method of Auto Cutter (optional) Model.....	29
3-4-3 Media Installation Method of Peeler (Optional) Model .....	30
3-4-4 Media Installation(Remove) Method of Rewinder(optional-Liner Take-up only) Model.....	33
3-4-5 How To Install Media Externally .....	38
3-5 Ribbon Installation .....	39
3-5-1 Ribbon Type .....	39
3-5-2 Ribbon Installation Method .....	40
3-5-3 Load Adjustment by Ribbon Length.....	41
3-5-4 Ribbon Remove Method .....	42
3-6 Printer Head Load Control Method .....	43
3-7 Ribbon Guide Control Method .....	44
<b>4. Setting</b> .....	<b>46</b>
4-1 Menu Composition .....	46
4-2 Menu Select Method .....	49
4-3 Setting Confirm Method .....	51

4-4 Setting Menu Explanation .....	53
4-5 Interface Menu Explanation .....	57
4-5-1 Serial .....	57
4-5-2 Ethernet.....	58
4-5-3 WLAN .....	59
4-5-4 Bluetooth.....	61
4-6 Sensor Menu Explanation.....	62
4-7 Files Menu Explanation .....	63
4-7-1 Saved File.....	63
4-7-2 Twin Function.....	64
4-7-3 Firmware Update.....	69
4-8 Tools Menu Explanation.....	70
4-9 Info Menu Explanation.....	72
<b>5. Detailed Features .....</b>	<b>73</b>
5-1 Pause/Cancel.....	73
5-1-1 Pause/Resume Function.....	73
5-1-2 Print Cancellation .....	74
5-2 Smart Media Detection .....	74
5-3 Gap Sensor Auto Calibration Mode .....	75
5-4 Black Mark Sensor Auto Calibration Mode .....	75
5-5 Media Sensor Manual-Calibration .....	76
5-6 Sensor Sensitivity.....	78
5-7 Data Dump Mode .....	78
5-8 Factory Reset.....	79
5-9 SWC (Simple Wi-Fi Connect) .....	79
5-10 Print Standby Mode.....	80
5-10-1 About Print Standby Mode.....	80
5-10-2 How to switch the printer from Standby Mode to Print Ready Mode.....	80
<b>6. Maintenance .....</b>	<b>81</b>
6-1 Cleaning Printer .....	81
6-2 Cleaning Printer Head.....	82
6-3 Cleaning Platen Roller .....	83
6-4 Cleaning Peeler Module (optional).....	84
<b>7. Specifications .....</b>	<b>85</b>
7-1 Printer Specifications.....	85
7-2 Label Types Specifications .....	85

## Copyright

© BIXOLON Co., Ltd. All rights reserved.

This user manual and all property of the product are protected under copyright law. It is strictly prohibited to copy, store, and transmit the whole or any part of the manual and any property of the product without the prior written approval of BIXOLON Co., Ltd. The information contained herein is designed only for use with this BIXOLON product. BIXOLON is not responsible for any direct or indirect damages, arising from or related to use of this information.

- The BIXOLON logo is the registered trademark of BIXOLON Co., Ltd.
- All other brand or product names are trademarks of their respective companies or organizations.

BIXOLON maintains ongoing efforts to enhance and upgrade the functions and quality of all our products.

In the following, product specifications and/or user manual content may be changed without prior notice.

## Caution

Electronics, such as printers, are prone to damage by static electricity. Therefore, to protect the printer from static electricity, be sure to turn off the printer before connecting or disconnecting the cable to the rear of the printer. If the printer is damaged by static electricity, contact your local dealer.

This equipment is not suitable for use in locations where children are likely to be present. When the printer is operating with the media cover open, do not wear anything that can touch the drive, such as clothing, necklaces, rings, watches, or employee certificates close to it. Also, keep yourself away from the printer as it is dangerous for some parts of the body to come into contact with it. If an object or part of your body touches the drive, immediately disconnect the power cord or turn off the power switch on the back of the product.

### **Warning**

Hazardous moving parts

Keep fingers and other body parts away

Pull the print head lever can be stop all moving parts.



IEC 60417-6057 (2011-05) for other moving parts.

### **Mise en garde**

Les appareils électroniques, tels que les imprimantes, risquent d'être endommagés par l'électricité statique. Par conséquent, pour protéger l'imprimante de l'électricité statique, veuillez à l'éteindre avant de connecter ou de déconnecter le câble situé à l'arrière de celle-ci. Si l'imprimante est endommagée par l'électricité statique, contactez votre revendeur local

Cet appareil n'est pas adapté d'utiliser dans des endroits où des enfants sont probablement d'être présents.

Lorsque l'imprimante fonctionne avec le capot ouvert, ne portez rien qui puisse entrer en contact avec le mécanisme, tel que des vêtements, des colliers, des bagues, des montres ou des certificats d'employé à proximité. Éloignez-vous également de l'imprimante car il est dangereux que certaines parties du corps entrent en contact avec celle-ci. Si un objet ou une partie de votre corps entre en contact avec le mécanisme, débranchez immédiatement le câble d'alimentation ou éteignez l'interrupteur situé à l'arrière du produit.

### **Attention**

Pièces mobiles dangereuses

Veillez à ce que vos doigts ou toute partie du corps n'entre(nt) pas en contact avec ces pièces. Tirez le levier de la tête d'impression pour arrêter toutes les pièces en mouvement.



IEC 60417-6057 (2011-05) pour les autres pièces mobiles.

## **Compliance information**

This device complies with Part 15 of the FCC Rules. Operation is subject to the following two conditions: (1) This device may not cause harmful interference, and (2) This device must accept any interference received, including interference that may cause undesired operation.

This equipment has been tested and found to comply with the limits for a Class A digital device pursuant to Part 15 of the FCC Rules. These limits are designed to provide reasonable protection against harmful interference when the equipment is operated in a commercial environment. This equipment generates uses, and can radiate radio frequency energy and, if not installed and used in accordance with the instruction manual, may cause harmful interference to radio communications. Operation of this equipment in a residential area is likely to cause harmful interference in which case the user will be required to correct the interference at his own expense.

Caution: Exposure to Radio Frequency Radiation.

To comply with FCC RF exposure compliance requirements, a separation distance of at least 20 cm must be maintained between the antenna of this device and all persons.

Caution: Any Changes or modifications not expressly approved by the manufacturer could void the user's authority to operate the equipment.

Class A Digital Device : Wired Device

This Apparatus complies with class "A" limits for radio interference as specified in the Canadian department of communications radio interference regulations.

This Class A digital apparatus complies with Canadian ICES-003.

Appareil numérique de classe A: appareil filaire

Get appareil est conforme aux normes class "A" d'interference radio tel que specifier par ministre canadien des communications dans les reglements d'interference radio.

Cet appareil numérique de la classe A est conform à la norme NMB-003 du Canada.

## **Waste Electrical and Electric Equipment (WEEE)**



This marking shown on the product or its literature, indicates that it should not be disposed of with other household wastes at the end of its working life. To prevent possible harm to the environment or human health from uncontrolled waste disposal, please separate this from other types of wastes and recycle it responsibly to promote the sustainable reuse of material resources. Household users should contact either the retailer where they purchased this product, or their local government office, for details of where and how they can take this item for environmentally safe recycling. Business users should contact their supplier and check the terms and conditions of the purchase contract. This product should not be mixed with other commercial wastes for disposal.



## **WARNING & CAUTION**

It describes death, physical injuries, serious financial losses, and damage to data etc. that can be caused to the user.

Do not connect multiple products to one single power outlet. Do not connect the product to a loose power outlet. Use only power outlets that meet the standard. Connect the power cord only to a grounded power outlet. **Noncompliance may cause electric shock or fire.**



Use only authentic products from BIXOLON. **The company will not provide post-sale support for damage or other quality issues that any fake (refurbished) products may incur.**



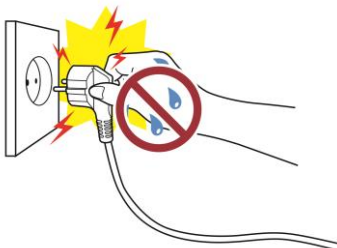
Do not bend or strain the power cord excessively. Push the power cord all the way into the power outlet lest it remain loose. Make sure to hold the cord tight when separating it from the power outlet. Do not remove the power cord while the product is in use. **Noncompliance may cause electric shock or fire.**



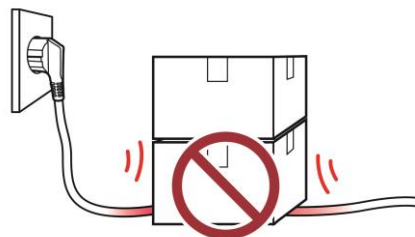
Keep small accessories or other packaging materials away from young children. Beware: children may swallow them. **Mishandling the product may incur injuries. If a child has swallowed any such thing, see a doctor at once.**



Do not touch the power cord with wet hands when pulling it from a power outlet. If the power plug or outlet is smeared with extraneous matter, wipe it with a dry cloth. **Noncompliance may cause electric shock or fire.**

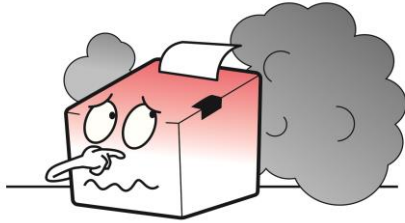


Do not allow the product to be damaged by heavy objects. **Noncompliance may cause electric shock or fire.**

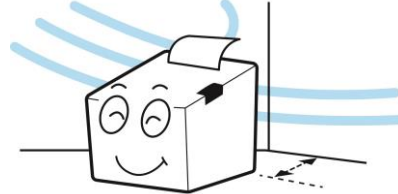




If the product emits a strange sound, burning smell, or smoke, turn off the power immediately and unplug the power cord. If the product is dropped or its exterior is damaged, turn off the power immediately and unplug the power cord. Do not subject the product to shock. **It may start a fire. It may damage the product.**



Install the product in a well-ventilated place by keeping it a certain distance from the wall. The product installed in certain places such as where a lot of fine dust is generated, where the temperature is too high or too low, where there is a lot of moisture or water, and at airports or stations that are used continuously for a long time may suffer serious quality problems due to the influence of the surrounding environment. **An increase in internal temperature may start a fire. Be sure to contact the place of purchase before installing the product.**



Install the product in a fixed place preventing it from tipping over. When moving the product, turn off the power and disconnect all cables connected to the product, including the power cord. **It may damage the product.**



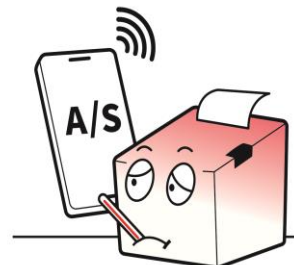
Never disassemble, repair, or modify the product at your own discretion. **When repair is necessary, contact the place of purchase.**



Do not let any foreign substances enter the product. Do not place heavy objects, liquids, or metals on the product. **It may start a fire. It may damage the product.**



**If there is a problem with the product, please contact the place of purchase. In addition, Bixelon website (<http://www.bixelon.com>) provides product repair.**



## Manual Introduction

This manual provides basic information on printers and provides ways to install, use, and check them.

In order to protect the safety of users and prevent property damage, be fully familiar with this manual before using the product. Please use it.

### **1. Windows Driver Manual**

This manual provides information on the installation instructions and main functions of the windows driver.

### **2. Unified Label Utility-II Manual**

This manual provides information on the usage of software for function selection of this product, operating condition modification, etc.

### **3. Programming(SLCS) Manual**

This manual provides information on label printer commands.

### **4. True Font Downloader Manual**

This manual provides information on the usage of the font downloader that can download true type fonts and facilitate their usage as device fonts.

### **5. Network Connection Manual**

This manual provides information on the configuration and usage of network interface.

### **6. Bluetooth Connection Manual**

This manual provides information on connection instructions the Bluetooth interface.

### **7. Label Design Program Manual**

This manual provides information on the usage of the Windows PC program that can make labels by adding text, graphics, or barcodes at desired positions.

## Manual Symbol Introduction



### **Precaution & Warning**

It describes death, physical injuries, serious financial losses, and damage to data etc. that can be caused to the user.



### **Note**

It provides additional information on the function and performance of the product.




## Printer Introduction

XT3-40 series printers have been designed to be connected to various types of electronic devices such as computer peripheral devices.

## The main features of the printer are as follows

1. Industrial Label Printer
2. Thermal Transfer / Direct Thermal Printing
3. XT3-40: Max 8ips(203mm/s) Print Speed  
XT3-43: Max 6ips(152mm/s) Print Speed
4. Print Width/Length: 108mm/4,000mm(XT3-40), 105.7mm/2,000mm(XT3-43)
5. Media Width/Outer Diameter/Inner Diameter/Thickness: 20~114mm/203mm/  
1~3inch/0.06~0.25mm
6. Ribbon Width/Length/Type: Max 110mm/450m/Wax, Wax Resin, Resin, Outside,  
Inside
7. Movable Transmissive Sensor, Movable Reflective Sensor
8. 128MByte Flash/128MByte SDRAM
9. 2.4 Inch Color Graphics TFT LCD + Keypad
10. Option: Auto Cutter, Peeler, Rewinder(include peeler)
11. Support for multiple interfaces
  - Standard: USB & Serial & Ethernet
  - Option: Parallel, Bluetooth, WLAN

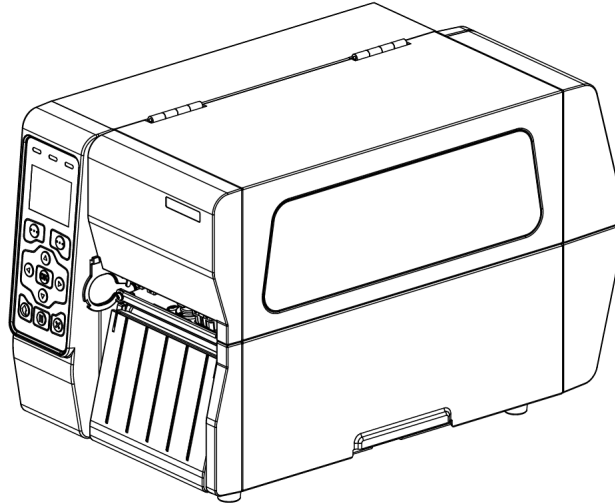
## Product Symbol Introduction

	AC (Alternation Current)
	DC (Direct Current)
	USB

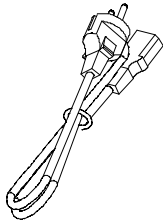
# 1. Content Confirmation

The following items should all be contained in the printer package.  
Contact the dealer from which the purchase was made if any item is damaged and/or missing.

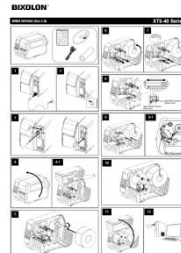
## Product



## Basic Components



**Power Cord**



**Quick Manual**

## Option Components



**Serial (RS-232C) Cable**



**Parallel (IEEE1284) Cable**

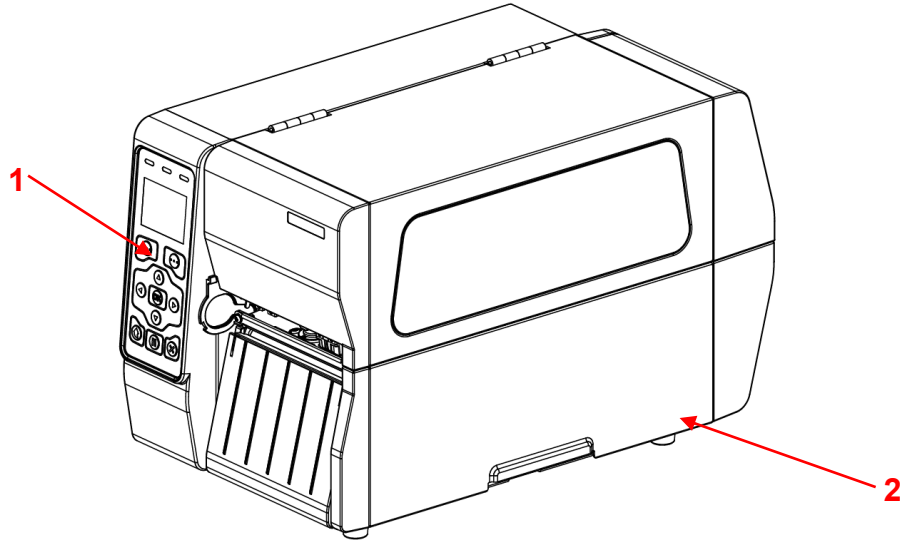


**USB Cable**

## 2. Product Part Names

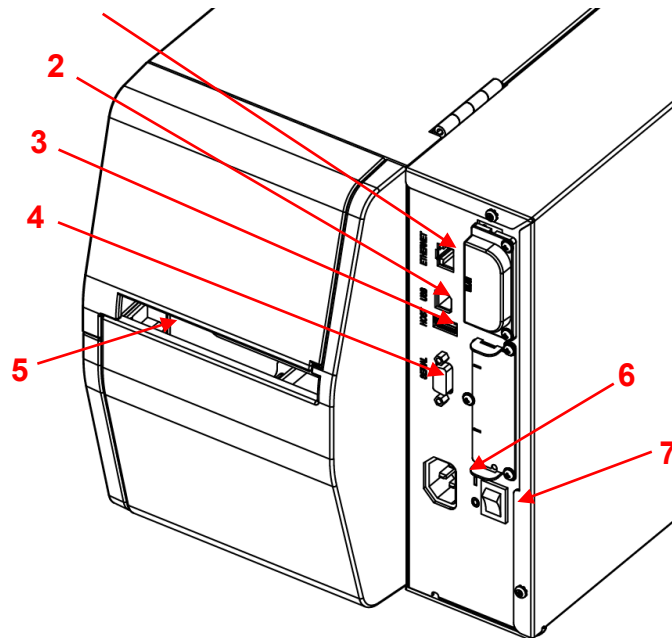
### 2-1 Printer Part Names

- Front



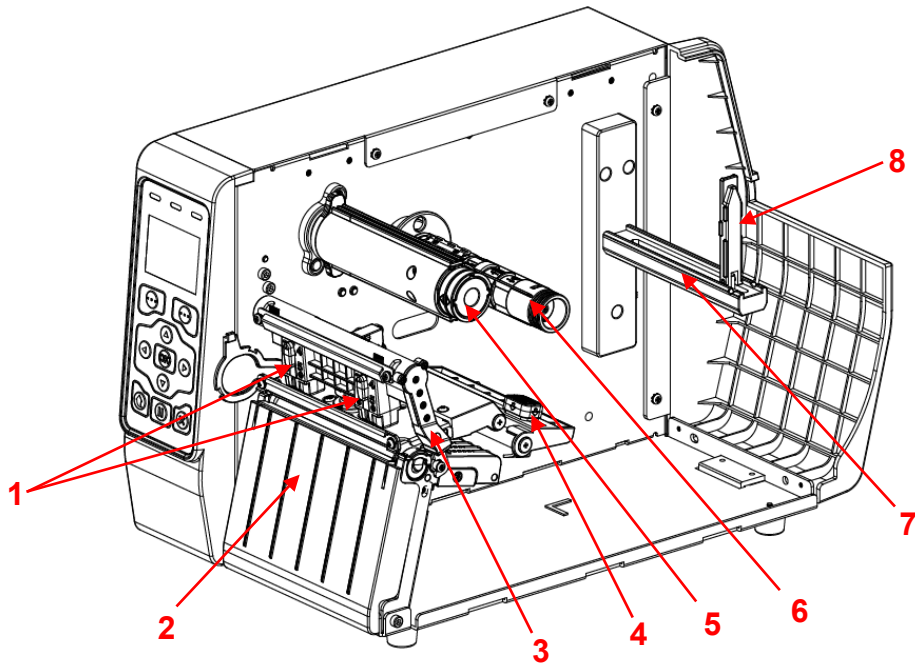
<b>1</b>	Control Panel	<b>2</b>	Media Cover
----------	---------------	----------	-------------

- Back

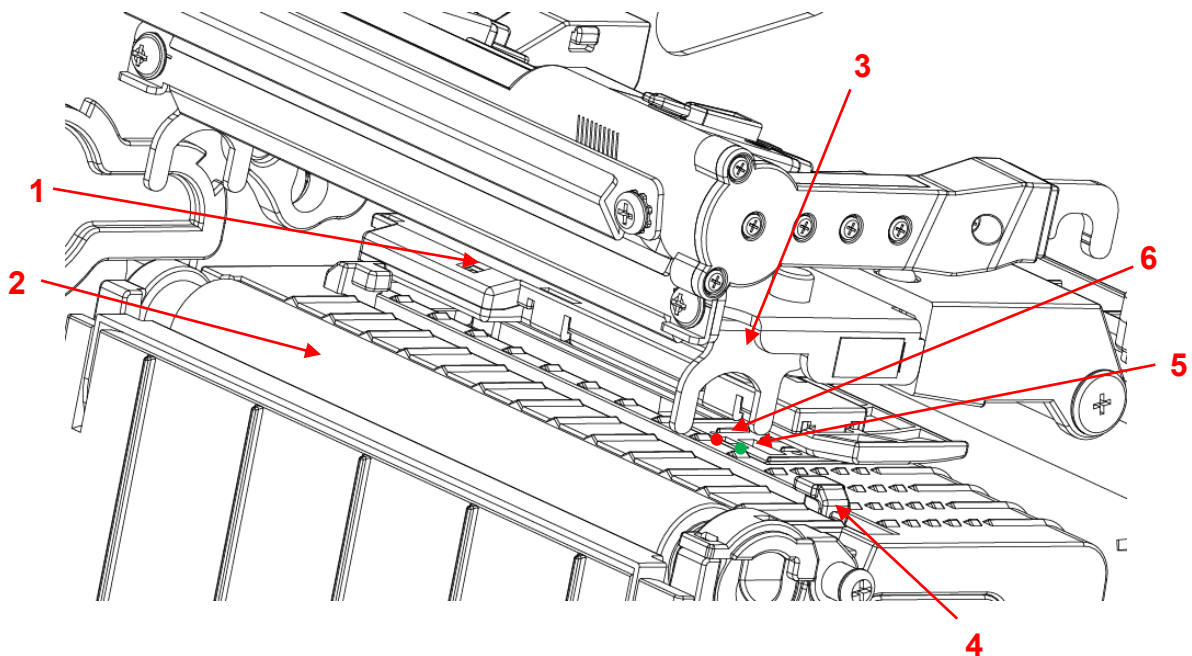


<b>1</b>	Ethernet Port	<b>5</b>	Rear Access Slot(Media)
<b>2</b>	USB Port	<b>6</b>	Power Connector
<b>3</b>	USB Host Port	<b>7</b>	Power Switch
<b>4</b>	Serial(RS-232C) Port		

Internal

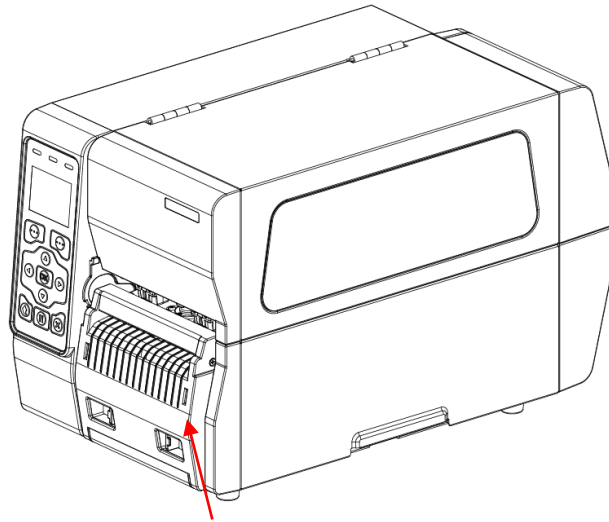


<b>1</b>	Printer Head Pressure Adjustment	<b>5</b>	Ribbon Take-up Spindle
<b>2</b>	Cover STD	<b>6</b>	Ribbon Supply Spindle
<b>3</b>	Printer Head Lever	<b>7</b>	Media Holder
<b>4</b>	Rear Media Guide	<b>8</b>	Media Fixing Guide

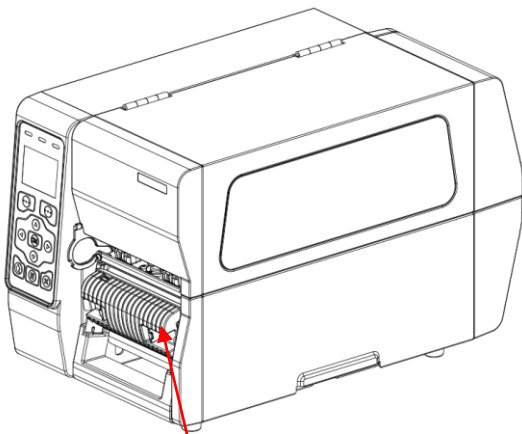


<b>1</b>	Ribbon Sensor	<b>4</b>	Front Media Guide
<b>2</b>	Platen Roller	<b>5</b>	Black Mark Sensor (Green LED)
<b>3</b>	Printer Head	<b>6</b>	Gap & Notch Sensor (Red LED)

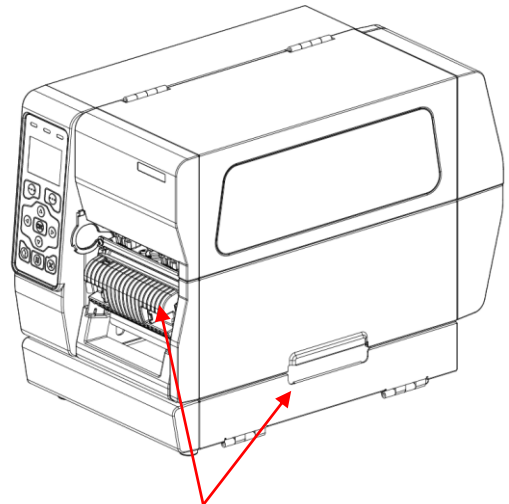
**Printer Option**



**Auto Cutter**



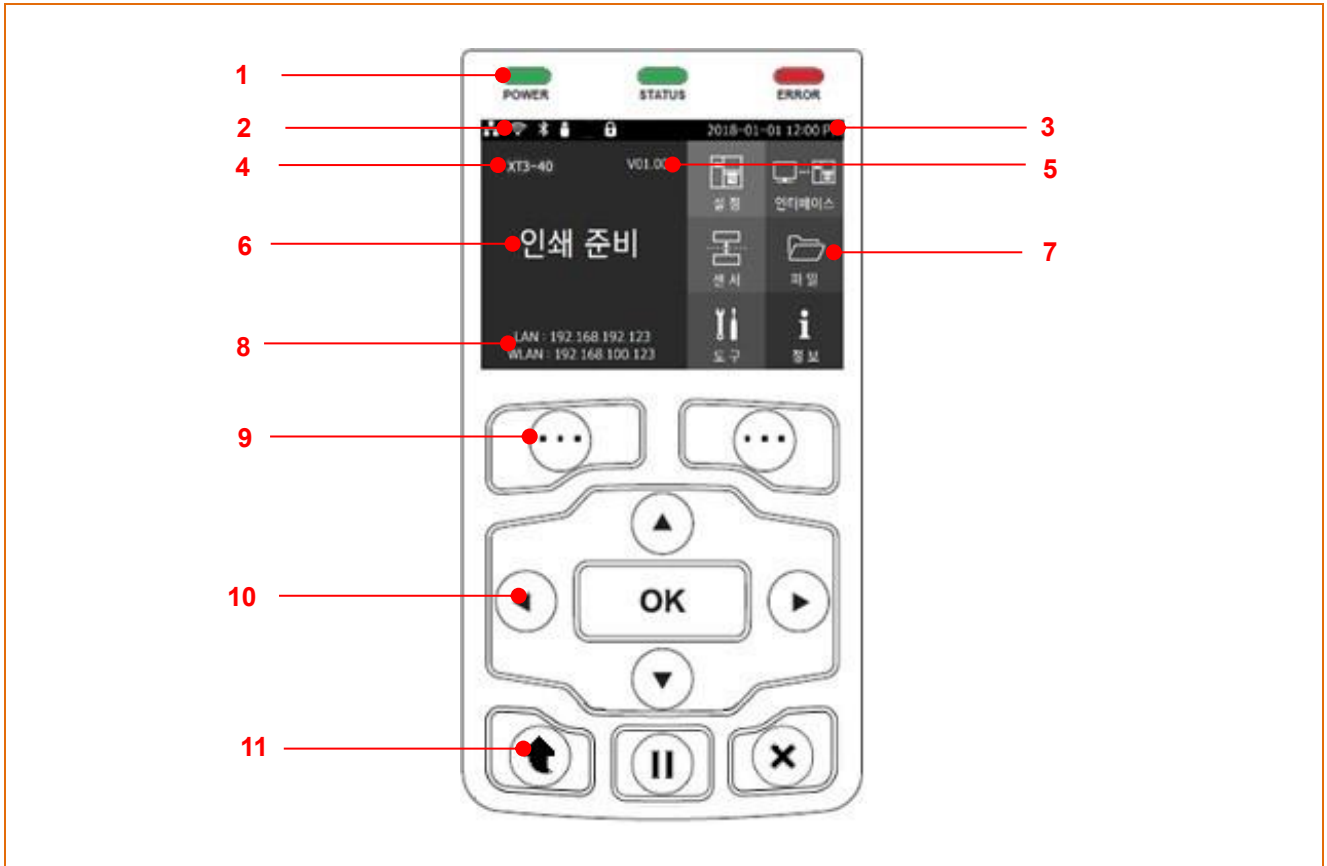
**Peeler**



**Peeler + Rewinder**

**2-2 Major Control Part Names**

**2-2-1 Control Panel**






No	Description
1	Printer status LED
2	Interface status icon
3	Date, Time
4	Model name
5	Firmware version
6	Printer status
7	Main icon
8	Ethernet IP, WLAN IP
9	Function button
10	Direction button, Selection button
11	Printer operation button










## 2-2-2 Detailed Descriptions

### 2-2-2-1 Printer Status LED

List	Status	Explanation
 POWER	ON	Printer power on
	OFF	Printer power off
 STATUS	ON	Waiting for data reception
	BLINK	Receiving data
 ERROR	BLINK	Print error
	OFF	In normal operation

### 2-2-2-2 Interface Status Icon

List	Status	Explanation
	ON	Ethernet is connected
	OFF	Ethernet is not connected
	ON	Not connected to AP
	OFF	WLAN communication is not supported
	ON	Connected to AP, Strength: 4
	ON	Connected to AP, Strength: 3
	ON	Connected to AP, Strength: 2
	ON	Connected to AP, Strength: 1
	ON	Bluetooth is not connected to the host
	OFF	Bluetooth communication is not supported
	ON	Bluetooth is connected to the host
	ON	USB device is connected
	OFF	USB device is not connected
	OFF	SD card is not installed
	ON	Password feature is enabled
	OFF	Password feature is disabled

### 2-2-2-3 Date, Time (RTC clock)

List	Explanation
YYYY-MM-DD	Date
12:00 AM/PM	Time



## 2-2-2-4 Model Name

List	Explanation
XT3-40	Model name







## 2-2-2-5 Firmware Version

List	Explanation
V01.00	Firmware version

## 2-2-2-6 Printer Status

List	Explanation
READY	Ready for print
STANDBY	Standing by for user input -  button: Switch to Print Standby Mode without feeding any media -  button: Feed one sheet of media to align the media position and switch to the Print Standby Mode
PRINTING	In printing
PAUSE	Printing pause
CANCEL	Canceled printing
F/W Downloading	Downloading firmware
PRINT HEAD OPEN	Printer head is open
PRINT HEAD OVER TEMP	Printer head has reached the maximum temperature
PRINT HEAD COLD TEMP	Printer head has reached the minimum temperature
AUTO CUTTER JAM	Media is stuck in the auto cutter blade
MEADIA OUT	Media is not installed correctly
RIBBON OUT	Ribbon is not installed correctly
MEADIA JAM	Media is jammed and not printing normally
SENSING FAIL	Media is not recognized normally


2-2-2-7 Main Icons

List	Explanation
 Setting	Printer settings
 Interface	Interface settings
 Sensor	Sensor settings
 Files	File settings
 Tools	Additional and other functions settings
 Info	Providing printer information

2-2-2-8 Ethernet IP, WLAN IP

List	Explanation
LAN: 192.168.100.123	Ethernet IP
WLAN: 192.168.100.123	WLAN IP (displayed only when WLAN is supported)




2-2-2-9 Function Button

List	Explanation
	Used for selection, cancellation, storing, and deletion

2-2-2-10 Direction Button, Selection Button

List	Explanation
	Used for menu selection

## 2-2-2-11 Printer Operation Button

List	Explanation
	Softly press and release the button to feed one label
	Press the button for 2 seconds during printing to pause printing
	Press the button for 2 seconds during printing to cancel printing

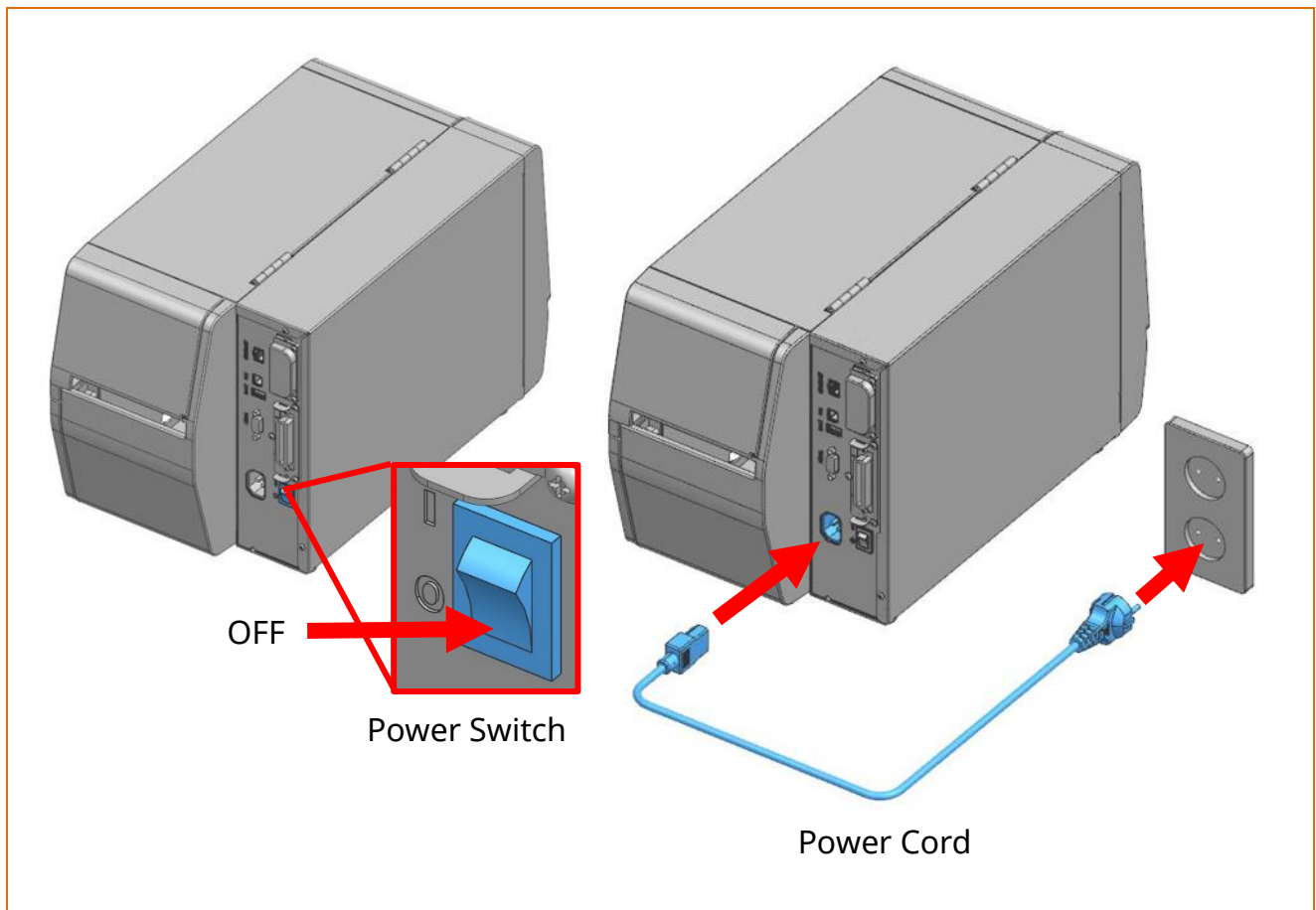
## **3. Installation & Usage**

### **3-1 Printer Installation Placings**

- Install the printer in a location that meets the following conditions.
  - Allow sufficient space around the printer for proper ventilation.
  - Do not place objects close to the back or bottom of the printer, which may hinder the air circulation.
  - Install the printer on a flat and level surface.
  - Avoid humid environment.
  - Install in a place that does not exceed the protocol standard of the wireless communication or the specified maximum distance.
  - For stable wireless communication, install in a place where there is no physical obstacle (wall, object, etc.).

### 3-2 Power Connection

- Connect power to the printer as shown below.



- 1) Turn off the printer power switch.
- 2) Connect the power cord to the printer.
- 3) Connect the power cord to a power source/outlet.



- For the safety of people and equipment, please use the appropriate power cord for your country or region.
- Be sure to turn off the printer before connecting the power cord to the printer. This can cause serious electrical damage and bodily injury.
- Do not operate the printer and power supply in a humid environment. This can cause serious electrical damage and bodily injury.
- Do not connect an input voltage beyond the specifications of the power supply. This may result in product damage and fire.

### 3-3 Interface

Shielded cables must be used to prevent radiation and reception of electrical noise. Use the shortest possible communication cable to minimize the detection of electrical noise in the cable.



- Serial(RS-232C) Cable (1.8m or less recommended)
- Parallel(IEEE1284) Cable (1.8m or less with ferrite core recommended)
- USB B-Type Cable (1.8m or less recommended)
- LAN(Ethernet) Cable (3m or less, CAT-5 or higher UTP Cable)

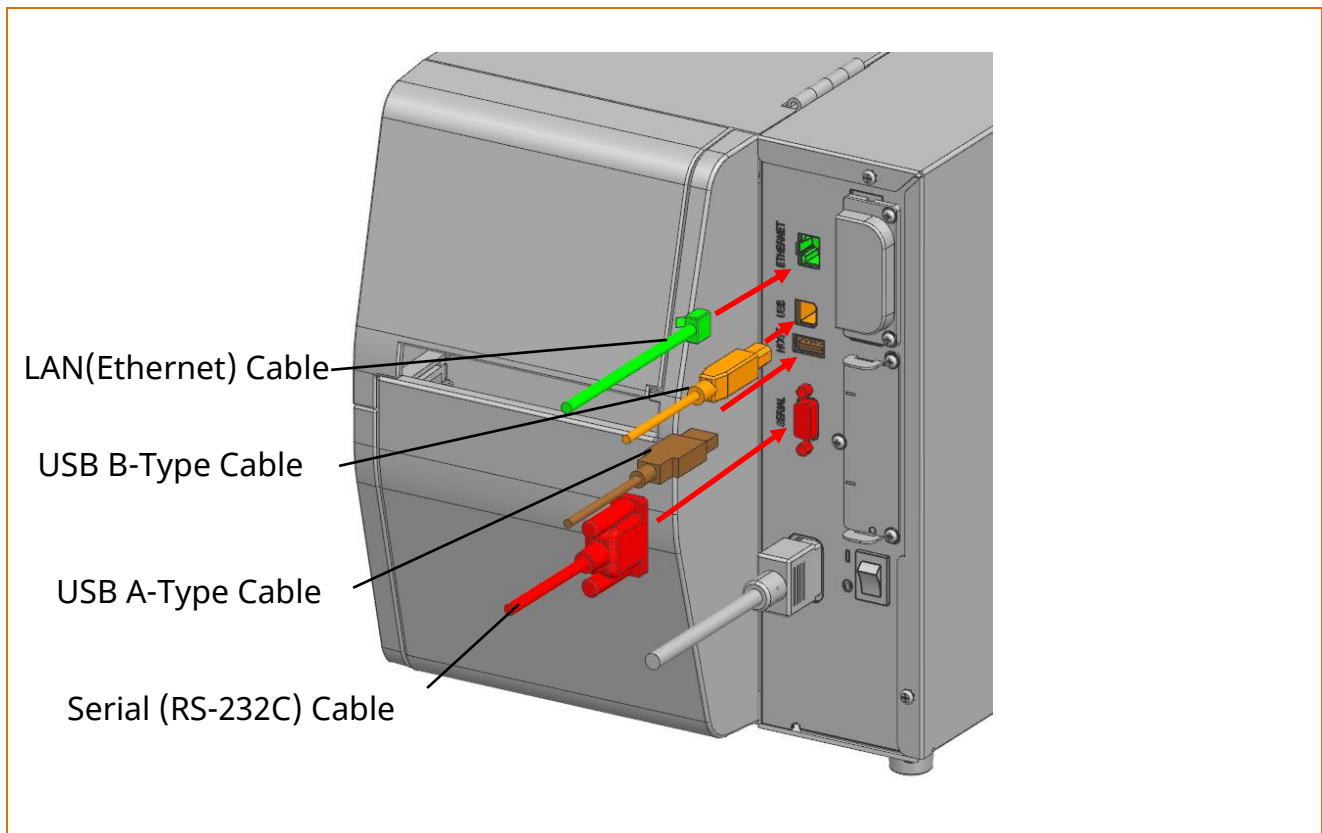


- **Connecting unshielded communication cables is in violation of EMC standards. Use the cable approved by us.**
  - **Do not bundle the communication cable with objects that may cause electrical noise and interference. The printer may be damaged.**
  - **After turning off the power switch of printer, connect and disconnect the communication cable.**
- This can cause serious electrical damage and bodily injury.**

### 3-3-1 Standard Interface

This printer can use the following types of communication.

- LAN (Ethernet) Cable / USB B-Type & USB A-Type Cable / Serial (RS-232C) Cable



1) Turn off the power switch.

2) Connect the communication cable to the printer communication port to be used.

- Connect the LAN(Ethernet) cable to the Ethernet port.
- Connect the USB B-Type cable to the USB port.
- Connect the USB A-Type cable to the USB port.
- Connect Serial(RS-232C) cable to the serial port and tighten both screws.



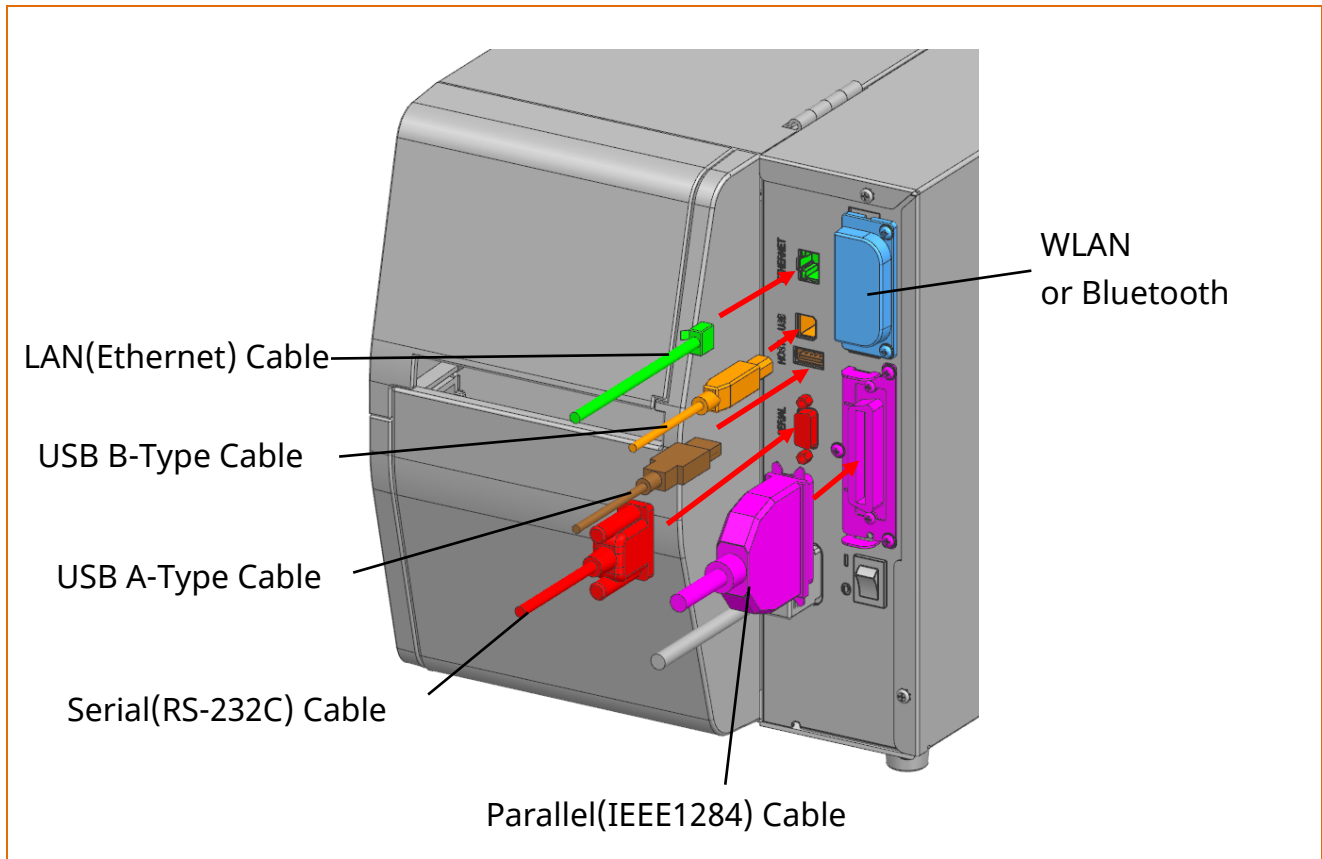
**Be aware that the product's electronic components may be damaged due to discharging of electrostatic energy that accumulates on the surface of the body or other objects.**



### 3-3-2 Option Interface

This printer can use the following types of communication.

- LAN (Ethernet) Cable / USB B-Type & USB A-Type Cable / Serial (RS-232C) Cable
- WLAN / Bluetooth / Parallel(IEEE1284) Cable



- 1) Turn off the power switch.
- 2) Connect the communication cable to the printer communication port to be used.
  - Connect the LAN(Ethernet) cable to the Ethernet port.
  - Connect the USB B-Type cable to the USB port.
  - Connect the USB A-Type cable to the USB port.
  - Connect Serial(RS-232C) cable to the serial port and tighten both screws.
  - Connect Parallel(IEEE1284) Cable to parallel port and fasten both clips.
  - Wireless interface does not require a separate cable connection



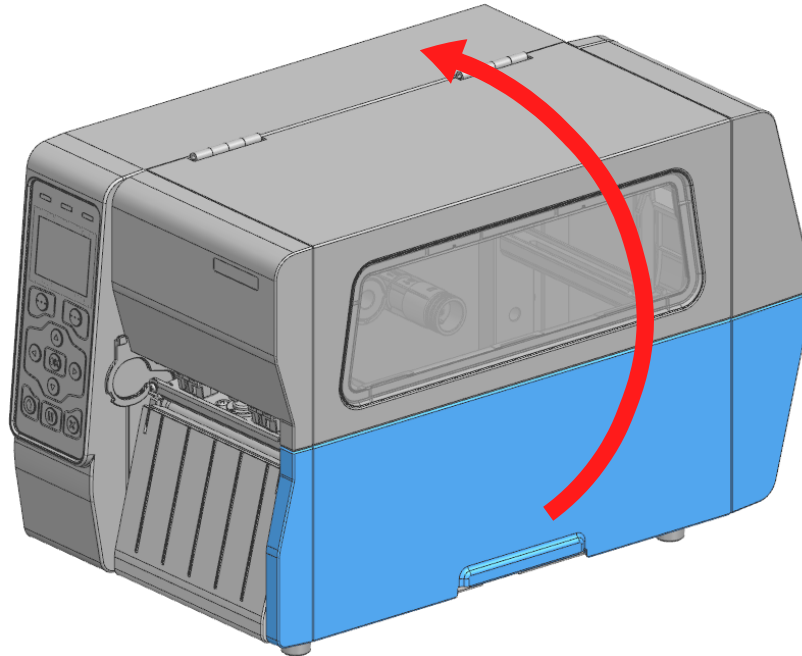
**Be aware that the product's electronic components may be damaged due to discharging of electrostatic energy that accumulates on the surface of the body or other objects.**

**3-4 Media Installation**

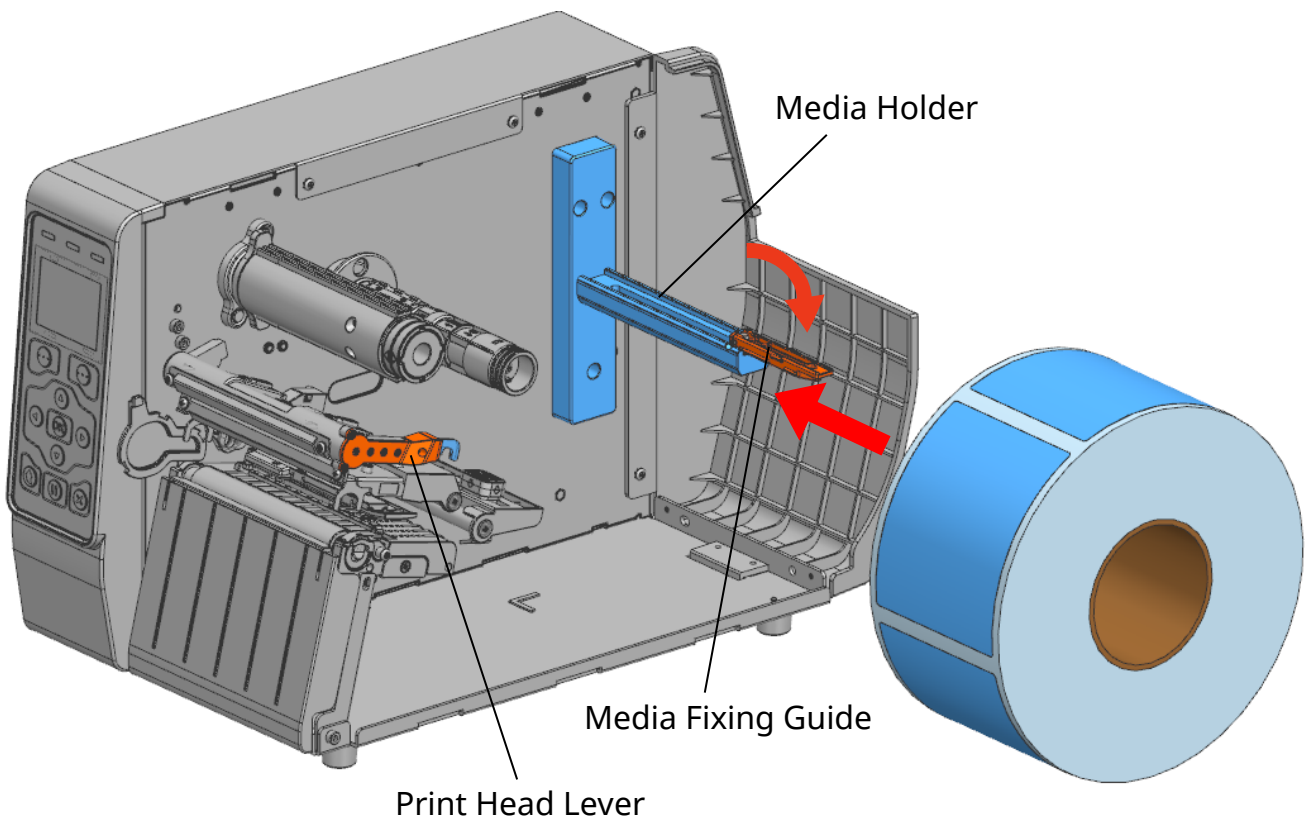
**3-4-1 Media Installation Method of Standard Model**

For standard models, install media in the following ways:

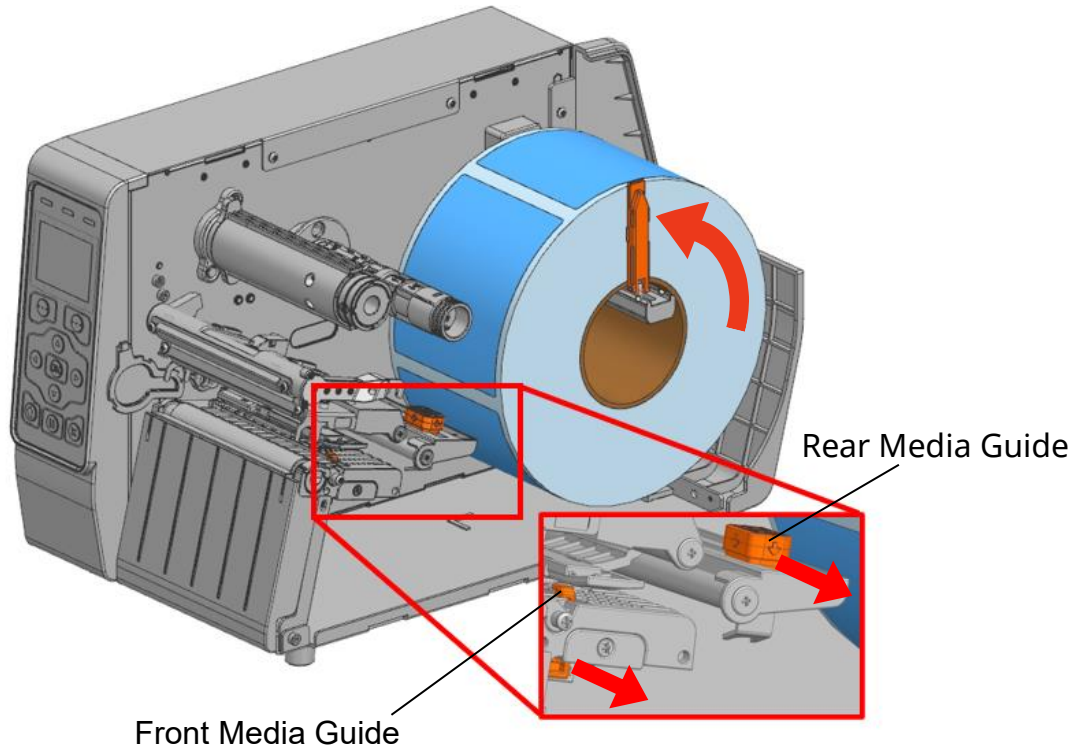
1) Open the media cover.



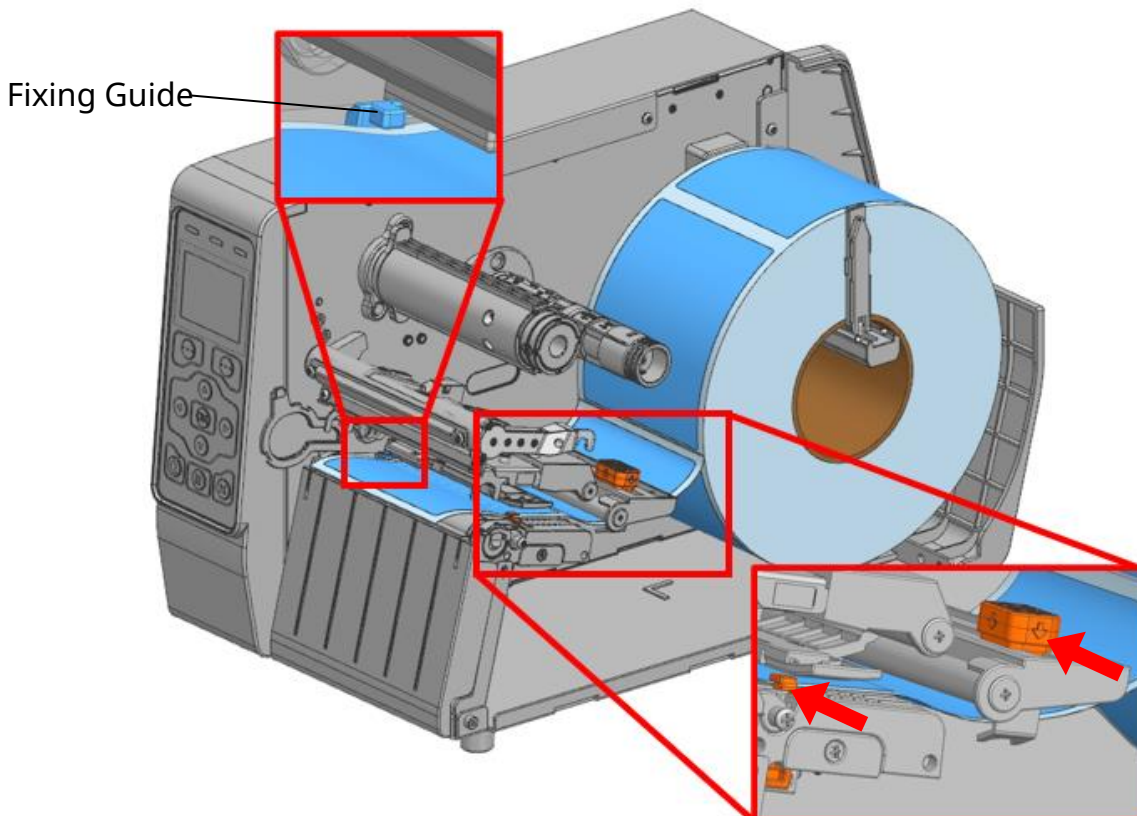
2) Open the printer head lever. Flip down the media fixing guide and place the media in the media holder with print side up.



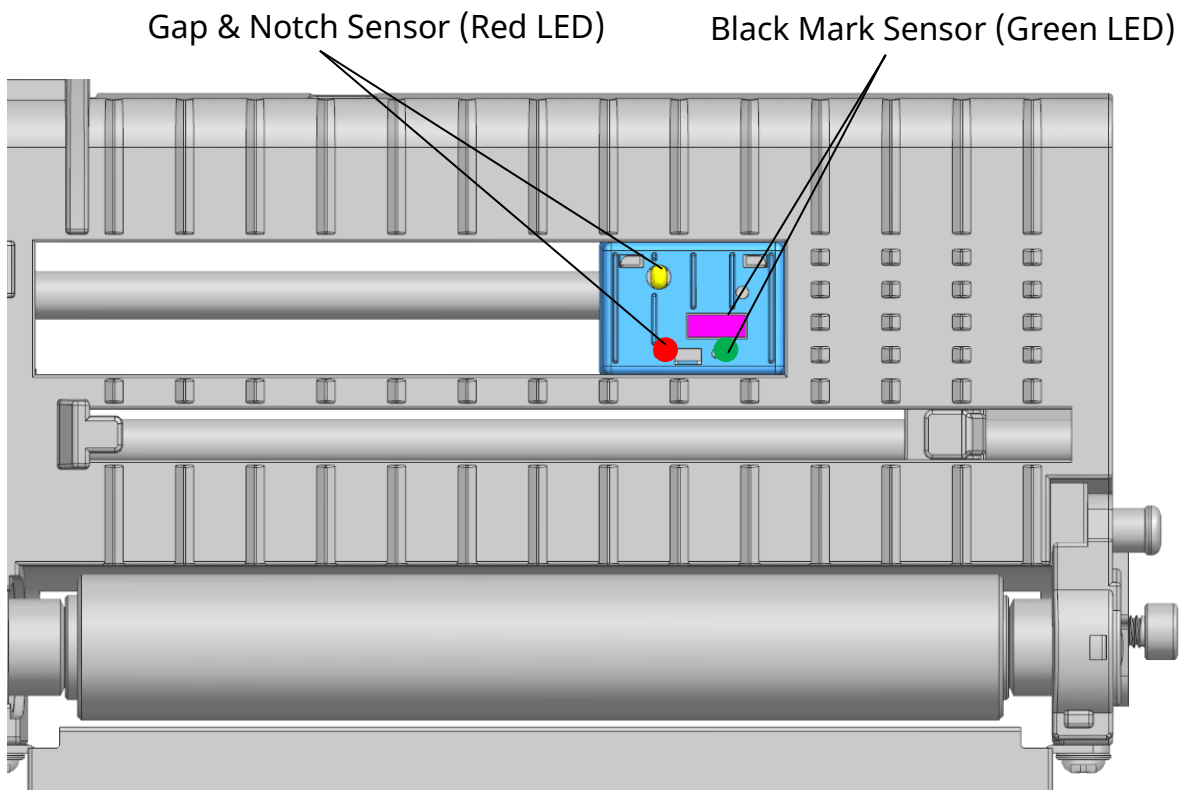
- 3) After flip up the media fixing guide, push the holder so that it is close to the media.  
Push the front and rear media guides to the right.  
- Push rear media guide by hand to move it



- 4) After inserting the media into the fixing guides, adjust the front and rear media guides to the media width.



5) Please make sure the sensor position where media gap/black mark will pass through for sensing. Sensor (gap & notch sensor, black mark sensor) can be moved by the sensor lever. Check the sensor position with LED color.



6) Close the printer head lever and media cover.



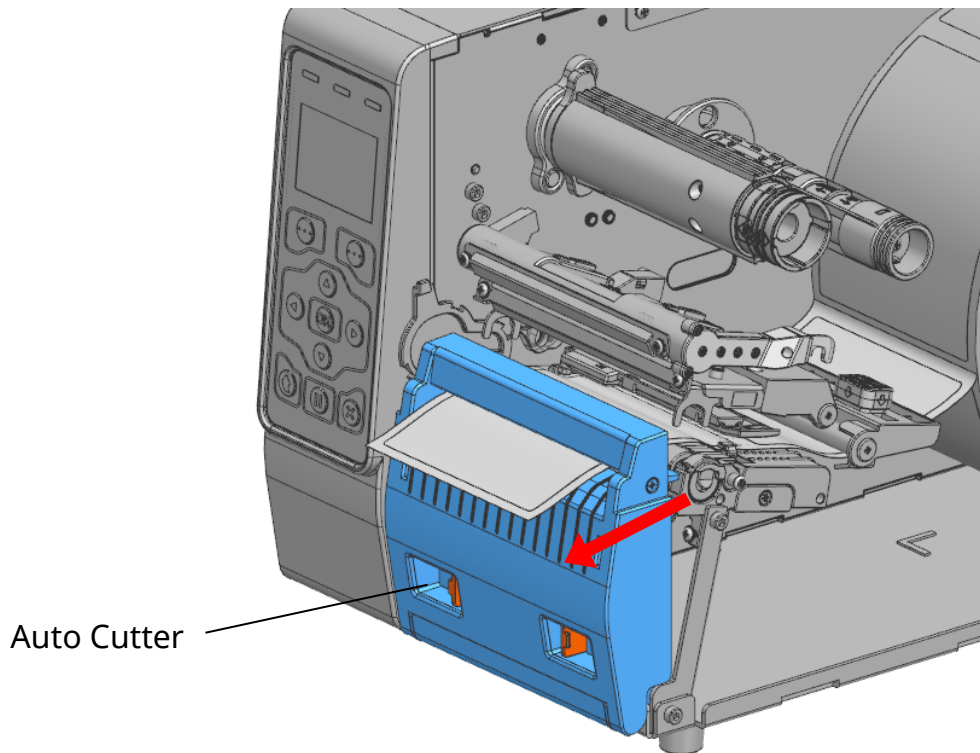
- When opening or closing the cover, be careful not to pinch your fingers.
- Do not open the printer head levers while the printer is printing. The printer may be damaged.
- Change the media when the printer is not receiving data, or data may be lost.
- While the printer is operating, the printer head gets very hot, so turn off the power and let it cool down completely. The hot printer head can cause serious burns.

### 3-4-2 Media Installation Method of Auto Cutter (optional) Model

Use the autocutter to cut the printed media.

For Auto Cutter Model, install media in the following ways:

- 1) Refer to '3-4-1 Media Installation Method of Standard Model' to install media, adjust media guide and sensor position.
- 2) Install the media through the auto cutter as shown in the figure.



- 3) Close the print head lever and media cover.



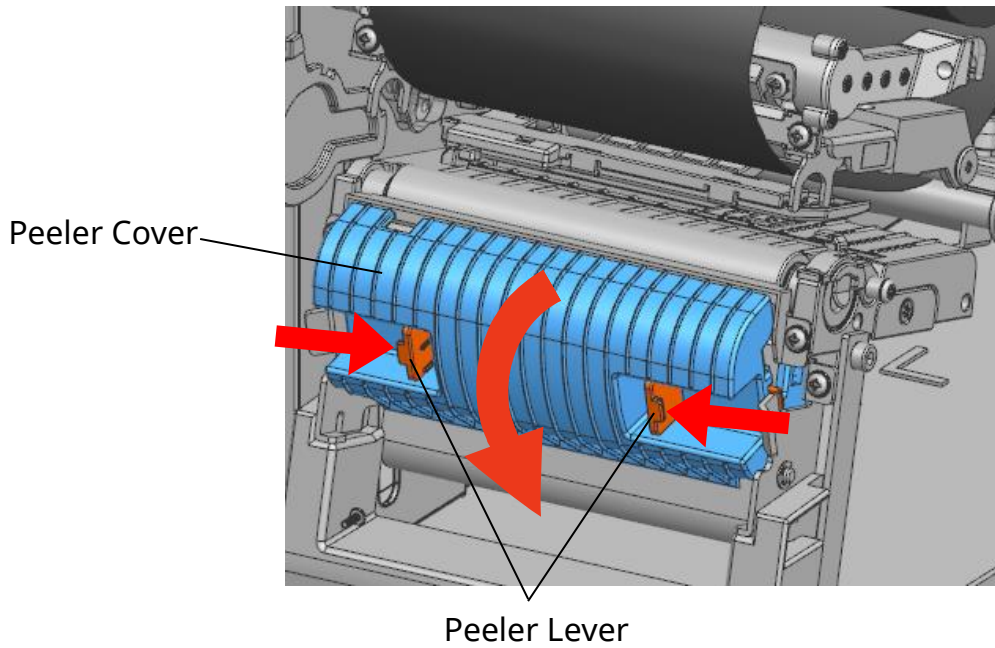
- When opening or closing the cover, be careful not to pinch your fingers.
- Do not open the print head levers while the printer is printing. The printer may be damaged.
- Change the media when the printer is not receiving data, or data May be lost.
- Never insert objects or fingers while performing the cutting function. This can cause serious bodily injury.
- Be careful not to touch the cutter blade with your hand. There may be a risk of personal injury.
- While the printer is operating, the printer head gets very hot, so turn off the power and let it cool down completely. The hot printer head can cause serious burns.



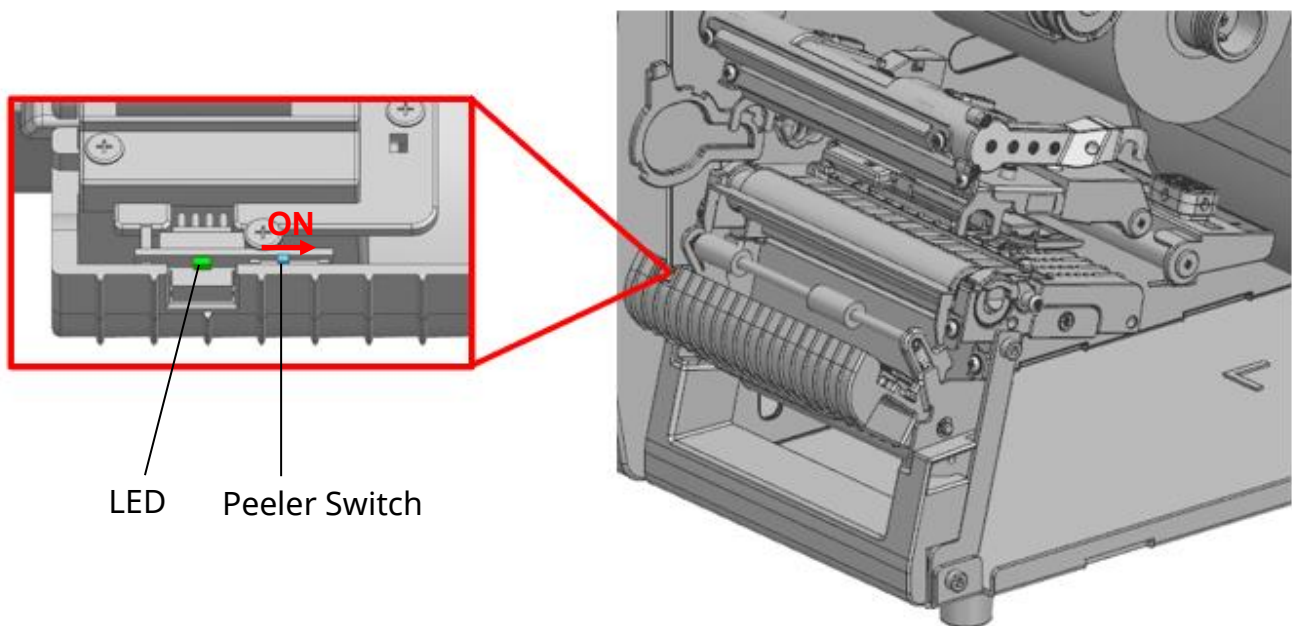
## 3-4-3 Media Installation Method of Peeler (Optional) Model

Use a peeler to automatically separate the printed media from the liner.  
For Peeler (Optional) Model, install media in the following ways:

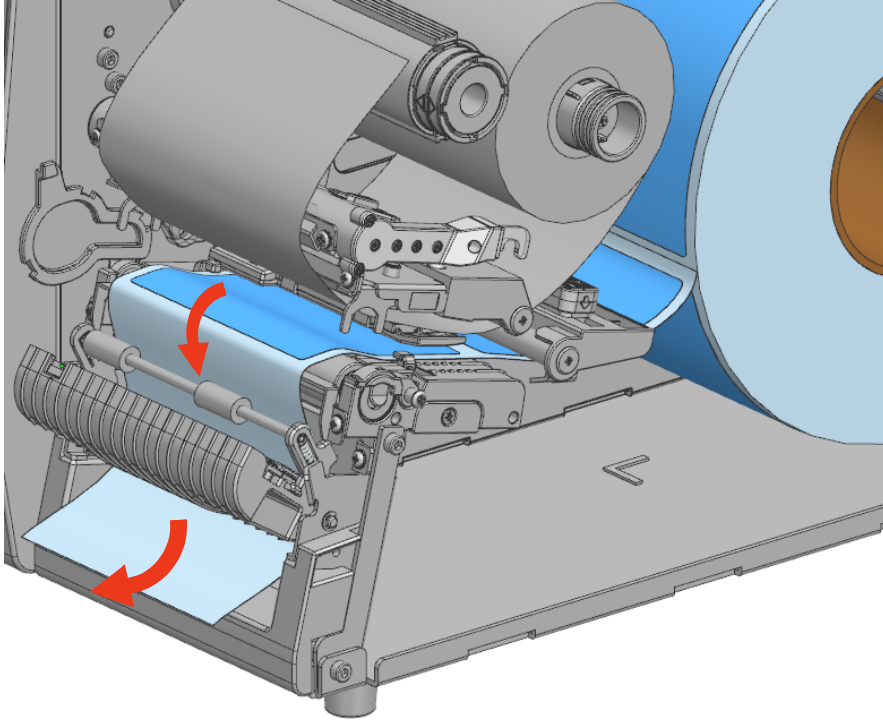
- 1) Refer to '3-4-1 Media Installation Method of Standard Model' to install media, adjust media guide and sensor position.
- 2) Press the left and right peeler levers to open the peeler cover.



- 3) Move the peeler switch to ON. Please make sure that the LED has turned on.



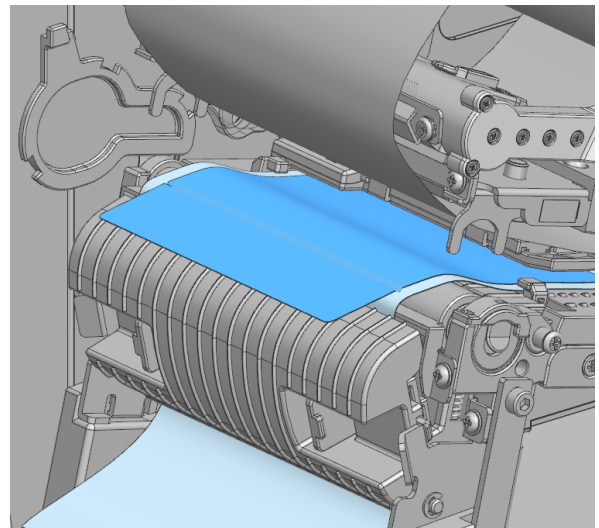
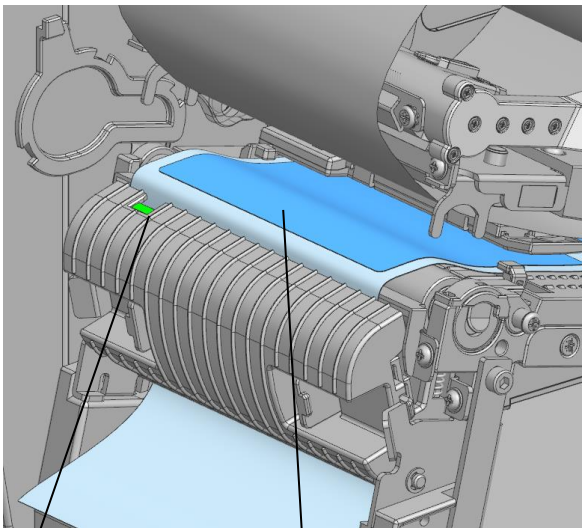
4) Remove several sheets of label media and insert liner as in the picture.



5) Close the peeler cover until it clicks.

**(O)**

**(X)**



Peeler Sensor

Be careful that the media does not cover the peeler sensor

6) Close the print head lever, the rewinder cover, and the media cover.



- **When opening or closing the cover, be careful not to pinch your fingers.**
- **Do not open the print head levers while the printer is printing. The printer may be damaged.**
- **Change the media when the printer is not receiving data, or data may be lost.**
- **The peeler function is only available for label media.**
- **When the peeler is switched on, the next label will not be printed unless the printed label is removed from the peeler.**
- **When the peeler is switched off, the peeler does not work.**
- **While the printer is operating, the printer head gets very hot, so turn off the power and let it cool down completely. The hot printer head can cause serious burns.**



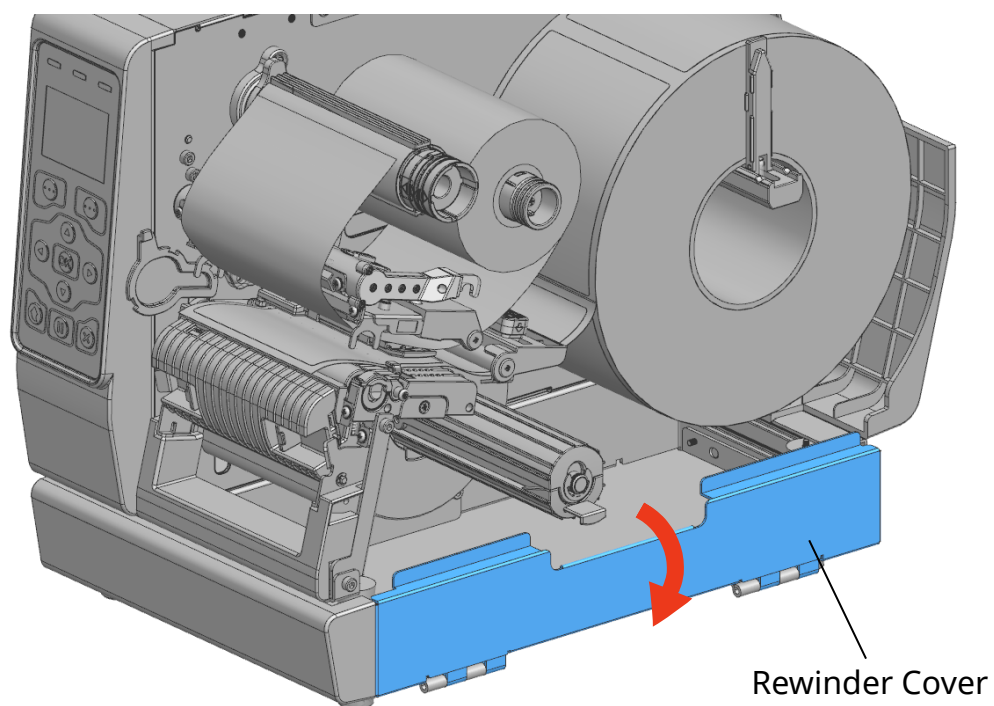
### **3-4-4 Media Installation(Remove) Method of Rewinder(optional-Liner Take-up only) Model**

Use the rewinder to automatically separate the printed media from the liner and rewind the printed media. For rewinder model, install media in the following ways:

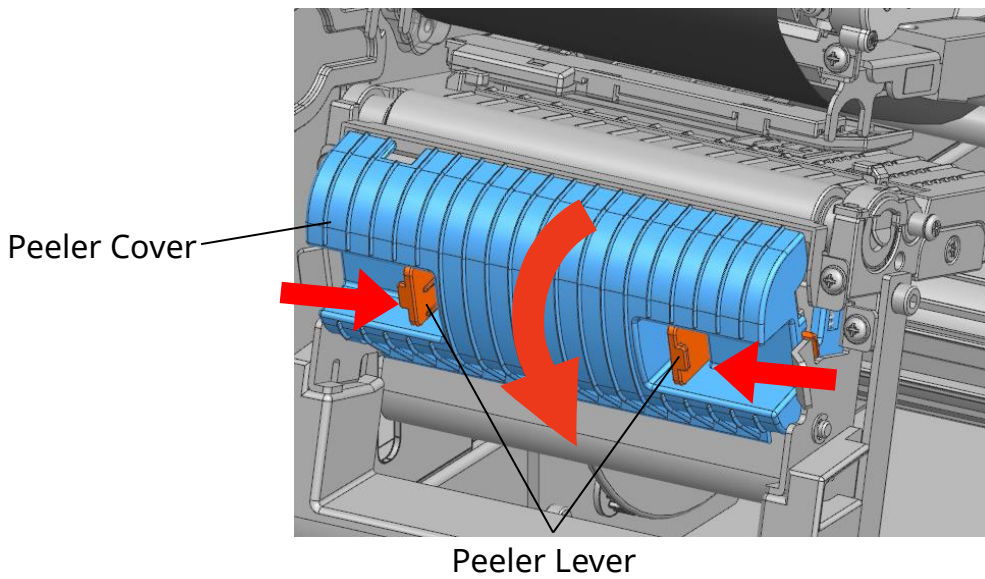
#### **•Media Installation Method**

1) Refer to '3-4-1 Media Installation Method of Standard Model' to install media, adjust media guide and sensor position.

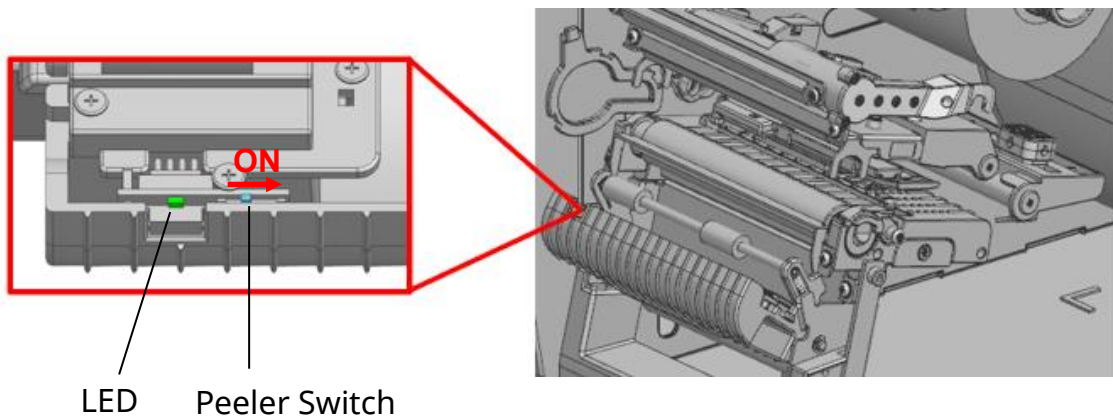
2) Open the rewinder cover.



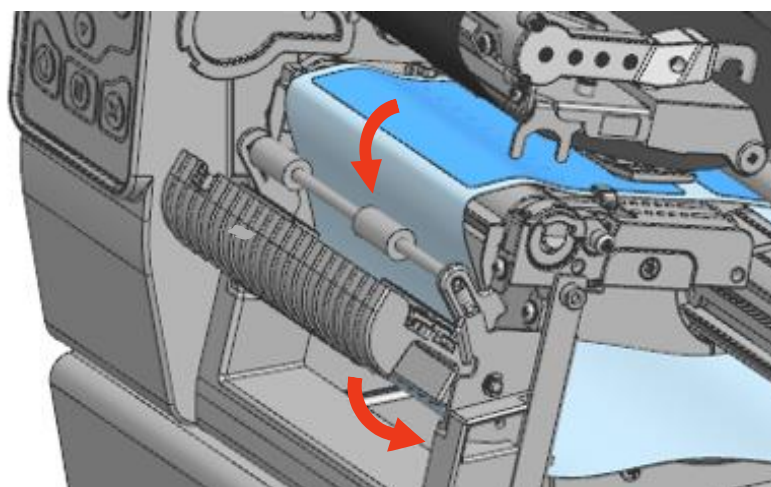
3) Press the left and right peeler levers to open the peeler cover.



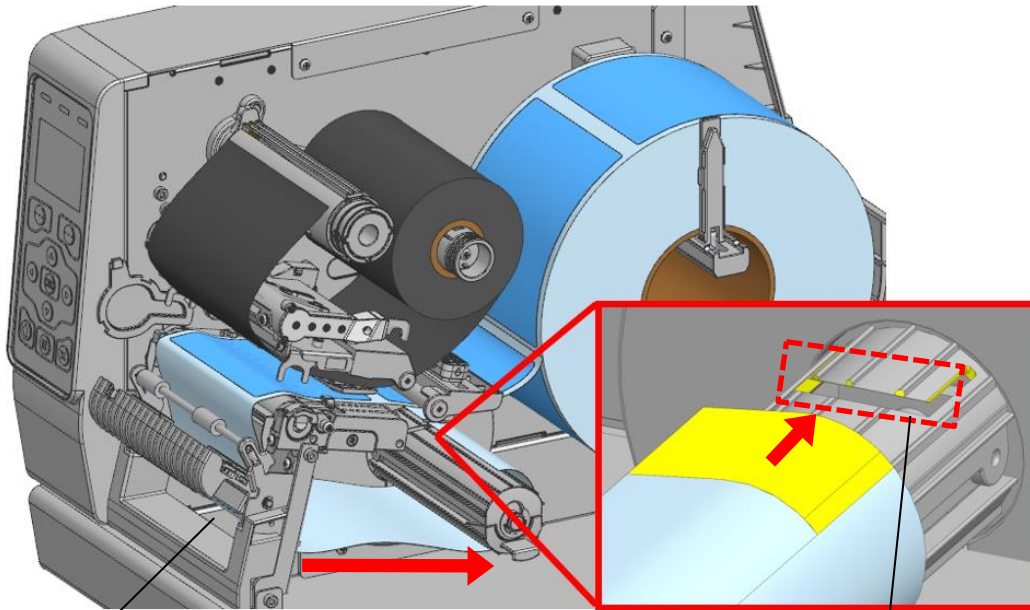
4) Move the peeler switch to ON. Please make sure that the LED has turned on.



5) Remove several sheets of label media and insert liner as in the picture.



6) After installing the media in the same way as the picture, fix the media on rewinder media guide.



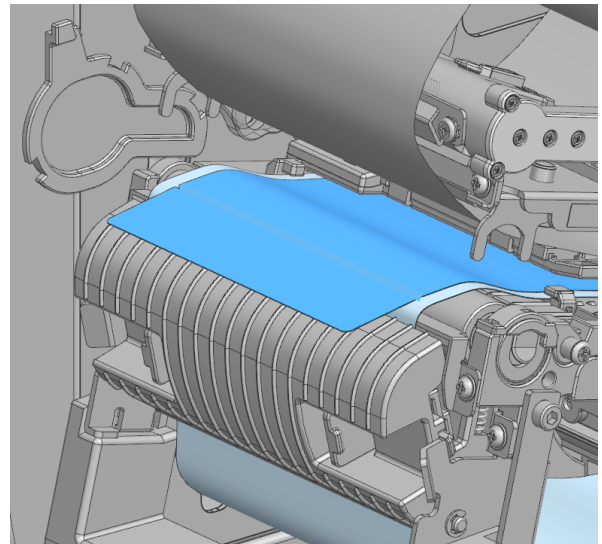
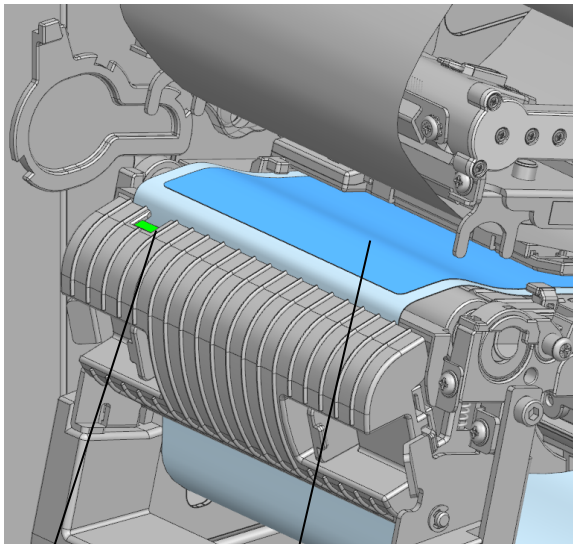
Insert Media

Rewinder Media Guide

7) Close the peeler cover until it clicks.

**(O)**

**(X)**



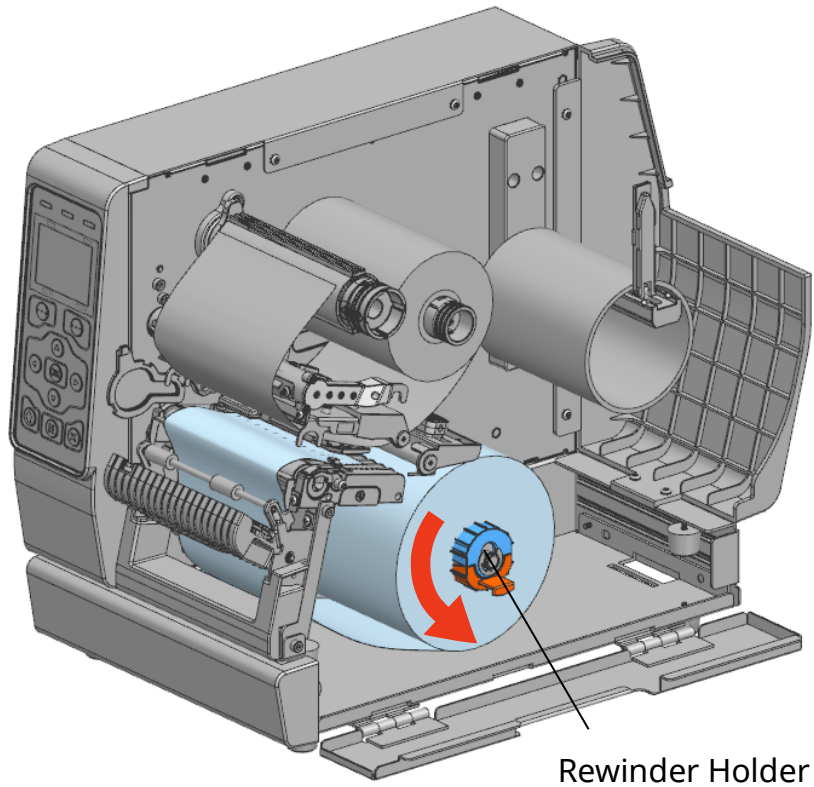
Peeler Sensor

Be careful that the media does not cover the peeler sensor

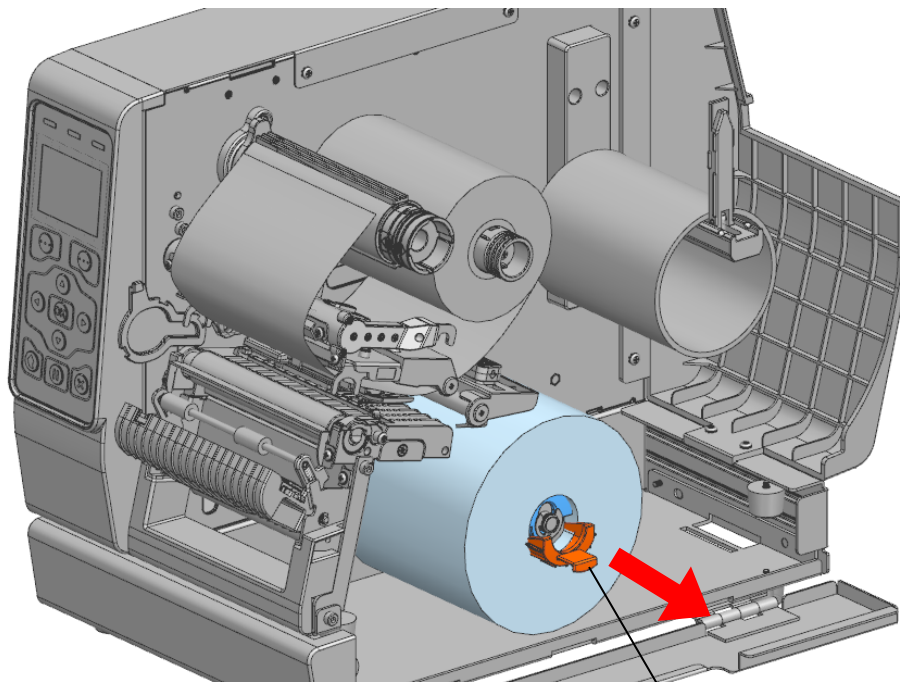
8) Close the print head lever, the rewinder cover, and the media cover.

- Media Liner Removal Method

- 1) Open the peeler cover, the media cover, the rewinder cover and the print head lever.
- 2) Rotate the rewinder holder counter-clockwise to wind the media liner.



3) Pull the Rewinder Holder Handle and remove installed media liner.



Rewinder Holder Handle



When removing the media, please work to avoid damaging the surrounding parts.



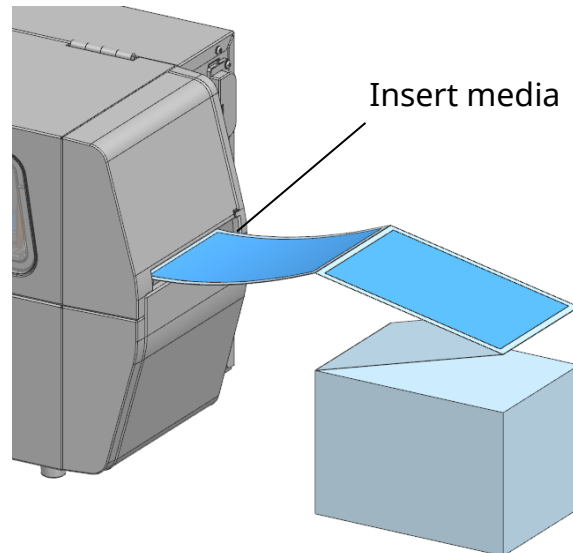
- **When opening or closing the cover, be careful not to pinch your fingers.**
- **Do not open the print head levers while the printer is printing. The printer may be damaged.**
- **Change the media when the printer is not receiving data, or data May be lost.**
- **The peeler function is only available for label media.**
- **When the peeler is switched on, the next label will not be printed unless the printed label is removed from the peeler.**
- **When the peeler is switched off, the peeler does not work.**
- **While the printer is operating, the printer head gets very hot, so turn off the power and let it cool down completely. The hot printer head can cause serious burns.**



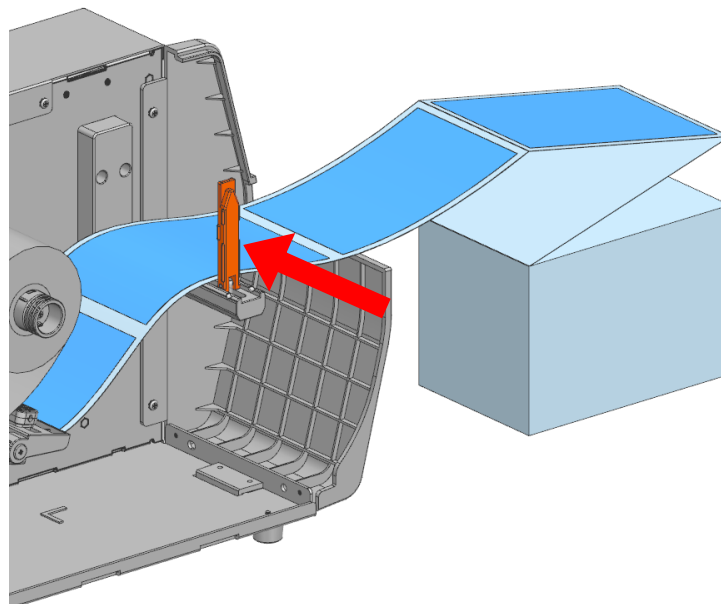
### 3-4-5 How To Install Media Externally

Install media from outside the printer as follows.

1) Insert the media through the rear access slot of the printer.



2) Adjust the media fixing guide to the media width.



3) Close the print head lever and media cover.



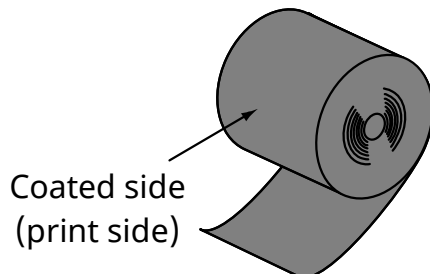
- Do not open the print head levers while the printer is printing. The printer may be damaged.
- Change the media when the printer is not receiving data, or data May be lost.

## 3-5 Ribbon Installation

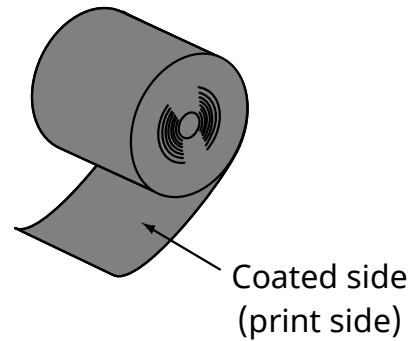
### 3-5-1 Ribbon Type

#### 1) Type by film coating position

- This printer can be used with both Outside and Inside Ribbon.



Outside Ribbon



Inside Ribbon



Perform an adhesion test to determine which side of the ribbon is coated. Follow these steps to check the coated side of the ribbon.

- 1) Remove the label from the liner.
- 2) Press one corner of the adhesive side of the label against the outside/inside of the surface of the ribbon.
- 3) Remove the label from the ribbon.
- 4) Check whether the black ink ribbon appears on the adhesive side of the label.

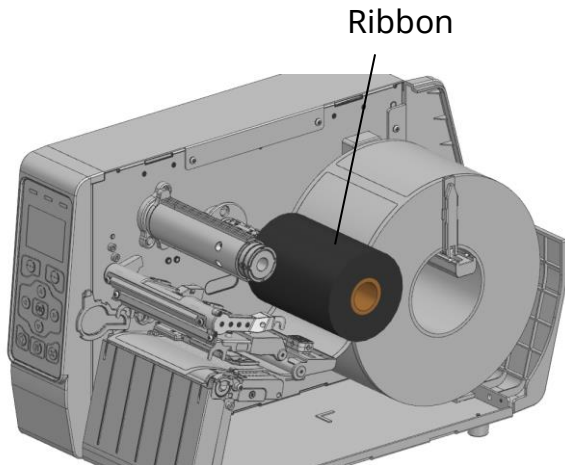
#### 2) Type by Ribbon core

- This printer can be used only with the ribbon of 1 inch ribbon core.

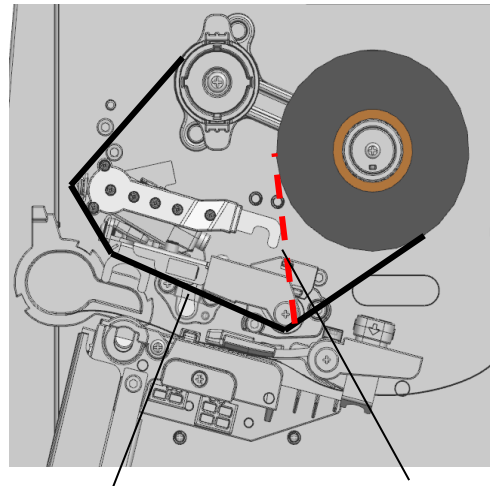
## 3-5-2 Ribbon Installation Method

Install ribbon as follows.

1) Insert the ribbon core into the ribbon take-up spindle and insert the ribbon into the ribbon supply spindle.



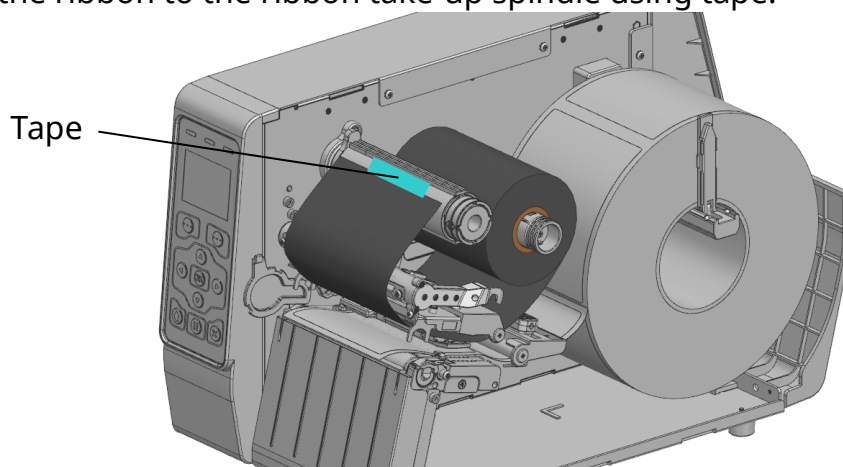
2) Open the print head lever and install the ribbon as shown below.



Outside Ribbon

Inside Ribbon

3) Attach the ribbon to the ribbon take-up spindle using tape.



4) Close the print head lever and the media cover.



- When opening or closing the cover, be careful not to pinch your fingers.
- Do not open the print head levers while the printer is printing. The printer may be damaged.
- Change the media when the printer is not receiving data, or data may be lost.
- While the printer is operating, the printer head gets very hot, so turn off the power and let it cool down completely. The hot printer head can cause serious burns.

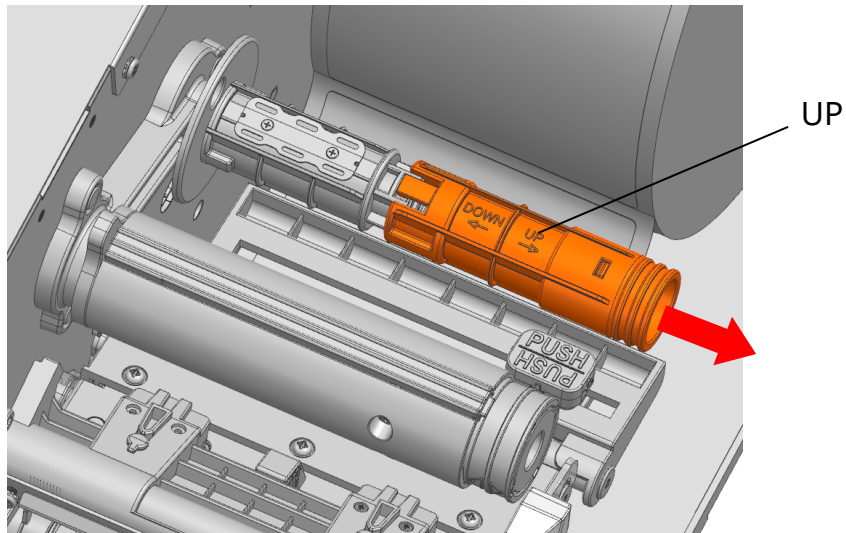


## 3-5-3 Load Adjustment by Ribbon Length

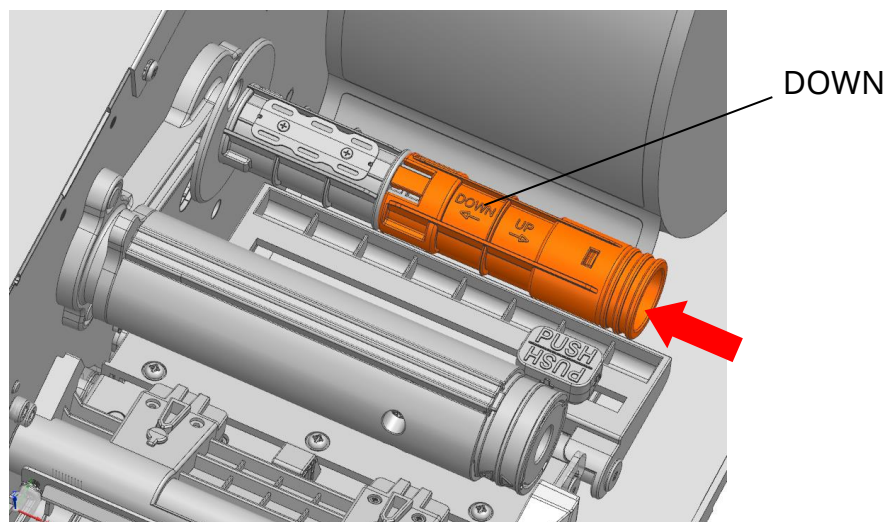
The printer can use all 1 to 4 inch wide ribbons.

Adjust the ribbon supply spindle load according to the ribbon width.

- 1) When using ribbon of 3 inch or 4 inch width, pull in the direction of UP marked on the ribbon supply spindle until it clicks. (The printer is set to 4 inch wide ribbons when shipped from the factory.)



- 2) When using ribbon of 1 inch or 2 inch width, push in the direction of DOWN marked on the ribbon supply spindle until it clicks.

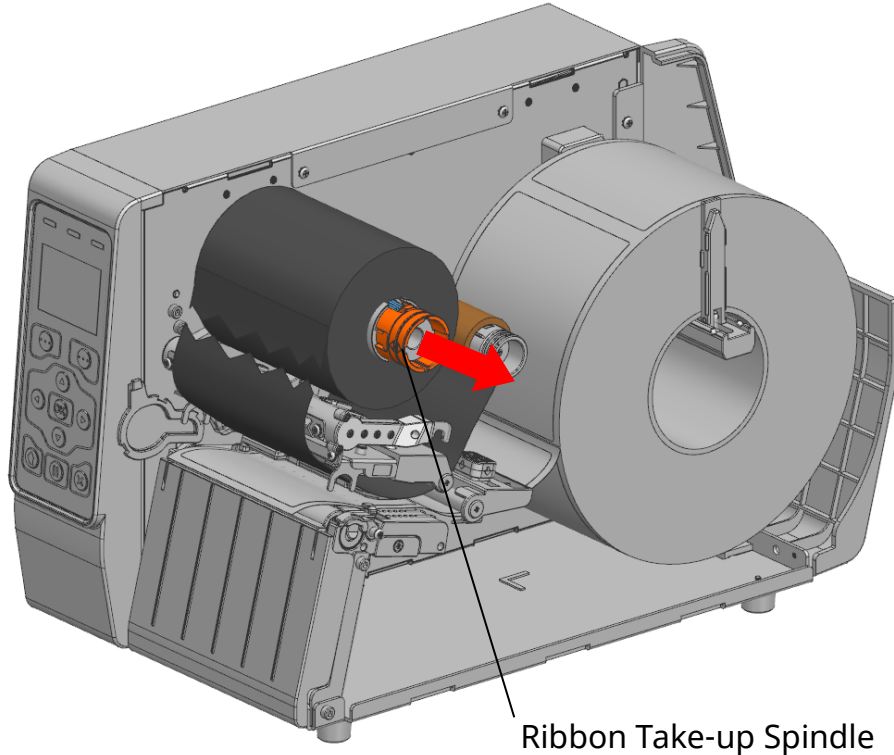


**Do not adjust the ribbon supply spindle load while the printer is printing. The printer may be damaged.**

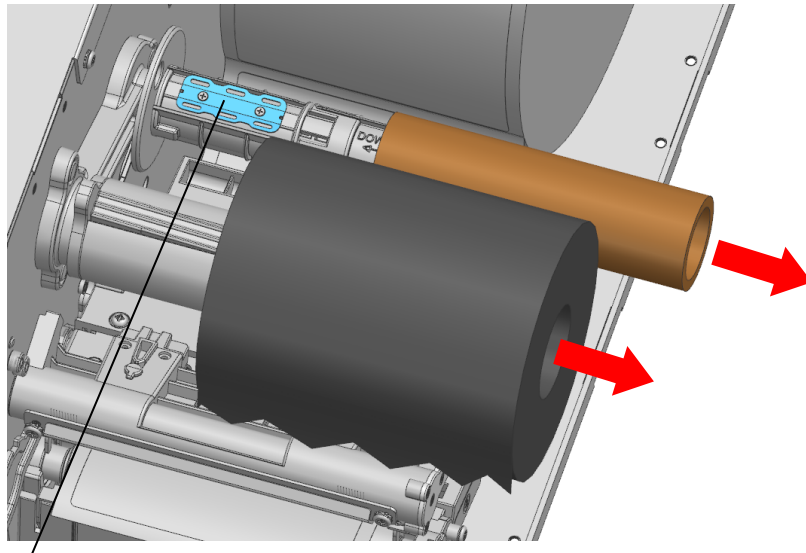
3-5-4 Ribbon Remove Method

Remove the ribbons as follows.

- 1) Open the print head lever.
- 2) Cut the Ribbon and pull the Ribbon Take-up spindle.



- 3) Remove the ribbon and ribbon core to outside.



Ribbon Core Clip



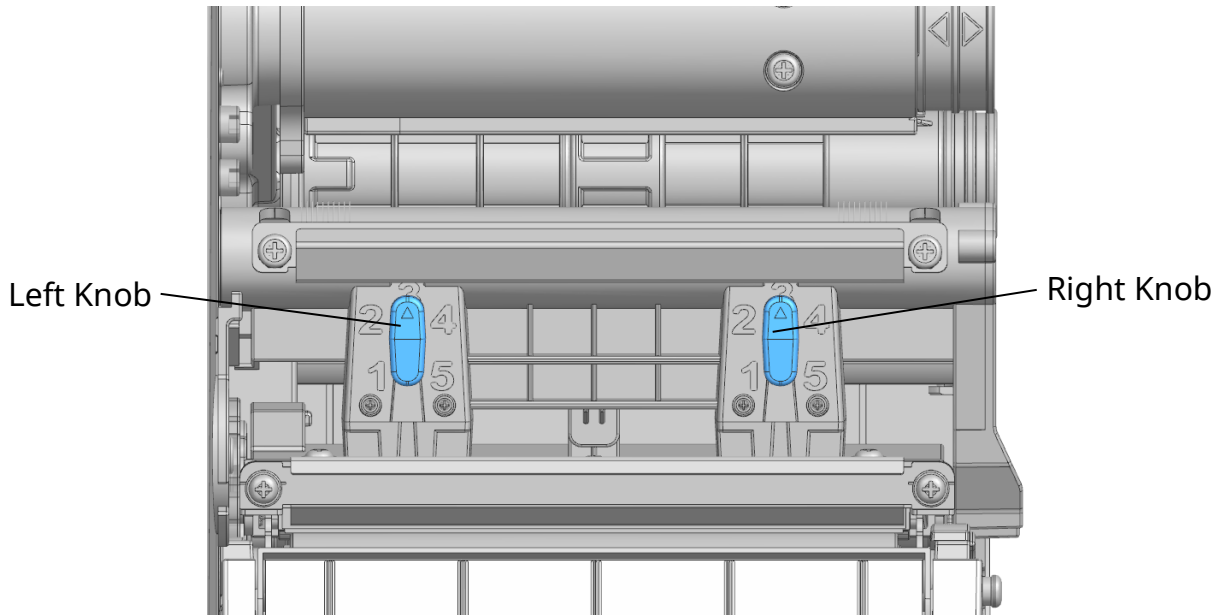
- Don't remove the ribbon and ribbon core while the printer is printing. The printer may be damaged.
- When removing ribbon and ribbon core, be careful of the sharp end of the ribbon core clip. This can cause serious bodily injury.

### 3-6 Printer Head Load Control Method

- Adjust the print head load by turning the left and right knobs depending on the media width and thickness. The left and right knobs are set to level 3 when shipped from the factory. Adjusting the print head load can improve the print quality.

※ Turning the knob toward the level 1 (counterclockwise) direction reduces the print head load and the print density.

Turning the knob toward level 5 (clockwise) increases the print head load and and the print density.



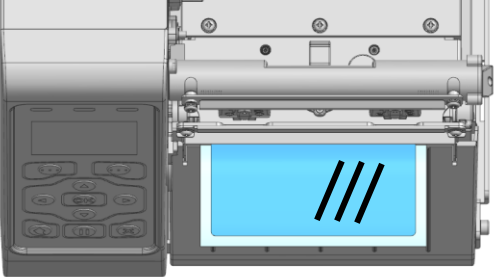
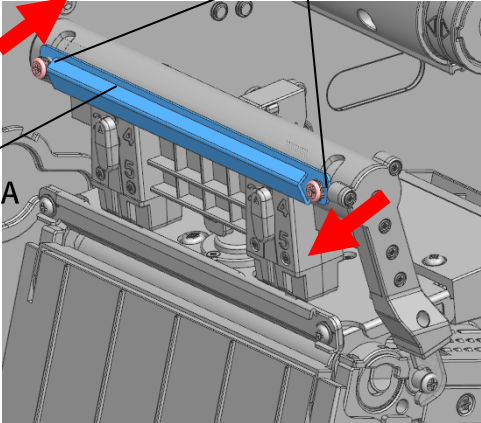
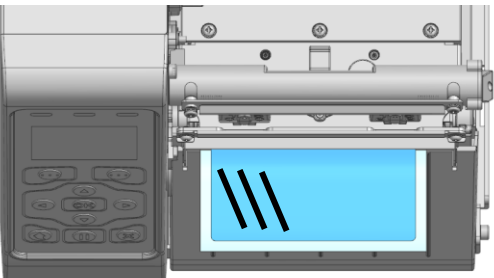
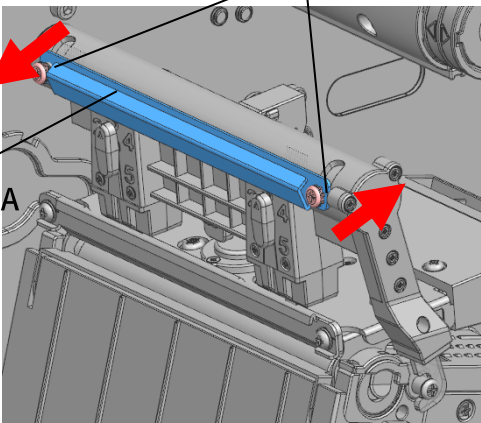
**Do not adjust knobs while the printer is printing.  
The printer may be damaged.**

## 3-7 Ribbon Guide Control Method

- Wrinkles can be improved by adjusting A and B on the ribbon guides.

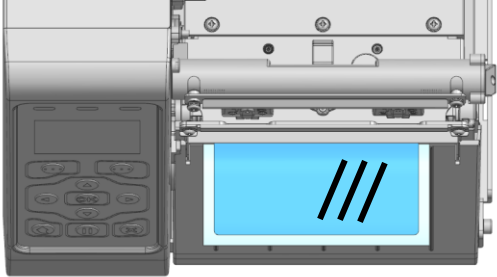
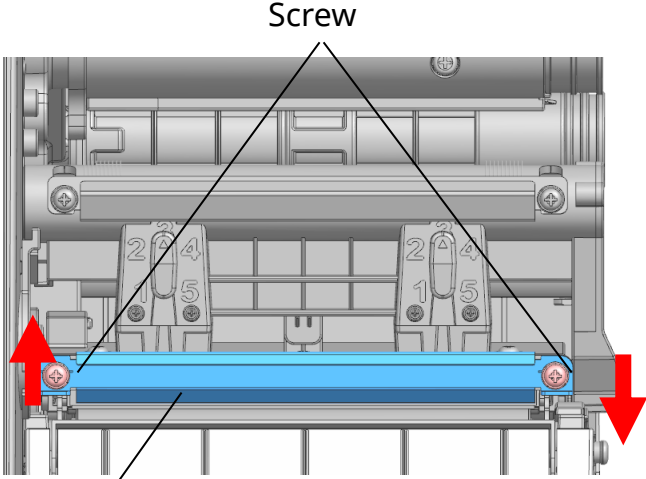
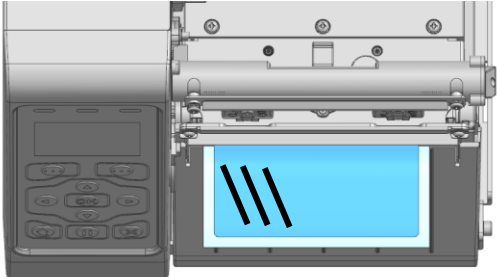
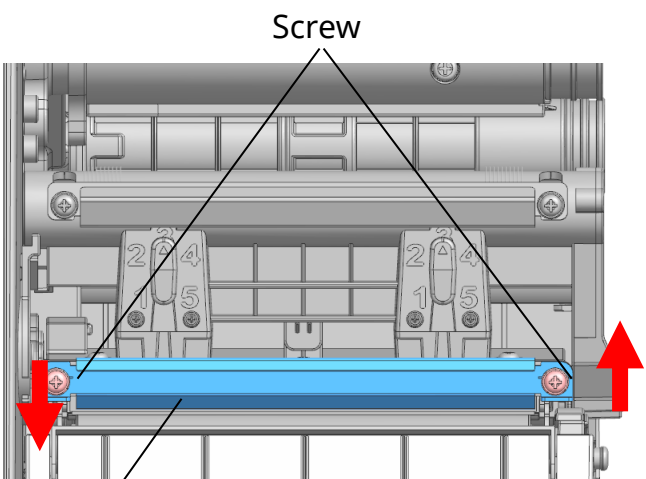
### 1) How to adjust ribbon guide A

- Slightly loosen or fasten the screw attached to the ribbon guide B using a cross-tip screwdriver to adjust it forward and backward.

Media Printing Status	Adjustment Method
 <p data-bbox="288 925 616 958">Wrinkles on the Right</p>	 <p data-bbox="730 763 943 797">Ribbon Guide A</p> <p data-bbox="1190 521 1278 555">Screw</p> <ol data-bbox="740 1021 1417 1099" style="list-style-type: none"><li>1) Slightly loosen the screw on the right side.</li><li>2) Slightly fasten the screw on the left side.</li></ol>
 <p data-bbox="288 1563 616 1597">Wrinkles on the Left</p>	 <p data-bbox="730 1402 943 1435">Ribbon Guide A</p> <p data-bbox="1206 1160 1294 1193">Screw</p> <ol data-bbox="740 1659 1417 1738" style="list-style-type: none"><li>1) Slightly fasten the screw on the right side.</li><li>2) Slightly loosen the screw on the left side.</li></ol>

## 2) How to adjust ribbon guide B

- Slightly loosen the screws fastened to the ribbon guide A using a cross-tip screwdriver to adjust it up and down.


Media Printing Status	Adjustment Method
 <p data-bbox="272 786 600 824">Wrinkles on the Right</p>	 <p data-bbox="735 882 954 913">Ribbon Guide B</p> <ol data-bbox="735 936 1417 1016" style="list-style-type: none"><li>1) Lower the right side of the ribbon guide B.</li><li>2) Higher the left side of the ribbon guide B.</li></ol>
 <p data-bbox="296 1480 603 1518">Wrinkles on the Left</p>	 <p data-bbox="735 1572 954 1603">Ribbon Guide B</p> <ol data-bbox="735 1626 1430 1706" style="list-style-type: none"><li>1) Higher the right side of the ribbon guide B.</li><li>2) Lower the left side of the ribbon guide B.</li></ol>




**Do not adjust ribbon guide while the printer is printing.  
The printer may be damaged.**

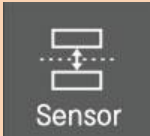
## 4. Setting

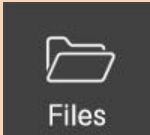
### 4-1 Menu Composition


 Setting	Explanation	
	Print Width	
	Print Length	
	Print Direction	
	Print Speed	
	Print Density	
	Print Method	
	Media Type	
	Tear Off	
	Print Offset	
	Left Position	
	Print Mode	
	Power Up Action	
	Print Head Close	


 Interface	Explanation	
	Serial	Baud Rate
		Data Bits
		Parity
		Stop Bit
		Host Handshake
	Ethernet	IP Protocol
		IP Address
		Subnet Mask
		Gateway
		MAC Address

	WLAN	Channel		
		Network		
		ESSID (APID)		
		Auth (Authentication)		
		Encrypt (Encryption)		
		WEP Password		
		PSK Password		
		IP Protocol		
		IP Address		
		Subnet Mask		
		Gateway		
		SWC (Simple Wi-Fi Connect)		Execute SWC
			Print App URL	
	Bluetooth	Device Name		
		Pairing	Pincode	
			SSP(Secure Simple Pairing)	
		MAC Address		
		Mode	Bluetooth Low Energy	
			Standard Mode	Connect Mode Auth&Enc (Authentication & Encryption)
	Interface Info			

	Explanation	
	Gap Calibration	
	Black Mark Calibration	
	Sensor Sensitivity	

	Explanation	
	Saved File	Template
		Image
		Download Font
		E Drive (Flash Memory)
		A Drive (USB Memory)
	Twin Function	Printer Setting
		Template
		Image
		Download Font
	Firmware Update	

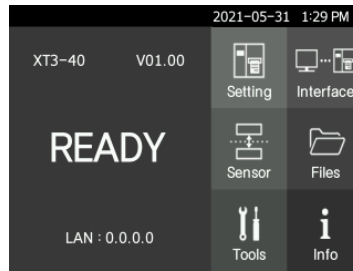
		Explanation
 <p>Tools</p>	Self Test	
	Factory Reset	
	Dump Mode	
	Print Head Check	
	LCD	Dead Pixel Test
		Backlight Brightness
	Real Time Clock	Date Setting
		Time Setting
		Date Format
		Time Format
	Language Setting	
	Emulation	
	USB Serial Number	
	Buzzer Setting	
	Security	Password Enable
		Password Setting
Demo Print		

		Explanation
 <p>Info</p>	Printer Info	
	Installation & Usage	Media Installation
		Media Installation (Peel Off)
		Media Installation (Rewinder)
		Ribbon Installation
		Peel off Installation
		Auto Cutter Installation
		Replace Media
		Replace Ribbon
	Replace Print Head	
	Troubleshooting	
	Contact US	



## 4-2 Menu Select Method

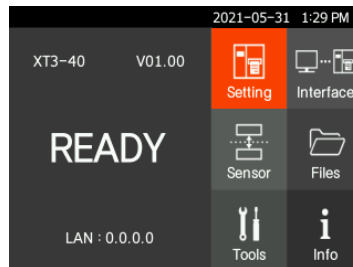
1) This is print ready status LCD output screen.



2) Press function button, direction button or OK button.



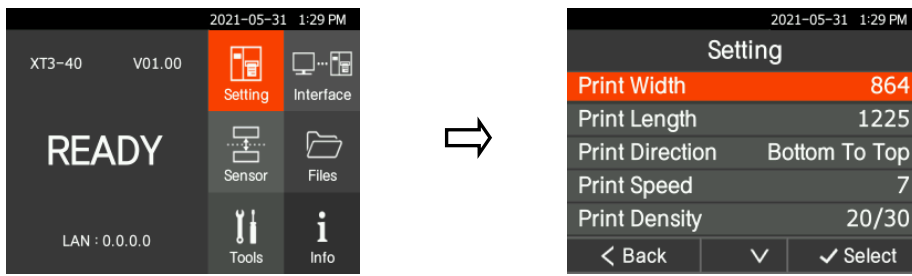
3) The setting menu is selected.



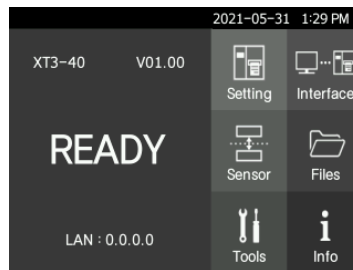
4) Use direction buttons to move to the desired menu.



5) Press OK or the right function button to enter the sub menu.





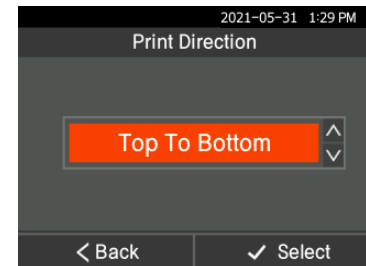
6) If there are no input for 5 seconds, it returns to main screen






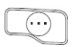

## 4-3 Setting Confirm Method

### 1) How to use the up and down buttons

- (1) Select the desired setting value using ▲ or ▼ button
- (2) After selecting the setting value, save it with  button
- (3) If you want to exit the menu without setting, press  button to move to the previous screen





### 2) How to input numbers

- (1) Select the desired input value using ▲, ▼, ◀, ▶ button
- (2) Enter the desired value using  button
- (3) With , you can delete the input value
- (4) With , you can move the cursor
- (5) After entering set value, save it using  button
- (6) If you want to exit the menu without setting, press  button to move to the previous screen






### 3) How to input characters


(1) Select the desired input value using , , ,  button


(2) Enter the desired value using  button


(3) With , you can delete the input value


(4) With  , you can move the cursor

(5) With , you can move to the numeric input screen

(6) With , you can move to the symbol input screen

(7) With , you can move to lower case input screen

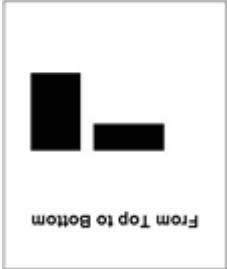
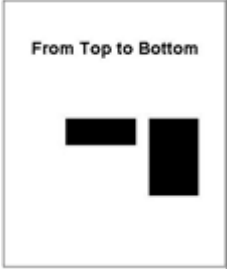
(8) After entering set value, save it using  button

(9) If you want to exit the menu without setting,  
press  button to move to the previous screen



**4-4 Setting Menu Explanation**

List	Explanation
<b>Print Width</b>	<b>Explanation</b> Setting media width[dots] Function to adjust image buffer size according to print width  <b>Default Value</b> 203dpi: 864dots 300dpi: 1248dots  <b>Maximum Value</b> 203dpi: 864dots 300dpi: 1,248dots
<b>Print Length</b>	<b>Explanation</b> Setting media length[dots] Function to adjust image buffer size according to print length  <b>Default Value</b> 203dpi: 1,225dot (153mm) 300dpi: 1,811dot (150mm)  <b>Maximum Value</b> 203dpi: 32,000dot (4,000mm) 300dpi: 24,000dot (2,000mm)

<p><b>Print Direction</b></p>	<p><b>Explanation</b>          Setting printing direction          Top to bottom: Printing from top to bottom          Bottom to Top: Printing from bottom to top</p> <p><b>Default Value</b>          Bottom to Top</p> <p><b>Variable Value</b>          Bottom to Top, Top to Bottom</p> <p style="text-align: center;"><b>Printing Direction</b></p> <div style="display: flex; justify-content: space-around; align-items: center;"> <div style="text-align: center;">  <p>Top to bottom</p> </div> <div style="font-size: 2em; margin: 0 20px;">↓</div> <div style="text-align: center;">  <p>Bottom to top</p> </div> </div>
<p><b>Print Speed</b></p>	<p><b>Explanation</b>          Setting print speed[ips]</p> <p><b>Default Value</b>          203dpi: 7ips          300dpi: 5ips</p> <p><b>Variable Value</b>          203dpi: 3 ~ 8ips          300dpi: 2 ~ 6ips</p>
<p><b>Print Density</b></p>	<p><b>Explanation</b>          Setting print density</p> <p><b>Default Value</b>          203dpi: 20          300dpi: 20</p> <p><b>Variable Value</b>          0 ~ 30</p>

<b>Print Method</b>	<b>Explanation</b> Setting print method <b>Default Value</b> Transfer <b>Variable Value</b> Transfer, Direct
<b>Media Type</b>	<b>Explanation</b> Setting media type <b>Default Value</b> Gap <b>Variable Value</b> Gap, Black Mark, Continuous
<b>Tear Off</b>	<b>Explanation</b> Setting media position[dots] for tear off after printing or feed <b>Default Value</b> 0 <b>Variable Value</b> -100 ~ 100
<b>Print Offset</b>	<b>Explanation</b> Setting top print position[dots] <b>Default Value</b> 0 <b>Variable Value</b> -100 ~ 100
<b>Left Position</b>	<b>Explanation</b> Setting left print position[2dots] <b>Default Value</b> 0 <b>Variable Value</b> -300 ~ 300
<b>Print Mode</b>	<b>Explanation</b> Setting print mode suitable to the printer option <b>Default Value</b>

	<p>Tear Off</p> <p><b>Variable Value</b> Tear Off, Auto Cutter, Rewinder</p>
<b>Power Up Action</b>	<p><b>Explanation</b> Setting the action for the printer after the power-up sequence.</p> <p><b>Default Value</b> No Feed</p> <p><b>Variable Value</b> No Feed, Set Label Length, Media Calibration, Feed</p>
<b>Print Head Close</b>	<p><b>Explanation</b> Setting the action for the printer when you close the print head</p> <p><b>Default Value</b> Feed</p> <p><b>Variable Value</b> Feed, Standby Mode, No Feed, Set Label Length, Media Calibration</p>



**4-5 Interface Menu Explanation****4-5-1 Serial**

List	Explanation
<b>Baud Rate</b>	<p><b>Explanation</b> Setting the baud rate</p> <p><b>Default Value</b> 115200</p> <p><b>Variable Value</b> 9600,19200,38400,57600,115200</p>
<b>Data Bits</b>	<p><b>Explanation</b> Setting the data bit</p> <p><b>Default Value</b> 8</p> <p><b>Variable Value</b> 7, 8</p>
<b>Parity</b>	<p><b>Explanation</b> Setting the parity</p> <p><b>Default Value</b> None</p> <p><b>Variable Value</b> None, Odd, Even</p>
<b>Stop Bit</b>	<p><b>Explanation</b> Setting the stop bit</p> <p><b>Default Value</b> 1</p> <p><b>Variable Value</b> 1, 2</p>
<b>Host Handshake</b>	<p><b>Explanation</b> Setting the handshake</p> <p><b>Default Value</b> RTS_CTS</p> <p><b>Variable Value</b> RTS_CTS, DTR_DSR, XON_XOFF</p>

4-5-2 Ethernet

List	Explanation
<b>IP Protocol</b>	<p><b>Explanation</b> Setting IP assignment method</p> <p><b>Default Value</b> DHCP</p> <p><b>Variable Value</b> DHCP, Static IP</p>
<b>IP Address</b>	<p><b>Explanation</b> Setting IP Address method</p> <p><b>Default Value</b> Static IP: 192.168.192.123 DHCP: 0.0.0.0</p> <p><b>Variable Value</b> 0 ~ 255</p>
<b>Subnet Mask</b>	<p><b>Explanation</b> Setting subnet mask</p> <p><b>Default Value</b> Static IP: 255.255.255.0 DHCP: 0.0.0.0</p> <p><b>Variable Value</b> 0 ~ 255</p>
<b>Gateway</b>	<p><b>Explanation</b> Setting gateway</p> <p><b>Default Value</b> Static IP: 192.168.192.254 DHCP: 0.0.0.0</p> <p><b>Variable Value</b> 0 ~ 255</p>
<b>MAC Address</b>	<p><b>Explanation</b> Indicating MAC address</p>

4-5-3 WLAN

List	Explanation
<b>Channel</b>	<p><b>Explanation</b> Setting channel when creating Adhoc network</p> <p><b>Default Value</b> 6</p> <p><b>Variable Value</b> 1 ~ 14</p>
<b>Network</b>	<p><b>Explanation</b> Setting WLAN operation mode</p> <p><b>Default Value</b> Soft AP</p> <p><b>Variable Value</b> Soft AP, Infrastructure, Adhoc, P2P</p>
<b>ESSID</b>	<p><b>Explanation</b> Setting the ID of AP to be accessed</p> <p><b>Default Value</b> PRINTER_xxxxxx(product specific value)</p>
<b>Auth</b>	<p><b>Explanation</b> Setting WLAN authentication method</p> <p><b>Default Value</b> Open System</p> <p><b>Variable Value</b> Open System, Shared Key, WPA1PSK, WPA2PSK, WPA1EAP, WPA2EAP</p>
<b>Encrypt</b>	<p><b>Explanation</b> Setting WLAN encryption method</p> <p><b>Default Value</b> None</p> <p><b>Variable Value</b> None, WEP64/128, TKIP, AES, AES+TKIP</p>
<b>WEP Password</b>	<p><b>Explanation</b> Setting WEP password</p>

<b>PSK Password</b>	<p><b>Explanation</b> Setting PSK password</p>	
<b>IP Protocol</b>	<p><b>Explanation</b> Setting IP assignment method</p> <p><b>Default Value</b> DHCP</p> <p><b>Variable Value</b> Static IP, DHCP</p>	
<b>IP Address</b>	<p><b>Explanation</b> Setting IP address</p> <p><b>Default Value</b> Static IP: 192.168.1.1 DHCP: 0.0.0.0</p> <p><b>Variable Value</b> 0 ~ 255</p>	
<b>Subnet Mask</b>	<p><b>Explanation</b> Setting subnet mask</p> <p><b>Default Value</b> Static IP: 255.255.255.0 DHCP: 0.0.0.0</p> <p><b>Variable Value</b> 0 ~ 255</p>	
<b>Gateway</b>	<p><b>Explanation</b> Setting gateway</p> <p><b>Default Value</b> Static IP: 192.168.1.254 DHCP: 0.0.0.0</p> <p><b>Variable Value</b> 0 ~ 255</p>	
<b>SWC</b>	<b>Execute SWC</b>	<p><b>Explanation</b> Connecting printers to network environments using SWC(Simple Wi-Fi Connect) mode</p>
	<b>Print App URL</b>	<p><b>Explanation</b> Site linking(QR code) for SWC technical support</p>

4-5-4 Bluetooth

List		Explanation
<b>Device Name</b>		<b>Explanation</b> Name of Device
<b>Pairing</b>	<b>Pincode</b>	<b>Explanation</b> Changes required pin code to connect
	<b>SSP</b>	<b>Explanation</b> Secures simple pairing  <b>Default Value</b> Disable  <b>Variable Value</b> Disable, Just Works, Numeric Comparison, Passkey Entry
<b>MAC Address</b>		<b>Explanation</b> Bluetooth device MAC address
<b>Mode</b>	<b>Bluetooth Low Energy</b>	
	<b>Explanation</b> Bluetooth Low Energy  <b>Default Value</b> Disable  <b>Variable Value</b> Disable, Enable	
	<b>Standard Mode</b>	<b>Connect Mode</b>
<b>Auth&amp;Enc</b>		<b>Explanation</b> Setting Bluetooth authentication and encryption function  <b>Default Value</b> Enable  <b>Variable Value</b> Enable, Disable

**4-6 Sensor Menu Explanation**

List	Explanation
<b>Gap Calibration</b>	<b>Explanation</b> Detect media gap and calibrate automatically
<b>Black Mark Calibration</b>	<b>Explanation</b> Detect media black mark and calibrate automatically
<b>Sensor Sensitivity</b>	<b>Explanation</b> Adjusts the sensitivity of the gap sensor  <b>Default Value</b> 70  <b>Variable Value</b> 10 ~ 100



Depending on the characteristics of the media, the amount of media output may be different during gap / black mark calibration.

**4-7 Files Menu Explanation**

List	Explanation		
<b>Files</b>	<b>Saved File</b>	Template	<b>Refer</b> 4-7-1 Saved File
		Image	
		Download Fonts	
		E Drive (Flash Memory)	
		A Drive (USB Memory )	
	<b>Twin Function</b>	Printer Setting	<b>Refer</b> 4-7-2 Twin Function
		Template	
		Image	
		Download Fonts	
	<b>FirmWare Update</b>		<b>Refer</b> 4-7-3 F/W Update

4-7-1 Saved File

Displays the list of object files stored in the printer on the LCD screen.

List	Explanation
<b>Template</b>	Template list stored in the printer
<b>Image</b>	Image list stored in the printer (*.pcx)
<b>Download Font</b>	Download font list stored in the printer
<b>E Drive (Flash Memory)</b>	Saved object files in E drive
<b>A Drive (USB Memory)</b>	Saved object files in A drive



## 4-7-2 Twin Function

Saves the current printer settings, save files (templates, images, download fonts) to another printer using USB, or loads the settings of another printer and saves files to the current printer.

List	Explanation
<b>Printer Setting</b>	<b>Explanation</b> Saves printer settings to a USB storage device, or loads the print settings from USB storage. <b>File path</b> F:\configuration
<b>Template</b>	<b>Explanation</b> Saves template file to a USB storage device, or load the template from USB storage. <b>File path</b> F:\ USER_AREA_TEMPLATES
<b>Image</b>	<b>Explanation</b> Saves image file to a USB storage device, or load the image from USB storage (*.pcx) <b>File path</b> F:\ USER_AREA_PCXImages
<b>Download Font</b>	<b>Explanation</b> Saves download font file to a USB storage device, or load the download font from USB storage. <b>File path</b> F:\ USER_AREA_FONTS

List	Explanation
<b>Printer Setting</b>	<p><b>Explanation</b> Saves printer settings to a USB storage device, or loads the print settings from USB storage.</p> <p><b>File path</b> F:\configuration</p> <ul style="list-style-type: none"><li>• <b>Save Function Explanation</b><ul style="list-style-type: none"><li>- Connect a USB storage to the printer.</li><li>- Select Save on the menu using the up and down buttons.</li><li>- The printer_config file is created in the configuration folder of USB storage device. (The configuration folder is automatically created)</li></ul></li><li>• <b>Load Function Explanation</b><ul style="list-style-type: none"><li>- Check whether the printer_config file exists in the configuration folder of the USB storage device. (If there is no file, save the printer settings first.)</li><li>- Connect the USB storage to the printer.</li><li>- Select Load from the Printer Setup menu using the up and down buttons.</li><li>- Loading message is displayed while loading, and when loading is completed, USB loading completion message is displayed.</li><li>- Check the change of the printer's settings.</li></ul></li></ul>

List	Explanation
<b>Template</b>	<p><b>Explanation</b> Saves template file to a USB storage device, or load the template from USB storage.</p> <p><b>File path</b> F:\ USER_AREA_TEMPLATES</p> <p>• <b>Save Function Explanation</b></p> <ul style="list-style-type: none"><li>- Connect a USB storage to the printer.</li><li>- Select Save on the menu using the up and down buttons.</li><li>- Template files are stored in the USER_AREA_TEMPLATES folder of USB storage device. (USER_AREA_TEMPLATES folder is automatically created)</li></ul> <p>• <b>Load Function Explanation</b></p> <ul style="list-style-type: none"><li>- Check whether a template file exists in the USER_AREA_TEMPLATES folder of the USB storage device. (If the file does not exist, create a USER_AREA_TEMPLATES folder and save the template file to be copied to the printer below first)</li><li>- Connect the USB storage to the printer.</li><li>- Select Load from the Printer Setup menu using the up and down buttons.</li><li>- Loading message is displayed while loading, and when loading is completed, USB loading completion message is displayed.</li><li>- Go to Save File menu then, check the template file is normally saved to the printer.</li></ul>

List	Explanation
<b>Image</b>	<p><b>Explanation</b> Saves image file to a USB storage device, or load the image from USB storage (*.pcx)</p> <p><b>File path</b> F:\ USER_AREA_PCXImages</p> <p>• <b>Save Function Explanation</b></p> <ul style="list-style-type: none"><li>- Connect a USB storage to the printer.</li><li>- Select Save on the menu using the up and down buttons.</li><li>- Image files are stored in the USER_AREA_PCXImages folder of USB storage device. (USER_AREA_PCXImages folder is automatically created)</li></ul> <p>• <b>Load Function Explanation</b></p> <ul style="list-style-type: none"><li>- Check whether the image file exists in the USER_AREA_PCXImages folder of the USB storage device. (If there is no file, create the USER_AREA_PCXImages folder and save the image file to be copied to the printer below first.)</li><li>- Connect the USB storage to the printer.</li><li>- Select Load from the Printer Setup menu using the up and down buttons.</li><li>- Loading message is displayed while loading, and when loading is completed, USB loading completion message is displayed.</li><li>- Go to Save File menu then, check the image file is normally saved to the printer.</li></ul>

List	Explanation
<b>Download Font</b>	<p><b>Explanation</b> Saves download font file to a USB storage device, or load the download font from USB storage.</p> <p><b>File path</b> F:\ USER_AREA_FONTS</p> <ul style="list-style-type: none"><li>• <b>Save Function Explanation</b><ul style="list-style-type: none"><li>- Connect a USB storage to the printer.</li><li>- Select Save on the menu using the up and down buttons.</li><li>- Download Font files are stored in the USER_AREA_FONTS folder of USB storage device. (USER_AREA_FONTS folder is automatically created)</li></ul></li><li>• <b>Load Function Explanation</b><ul style="list-style-type: none"><li>- Check if the downloaded font file exists in the USER_AREA_FONTS folder of the USB storage device. (If there is no file, create the USER_AREA_FONTS folder and save the download font file to be copied to the printer below first.)</li><li>- Connect the USB storage to the printer.</li><li>- Select Load from the Printer Setup menu using the up and down buttons.</li><li>- Loading message is displayed while loading, and when loading is completed, USB loading completion message is displayed.</li><li>- Go to Save File menu then, check the download font file is normally saved to the printer.</li></ul></li></ul>

4-7-3 Firmware Update

Firmware can be updated through USB storage.

<b>FirmWare Update</b>	<p><b>Explanation</b> Printer firmware update available using the USB storage directly without any communication.</p> <p><b>File path</b> F:\ FW_DOWNLOAD</p> <p><b>File name</b> "XT3-4x_Vxx.xx_STD_mmddyy.flr" in F:\ FW_DOWNLOAD folder. ( 203dpi : x is 0 / 300dpi : x is 3)</p> <p><b>• Download process explanation</b></p> <ul style="list-style-type: none"><li>- Check firmware file(*.flr) is in FW_DOWNLOAD folder of USB storage. (If there is no folder, please create FW_DOWNLOAD folder and save the firmware file (* .flr) to it.)</li><li>- Connect USB storage to the printer.</li><li>- Select "F/W Update" from the "Files" menu.</li><li>- Select the firmware download menu.</li><li>- If the message "F/W Downloading" is displayed, the firmware download has started normally.</li><li>- When the firmware download is completed successfully, the message "Printer Restart" is displayed and the rebooting process is automatically performed.</li></ul>
------------------------	--

**4-8 Tools Menu Explanation**

List		Explanation
<b>Self Test</b>		<b>Explanation</b> Prints for self-test
<b>Factory Reset</b>		<b>Explanation</b> Initializes the printer settings to factory default
<b>Dump Mode</b>		<b>Explanation</b> Diagnoses communication status when printing is not normal  <b>Default Value</b> Disable  <b>Variable Value</b> Disable, Enable
<b>Print Head Check</b>		<b>Explanation</b> Dot-out check of head through printing
<b>LCD</b>	<b>Dead Pixel Test</b>	<b>Explanation</b> LCD pixel test function
	<b>Backlight Brightness</b>	<b>Explanation</b> Setting backlight brightness  <b>Default Value</b> 70  <b>Variable Value</b> 10 ~ 100
<b>Real Time Clock</b>		<b>Explanation</b> Setting RTC date and time Setting RTC date and time format  <b>Date format</b> YYYY-MM-DD, YYYY/MM/DD, MM-DD-YYYY, MM/DD/YYYY, DD-MM-YYYY, DD/MM/YYYY  <b>Time format</b> 12H, 24H

<b>Language Setting</b>	<b>Explanation</b> Setting language to be displayed on the LCD  <b>Default Value</b> English  <b>Variable Value</b> English, Korean, German, French, Spanish
<b>Emulation</b>	<b>Explanation</b> Setting printer emulation  <b>Default Value</b> AUTO  <b>Variable Value</b> AUTO(SLCS, BPL-Z, BPL-E)
<b>USB Serial Number</b>	<b>Explanation</b> Checks USB serial number
<b>Buzzer Setting</b>	<b>Explanation</b> Setting beep on / off  <b>Default Value</b> Enable  <b>Variable Value</b> Enable, Disable
<b>Security</b>	<b>Explanation</b> Setting a password to restrict printer settings  <b>Default Value</b> Disable  <b>Variable Value</b> Disable, Enable
<b>Demo Print</b>	<b>Explanation</b> Demo format output function



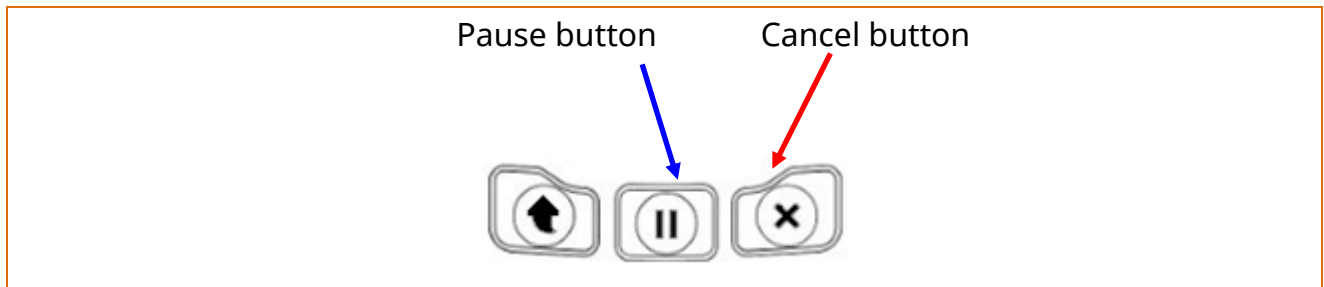
**4-9 Info Menu Explanation**

List	Explanation
<b>Printer Info</b>	<b>Explanation</b> Checking the printer usage information
<b>Installation &amp; Usage</b>	<b>Explanation</b> Site linking(QR code) for installation and usage instructions
<b>Troubleshooting</b>	<b>Explanation</b> Site linking(QR code) for troubleshooting
<b>Contact US</b>	<b>Explanation</b> Site linking(QR code) for technical support

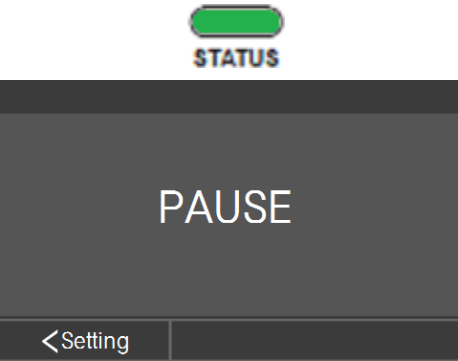


## 5. Detailed Features

### 5-1 Pause/Cancel

- During multiple-page print jobs, the Pause and Cancel button can be used to pause printing and cancel the print job altogether, respectively.



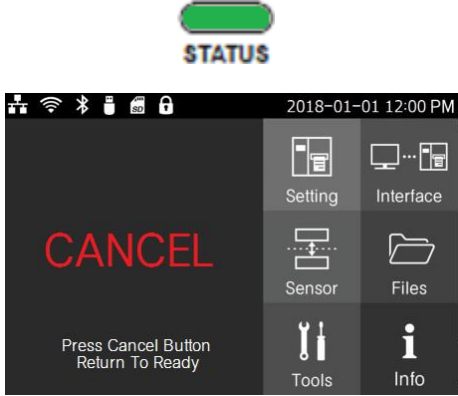


#### 5-1-1 Pause/Resume Function

	<ol style="list-style-type: none"><li>1) When printing, press the Pause button(  ).</li><li>2) The printer will pause after finishing the current media printing and the status of LED, LCD will be as follows.<ul style="list-style-type: none"><li>- Status LED: Green Blink</li><li>- Status LCD: PAUSE</li></ul></li><li>3) While the print job is paused press the Pause button(  ) again to resume printing.</li></ol>
---	--

### 5-1-2 Print Cancellation

The following processes occur in the print cancellation mode.


- All label printing cancelled
- All data received in the printer communications buffer deleted.
- All received data deleted.

	<ol style="list-style-type: none"><li>1) During printing and/or pause mode, press the Cancel button(  ) enters the print cancellation mode.</li><li>2) The LCD Status in the print cancellation mode can be as follows.<ul style="list-style-type: none"><li>- STATUS LED: Green Blink</li><li>- LCD: Press CANCEL</li></ul></li><li>3) While in the print cancellation mode, press the Cancel button(  ) again to return to print ready mode.</li></ol>
---	--



Contact the authorized dealer if the printer does not execute pause/resume function.

### **5-2 Smart Media Detection**

- Media with gap and black mark can be identified without additional settings.
- 3~5 pages of media will be used depending on the types of media.
- Smart Media Detection function is executed in the followings cases
  - When the printer is installed first time, it is executed by pressing Feed button(  )
  - If the printer is installed first time, printer command will execute Smart Media Detection.
  - When change of media length or type is detected during feeding or printing.
  - When the different media type command is entered from the configured media type.
  - After factory reset.





If smart media detection fails, please proceed gap or B/M sensor auto-calibration accordingly

### **5-3 Gap Sensor Auto Calibration Mode**

- Gap sensor auto calibration mode is used when the printer does not detect a gap on the media correctly.

Generally a printer is set to detect most types of gap but sometimes it fails to detect and keep feeding the media without a stop when special media used. In such case, use gap sensor auto calibration mode function for a proper detection.

- 1) Make sure that media roll has been installed properly.
- 2) In print ready mode the setting menu and move to Sensor → Gap Calibration and press  or  button to process gap sensor auto calibration  
\* Please refer Tools Menu Explanation (4-1) for more information.





Contact the customer center if the printer does not execute gap sensor auto calibration mode function.

### **5-4 Black Mark Sensor Auto Calibration Mode**

- Black mark sensor auto calibration mode is used when the printer does not detect a black mark on the media correctly.

Generally a printer is set to detect most types of black mark but sometimes it fails to detect and keep feeding the media without a stop when special media used. In such case, use black mark sensor auto calibration mode function for a proper detection.

- 1) Make sure that media roll has been installed properly.
- 2) In print ready mode the setting menu and move to Sensor → Black Mark Calibration and press  or  button to process black mark sensor auto calibration  
\* Please refer Tools Menu Explanation (4-1) for more information.



Contact the customer center if the printer does not execute black mark sensor auto calibration mode function.

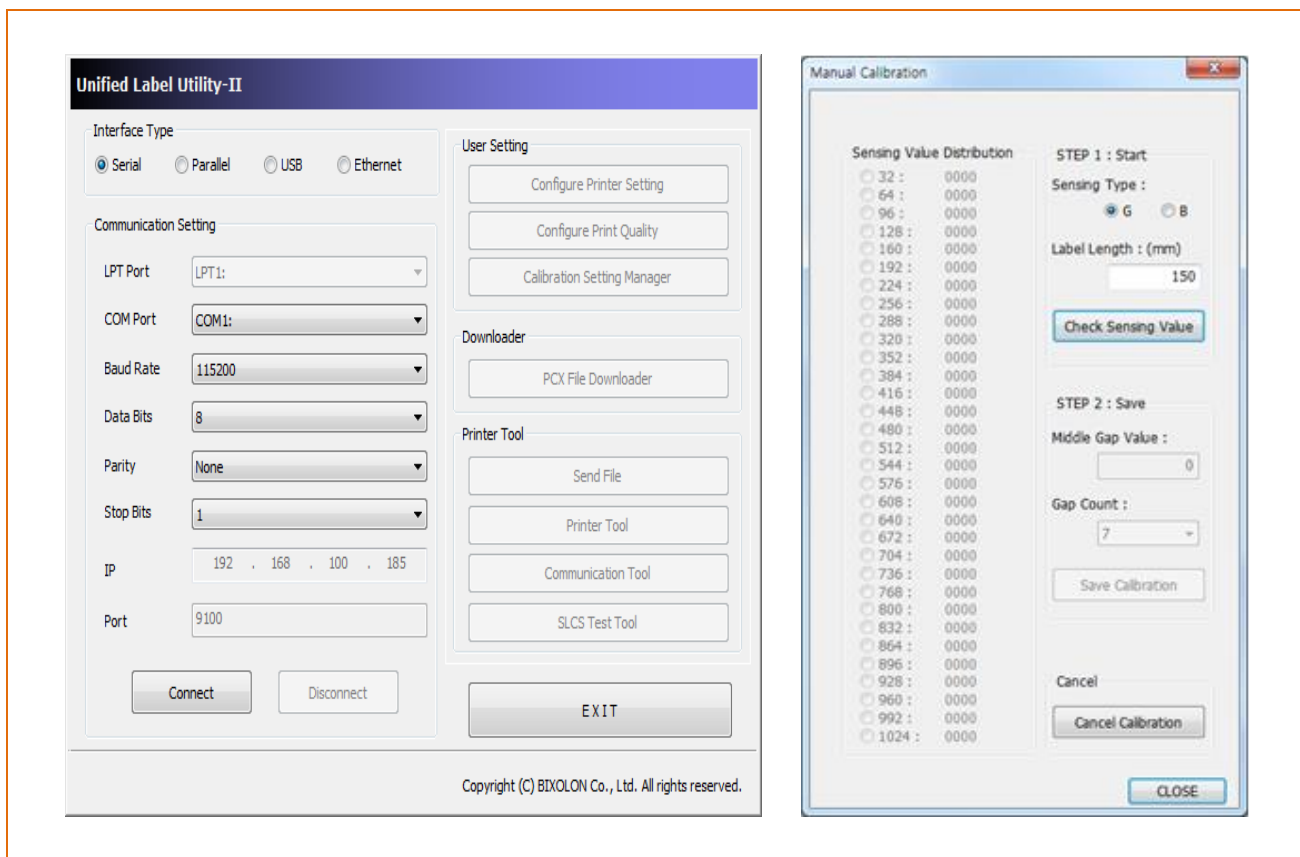
## 5-5 Media Sensor Manual-Calibration

- Manual-calibration of media detection can be used when the printer cannot detect a media gap (or black mark) even after auto-calibration has been executed.

Users can calibrate sensor parameters in detail by using the Unified Label Utility-II program provided by the manufacturer.

The Unified Label Utility-II can be downloaded from the Internet via the BIXOLON website. ([www.bixolon.com](http://www.bixolon.com))

Please make sure the printer is connected and execute the Unified Label Utility-II program. Please the Calibration Setting Manager Button after setting the interface type.



## **XT3-40 Series**

- 1) Select the sensing type and input the label length by millimeter and click “Check Sensing Value” button. Then printer starts calibration.
- 2) Printer will print the scanned values after calibration and the values will appear on the Screen.
- 3) Optimal sensing values will appear in black bold letters on the left of the utility screen and select one of the values and click on “Save Calibration”
- 4) If chosen value does not work properly, please try the other values among the black bold letters.
- 5) To go back to the initial value, please click on “Cancel Calibration”





Contact the customer center if the printer does not enter media sensor manual-calibration mode.

### **5-6 Sensor Sensitivity**

- Use this mode when paper is not detected correctly.

You can adjust the strength of the sensor to fix the paper sensing problem.

Turn the printer off and on to recover to the print ready mode.

In print ready mode the setting menu and move to Sensor → Sensor Sensitivity and press  or  button to run automatically Calibration with the setting value.

\* Please refer Tools Menu Explanation (4-1) for more information.




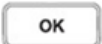
When the setting value is not correct, sensing failure occurs.  
In this case, change the setting value and reattempt.

### **5-7 Data Dump Mode**

- This function can be used to diagnose the communication issues when the printer does not work properly.

In this mode, the received data are not analyzed and printed, instead they are dumped in hex format without processing.

Turn the printer off and on to recover to the print ready mode.

In print ready mode the setting menu and move to Tools → Dump → Dump Enable and press  or  button to run dump mode



\* Please refer Tools Menu Explanation (4-1) for more information.



Contact the customer center if the printer does not enter data dump mode.

### 5-8 Factory Reset

- This function is used to factory reset the printer settings.

- 1) Make sure that media roll has been installed properly.
- 2) In print ready mode the setting menu and move to Tools → Reset and press  or  button to reset the printer to Factory default.
  - \* Please refer Tools Menu Explanation (4-1) for more information.
  - \* The printer will be rebooted automatically.





Contact the customer center if the printer does not enter factory reset function.

### 5-9 SWC (Simple Wi-Fi Connect)

- Connect the printer to a network using SWC(Simple Wi-Fi Connect) mode.
  - \*\* blink rate of "Pulse" is slower than blink rate of "Flash"

- Make sure that media roll has been installed properly.

- 1) In print ready mode the setting menu and move to Interface → WLAN → SWC  
→ Execute SWC and press  or  button to Execute SWC.
- 2) Printer's LCD Display "SWC Mode" indicates that the printer is in SWC Mode.  
You can set network through Host Devices
  - LCD Display: "Preparing..." → "SWC Mode"
- 3) Once the network is not set correctly, LCD will Display Error Message, and try entering SWC Mode again.
  - LCD Display: "Password Error Return to SWC mode"



### **5-10 Print Standby Mode**

#### 5-10-1 About Print Standby Mode

The printed area may become out of range of media if the media is not in the accurate printing position when the print head levers is opened and closed.



The printer is put into print standby mode instead of print ready mode when the print head levers is closed in order to prevent this problem, and it waits for additional user input.

The LED, LCD status in the print standby mode can be as follows.

- STATUS LED: Green Blink
- LCD: STANDBY

The data received during print standby mode will be printed after the printer recovers to print-ready mode.

#### 5-10-2 How to switch the printer from Standby Mode to Print Ready Mode

- Press Pause button() to switch to print ready mode without feeding any media.
- Press Feed button() to feed one page to align the media position and switch to the print ready mode.



Contact the customer center if the printer does not execute print standby mode function.

## 6. Maintenance

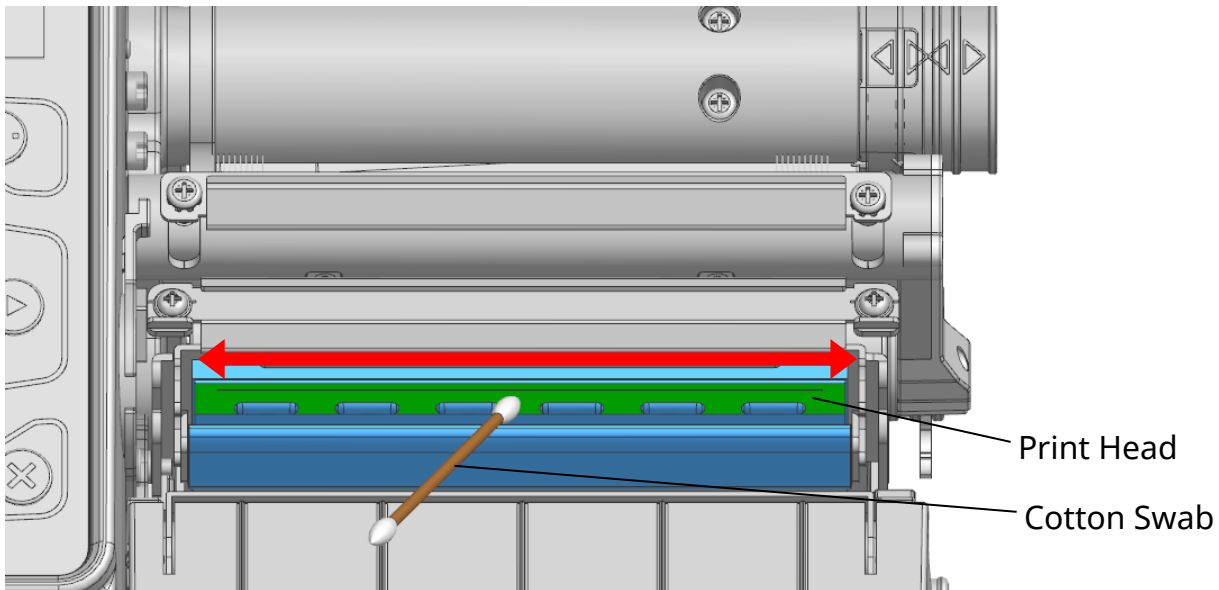
### 6-1 Cleaning Printer

- Due to dust, foreign substances, adhesives, and other contaminants on or inside print head, print quality may be reduced. In this case, clean the printer using the cleaning tools for each area as indicated in the following table.

Area	Tools	Interval
Print Head	Cotton swab dipped in medical alcohol solution	When changing media
Platen Roller	Cloth dipped in medical alcohol solution (Cotton swab)	
Media Sensor		
Ribbon Sensor		
Media Feed Path	Air compressors,	
Ribbon Feed Path	Cloth dipped in medical alcohol solution (Cotton swab)	
Peeler Roller(Optional)	Cloth dipped in medical alcohol solution (Cotton swab)	When changing media
Peeler Sensor(Optional)		
Auto Cutter(Optional)	Air compressors, Cotton swab dipped in medical alcohol solution	When a foreign substance is discovered

### 6-2 Cleaning Printer Head

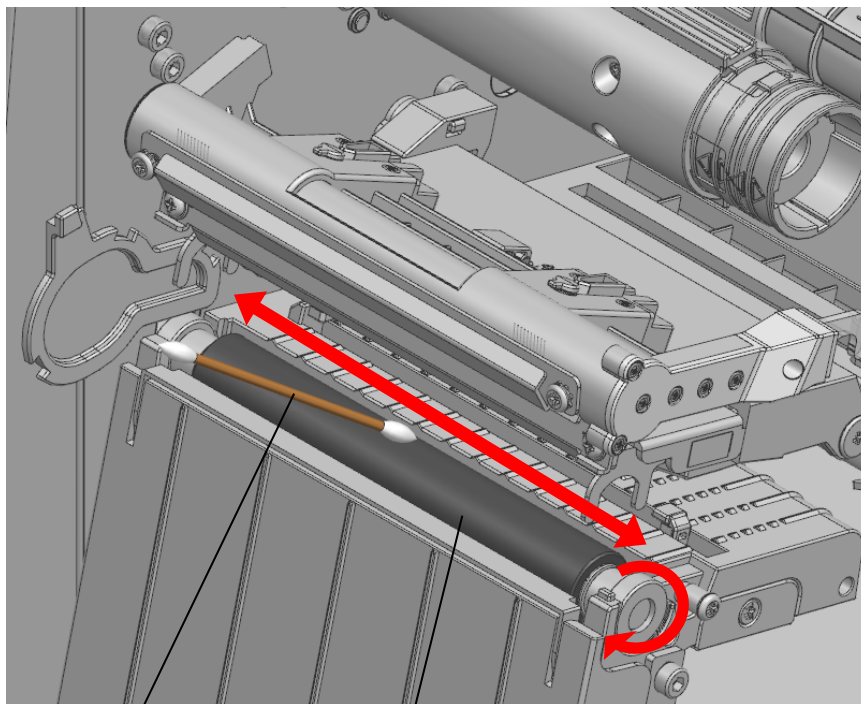
- 1) Open the media cover and print head levers and remove the media and ribbon.
- 2) Clean the print head toward both sides from the center using a cotton swab dipped in medical alcohol.
- 3) After cleaning, use the printer after alcohol has evaporated sufficiently (1 to 2 minutes) and the surface of print head has completely dried up.



- Be sure to clean after turning the printer off.
- Be careful not to leave scratches in the print head  
The printer may be damaged.
- Print head is very hot while the printer is printing, so clean the printer after cooling it sufficiently with power off.
- Do not touch heated area of print-head when cleaning.  
Personal injury may result from static electricity, etc.

### 6-3 Cleaning Platen Roller

- 1) Open the media cover and print head levers and remove the media and ribbon.
- 2) While rotating the roller, remove dust or foreign substances using a dry cloth or cotton swab.
- 3) In case that adhesive substances or other contaminants remain, remove it using a cloth or cotton swab dipped in medical alcohol solution while rotating the roller.
- 4) After cleaning, use the printer after alcohol has evaporated sufficiently (1 to 2 minutes) and the surface of platen roller has completely dried up.



Cotton Swab

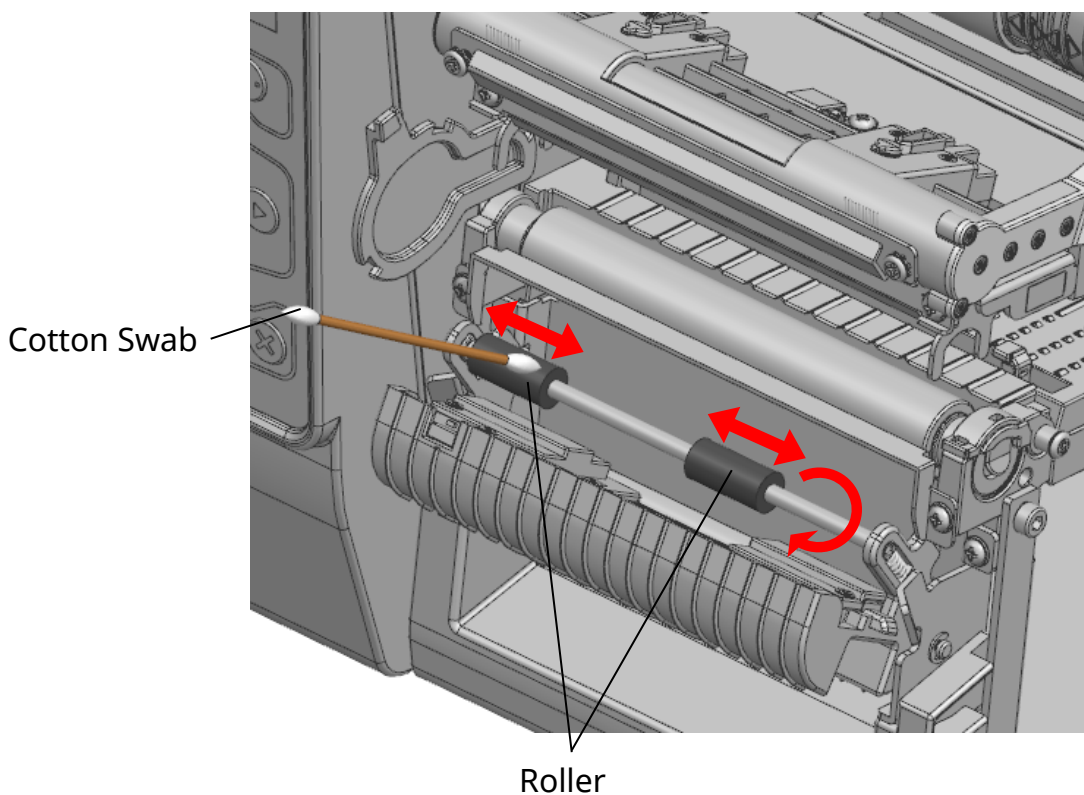
Platen Roller



- Be sure to clean after turning the printer off.
- Be careful not to scratch the roller. The printer may be damaged.

### 6-4 Cleaning Peeler Module (optional)

- 1) Open the media cover, print head levers, and peeler cover and remove the media and ribbon.
- 2) While rotating the roller, remove dust or foreign substances using a dry cloth or cotton swab.
- 3) In case that adhesive substances or other contaminants remain, while rotating the roller, remove it using a cloth or cotton swab dipped in medical alcohol solution.
- 4) After cleaning, use the printer after alcohol has evaporated sufficiently (1 to 2 minutes) and the surface of roller has completely dried up.



- Be sure to clean after turning the printer off.
- Be careful not to scratch the roller. The printer may be damaged.

## 7. Specifications

### 7-1 Printer Specifications

Item		Description
Printer	Printing Method	Thermal transfer Printing
	Dot Density	XT3-40: 203dpi (8 dot/mm) XT3-43: 300dpi (11.8 dot/mm)
	Print Width	XT3-40: Max 108mm (Max 4.25") XT3-43: Max 105.7mm (Max 4.16")
	Print Speed	XT3-40: Max 8ips (Max 203mm/sec) XT3-43: Max 6ips (Max 152mm/sec)
Media	Width	20 ~ 114mm
	Outer Diameter	Max 203mm
	Inner Diameter	25.4~76.2mm (1 ~ 3 Inch)
Ribbon	Length/Width	Max 450m / 40 ~ 110mm (1.6 ~ 4.3 Inch)
	Type	Wax, Wax resin, Resin, Outside, Inside
	Inner Diameter	25.4mm (1 Inch)
AC/DC Adapter	Input Voltage/ Current	100~240V~(±10%), 2.5 A
	Input Frequency	50/60Hz
	Output Voltage/ Current	DC 24V / 4.0A
Usage Conditions	Temperature	5~ 40 °C (Operating) -20 ~ 60 °C (Storage)
	Humidity (except for Media)	10 ~ 80 % RH (Operating) 10 ~ 90 % RH (Storage)



Print speed may vary depending on the data transfer speed and the combination of command.



- **In case of danger, turn off the power to cut the connection.**
- **The power cord must be grounded to ensure safety and reduce electromagnetic interference**

### 7-2 Label Types Specifications

- The label types used with this printer are as follows.
  - Control Labels: PET
  - Other Labels: PP, PET

